



Electric Mini Tank Water Heaters

Use and Care Manual

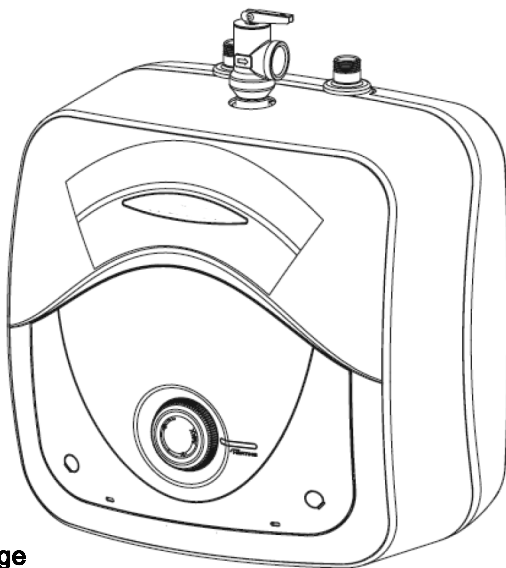
Installation

Start-Up

Maintenance

Parts

Warranty



⚠ WARNING

This manual must only be used by a qualified installer / service technician. Read all instructions in this manual before installing. Perform steps in the given order. Failure to do so could result in substantial property damage, severe personal injury, or death.

California Proposition 65 Warning: This product contains chemicals known to the State of California to cause cancer, birth defects, or other reproductive harm.

NOTICE

The manufacturer reserves the right to make product changes or updates without notice and will not be held liable for typographical errors in literature.

The surfaces of these products contacted by potable (consumable) water contain less than 0.25% lead by weight as required by the Safe Drinking Water Act, Section 1417, and are certified as such by IAPMO.

NOTE TO CONSUMER: PLEASE KEEP ALL INSTRUCTIONS FOR FUTURE REFERENCE.

HOT WATER PIPE ↑

⚠ WARNING ⚠

Install temperature and pressure protective equipment required by local codes. But no less than a combination temperature and pressure relief valve certified as meeting the requirements for Relief Valves and Automatic Gas Shutoff Devices for Hot Water Supply Systems, ANSI Z21 .22, by a nationally recognized testing laboratory that maintains periodic inspection of production of listed equipment or materials. The valve must be oriented, provided with tubing, or otherwise installed so that discharge can exit only within 6 inches above, or at any distance below, the structural floor, and cannot contact any live electrical part.

See instruction manual for more detailed information regarding proper installation and maintenance procedures.

⚠ WARNING ⚠

Do not apply heat to the fitting(s) when making sweat connection(s) to water heater. Sweat tubing to adapters before fitting adapters to water connections of water heater. It is imperative that no heat be applied to the water connections as they may contain a nonmetallic material.

WARNING

HOT WATER CAN PRODUCE 3RD DEGREE BURNS

IN 6 S AT 60°C (140°F)

IN 30 S AT 54°C (130°F).

THERMOSTAT WHERE FACTORY

SET BELOW 51,7°C (125°F).

REPLACE THE MAGNESIUM ANODE EVERY TWO YEARS.

IN CASE OF HARD WATER OR WATER WITH HIGH CHLORIDE

CONTENT, REPLACE THE ANODE EVERY YEAR.

CONTACT QUALIFIED SERVICE PERSONNEL FOR THERMOSTAT

ADJUSTMENT AND/OR ANODE REPLACEMENT.

CAUTION

**PRESSURE RELIEF VALVE
LIMITING THE PRESSURE
TO 1034 kPa (150 P.S.I.)
MUST BE INSTALLED.**

⚠ DANGER ⚠

To reduce the risk of electric shock disconnect from power supply before replacing temperature - limiting device.

CAUTION

To reduce the risk of electric shock or fire use only on a utility supply having a maximum 125/250 volt, three wire system.

⚠ WARNING ⚠

Do not plug in electrical power supply to water heater until tank has been completely filled with water. The heating elements will burn out if not immersed in water. Unplug electrical power supply before draining water heater or removing cover.

NOTICE

The internal parts of this tank have been constructed and tested by the manufacturer to withstand 400°F temperature.

⚠ DANGER ⚠



Water temperature over 125°F can cause severe burns instantly or death from scalds.

Children, disabled and elderly are at highest risk of being scalded.

See instruction manual before setting temperature at water heater.

Feel water before bathing or showering.

Temperature limiting valves are available. See manual.

SPECIAL ATTENTION BOXES

The following defined terms are used throughout this manual to bring attention to the presence of hazards of various risk levels or to important product information.



DANGER

DANGER indicates an imminently hazardous situation which, if not avoided, will result in serious personal injury or death.



WARNING

WARNING indicates a potentially hazardous situation which, if not avoided, could result in personal injury or death.



CAUTION

CAUTION indicates a potentially hazardous situation which, if not avoided, may result in moderate or minor personal injury.

CAUTION

CAUTION used without the safety alert symbol indicates a potentially hazardous situation which, if not avoided, may result in property damage.

NOTICE

NOTICE is used to address practices not related to personal injury.

Foreword

This manual is intended to be used in conjunction with other literature provided with the water heater. This includes all related control information. It is important that this manual, all other documents included in this system, and additional publications be reviewed in their entirety before beginning any work.

Installation should be made in accordance with the regulations of the Authority Having Jurisdiction, local code authorities, and utility companies which pertain to this type of water heating equipment.

Authority Having Jurisdiction (AHJ) – The AHJ may be a federal, state, local government, or individual such as a fire chief, fire marshal, chief of a fire prevention bureau, labor department or health department, building official or electrical inspector, or others having statutory authority. In some circumstances, the property owner or his/her agent assumes the role, and at government installations, the commanding officer or departmental official may be the AHJ.

NOTE: The manufacturer reserves the right to modify product technical specifications and components without prior notice.

For the Installer

This water heater must be installed by qualified and licensed personnel. The installer should be guided by the instructions furnished with the water heater, and by local codes and utility company requirements.

Installations Must Comply With:

Local, state, provincial, and national codes, laws, regulations, and ordinances.

The latest version of the *National Electrical Code, NFPA No. 70*.

Table of Contents

Part 1 - General Safety Information	4	C. Thermal Expansion	10
A. When Servicing the Water Heating System	5	D. Condensation	10
B. Heater Water	5	E. Temperature and Pressure Relief Valve	10
C. Freeze Protection	5	F. Scalding	11
D. Water Temperature Adjustment	6	G. Filling the Heater	12
Part 2 - Prepare the Water Heater	6	Part 4 - Electrical Connection	12
A. Model Overview	6	Part 5 - Installation Checklist	13
B. Locating the Water Heater	6	Part 6 - Operation	13
C. Water Chemistry Requirements	7	A. Starting and Testing	13
D. Technical Specifications and Dimensions	9	B. Thermostat Adjustment	13
Part 3 - Installation Instructions	9	Part 7 - Maintenance	13
A. Mounting the Water Heater	9	A. Removing the Cover	14
1. Wall Mounting	9	B. Draining the Heater	14
2. Floor Mounting	9	C. Removing the Heating Element	14
B. Plumbing	9	D. Inspecting the Anode Rod	14
		E. Descaling the Heating Element	15

Part 8 - Troubleshooting	15
A. Resetting the High Limit Switch	16
B. Checking Thermostat Operation	16
C. Changing the Heating Element	16
D. Changing the Thermostat	16
Part 9 - Replacement Parts	17
Mini Tank Electric Water Heater Limited Warranty	18
Customer Installation Record Form	20

WARNING
IMPORTANT SAFETY INSTRUCTIONS
<p>When using electrical appliances, basic safety precautions to reduce the risk of fire, electric shock, or injury to persons should be followed, including:</p> <ol style="list-style-type: none"> 1. READ ALL INSTRUCTIONS BEFORE USING THIS WATER HEATER. 2. This water heater must be grounded. Connect only to a properly grounded outlet. See Part 4 – Heater Wiring, this manual, for grounding details. 3. Install or locate this water heater only in accordance with the provided installation instructions. 4. Use this water heater only for its intended use as described in this manual. 5. Models 2.5 and 4 come equipped with a power cord. Do not use an extension cord set with this water heater. If no receptacle is available adjacent to the water heater, contact a qualified electrician to have one properly installed. Model 8 must be hard-wired. See installation instructions for details. 6. As with any appliance, close supervision is necessary when used by children. 7. Do not operate this water heater if it has a damaged cord or plug, if it is not working properly, or if it has been damaged or dropped. 8. This water heater should be serviced only by qualified service personnel. Contact the water heater installer or a qualified service agency for examination, repair, or adjustment. 9. Failure to inspect the anode rod at least once a year could cause the tank to fail and leak. This condition is not covered under the manufacturer’s warranty.
SAVE THESE INSTRUCTIONS

Part 1 - General Safety Information

This water heater is approved for indoor installations only and is not intended for use as a pool heater. Heater must have room for service: 24" front, 6" top, 1" left side, 3" right side, and 0" bottom are minimum recommended service clearances. (A combustible door or removable panel is acceptable front clearance.) This water heater has been approved for closet installation and installation on combustible flooring. Do not install directly on carpeting. Install the water heater in a location where temperature and pressure relief valve discharge or a leak will not result in damage to the surrounding area. If such a location is not available, install an auxiliary catch pan.

WARNING
<p>Installer - Read all instructions in this manual before installing. Perform steps in the given order.</p> <p>User - This manual is for use only by a qualified heating installer / service technician. Have this water heater serviced / inspected annually by a qualified service technician.</p> <p>FAILURE TO ADHERE TO THE GUIDELINES ON THIS PAGE CAN RESULT IN SUBSTANTIAL PROPERTY DAMAGE, SEVERE PERSONAL INJURY, OR DEATH.</p> <p>NOTE: If the water heater is exposed to the following, do not operate. Immediately call a qualified service technician.</p> <ol style="list-style-type: none"> 1. Fire 2. Damage 3. Water <p>Failure to follow this information could result in property damage, severe personal injury, or death.</p> <p>NOTE: Obey all local codes. Obtain all applicable permits before installing the water heater.</p> <p>NOTE: Install all system components and piping in such a manner that does not reduce the performance of any fire rated assembly.</p> <p>The manufacturer cannot be responsible for damages caused by improper installation or by failure to follow the instructions in this manual.</p>

⚠ WARNING

DO NOT USE THIS WATER HEATER IF ANY PART HAS BEEN SUBMERGED IN WATER. Immediately call a qualified service technician. The water heater **MUST BE** replaced if it has been submerged. Attempting to operate a water heater that has been submerged could create numerous harmful conditions, such as a potential gas leakage causing a fire and/or explosion, or the release of mold, bacteria, or other harmful particulates into the air. Operating a previously submerged water heater could result in property damage, severe personal injury, or death.

NOTE: Water heater damage due to flood or submersion is considered an Act of God, and IS NOT covered under product warranty.

CAUTION

Do not use this water heater for anything other than its intended purpose (as described in this manual). Doing so could result in property damage and **WILL VOID** product warranty.

High heat sources (sources generating heat 100°F / 37°C or greater, such as stove pipes, space heaters, etc.) may damage plastic components of the water heater as well as plastic vent pipe materials. Such damages **ARE NOT** covered by warranty. It is recommended to keep a minimum clearance of 8" from high heat sources. Observe heat source manufacturer instructions, as well as local, state, provincial, and national codes, laws, regulations and ordinances when installing this water heater and related components near high heat sources.

⚠ DANGER

Hydrogen gas can be produced in a hot water system served by this heater that has not been used for a long period of time (generally 2 weeks or more). Hydrogen gas is extremely flammable. To reduce the risk of injury under these conditions, it is recommended that the hot water faucet be opened for several minutes at the kitchen sink before using any electrical appliance connected to the hot water system. If hydrogen gas is present, there will probably be an unusual sound such as air escaping through the pipe as the water begins to flow. There should be no smoking or open flame near the faucet at the time it is open. Failure to follow these instructions will result in serious personal injury or death.

A. When Servicing the Water Heating System**⚠ WARNING**

Be sure to disconnect electrical power before performing service. Failure to do so could result in electrical shock, property damage, serious personal injury, or death.

To avoid electric shock, disconnect electrical supply before performing maintenance.

NOTE: When inquiring about service or troubleshooting, reference the model and serial numbers from the water heater rating label.

To avoid severe burns, allow water heater and associated equipment to cool before servicing.

NOTICE

Tank failure due to neglecting the anode rod is not covered under warranty. See Maintenance, this manual.

B. Heater Water

Do not use petroleum-based cleaning or sealing compounds in a water heating system. Gaskets and seals in the system may be damaged. This can result in substantial property damage.

Do not use "homemade cures" or "patent medicines". Damage to the water heater, substantial property damage, and/or serious personal injury may result.

C. Freeze Protection

NOTE: Consider piping and installation when determining heater location.

⚠ WARNING

Failure of the water heater due to freeze related damage **IS NOT** covered by product warranty.

⚠ CAUTION

NEVER use any toxic chemical, including automotive, standard glycol antifreeze, or ethylene glycol made for hydronic (non-potable) systems. These chemicals can attack gaskets and seals in water systems, are poisonous if consumed, and can cause personal injury or death.

NOTICE

UNCRATING THE WATER HEATER - Any claims for damage or shortage in shipment must be filed immediately against the transportation company by the consignee.

D. Water Temperature Adjustment

The water heater thermostat has been pre-set at the factory at a temperature equal to or below 125°F (51.7°C) according to UL certification. See Figure 1. If the water heater is going to have a set temperature above 120°F, it is recommended to use an ASSE 1017 rated mixing valve to avoid severe burns or death from scalding temperatures.



Figure 1 - Thermostat

Approximate Time / Temperature Relationships in Scalds	
120°F	More than 5 minutes
125°F	1 1/2 to 2 minutes
130°F	About 30 seconds
135°F	About 10 seconds
140°F	Less than 5 seconds
145°F	Less than 3 seconds
150°F	About 1 1/2 seconds
155°F	About 1 second

Table 1 - Approx. Time / Temperature Relationships in Scalds

⚠ WARNING

Households with small children, disabled, or elderly persons may require a 120°F or lower temperature setting to prevent severe personal injury or death due to scalding.

NOTE: After adjusting the water temperature at the thermostat, allow the water heater enough time to heat the water to temperature. After the water heater has stopped heating, use a thermometer to measure the water temperature at a hot water outlet in the structure.

Part 2 - Prepare the Water Heater

Remove all sides of the shipping crate to allow the heater to be moved into its installation location.

CAUTION

COLD WEATHER HANDLING - If the water heater has been stored in a very cold location (BELOW 0°F) before installation, handle with care until the components come to room temperature. Failure to do so could result in damage to the water heater.

A. Model Overview

The following figures detail specific water heater model components. Some components may ship factory installed. This depends on water heater model.

B. Locating the Water Heater

⚠ WARNING

This water heater is certified for indoor use only. **DO NOT INSTALL OUTDOORS.** Outdoor installations ARE NOT covered by warranty. Failure to install the water heater indoors could result in property damage, severe personal injury, or death.

CAUTION

All water heaters eventually leak. Locate the water heater where any leakage from the relief valve, related piping, tank, or connections will not result in damage to surrounding areas or lower floors of the building. Any water heater should be installed in such a manner that if it should leak the resulting flow of water will not cause damage to the area in which it is installed. National Plumbing codes require a drain pan for any water heater installation. Failure to install one is the sole responsibility of owner and/or installer. Reference UPC 2000 (Uniform Plumbing Code) Section 510 - Protection from Damage or IPC 200 (International Plumbing code) Section 504 - Safety Devices. Leakage damages ARE NOT covered by warranty.

In addition, water leak detection devices and automatic water shutoff valves are readily available at plumbing supply houses. **IT IS HIGHLY RECOMMENDED BY THE MANUFACTURER TO INSTALL WATER LEAK DETECTION DEVICES AND AUTOMATIC SHUTOFF VALVES IN ANY WATER HEATER INSTALLATION WHERE A LEAKAGE OF WATER COULD RESULT IN PROPERTY DAMAGES.**

1. Installation Area (Mechanical Room) Operating Conditions

- Ensure ambient temperatures are higher than 32°F / 0°C and lower than 104°F / 40°C
- Avoid continuously high levels of humidity
- Never close existing ventilation openings

NOTE: When installing in a zero clearance location, it may not be possible to read or view some product labeling. It is recommended to make note of the water heater model and serial number.

NOTE: A combustible door or removable panel is acceptable front clearance.

CAUTION

The service life of the water heater's exposed metallic surfaces, such as the junction box, is directly influenced by proximity to damp and salty marine environments. In such areas higher concentration levels of chlorides from sea spray coupled with relative humidity can lead to degradation of water heater components and cause premature water heater failure. Such failures ARE NOT covered by warranty.

Failure of the water heater or components due to incorrect operating conditions IS NOT covered by product warranty.

WARNING

Incorrect ambient conditions can lead to damage to the heating system and put safe operation at risk. Ensure that the installation location adheres to the information included in this manual. Failure to do so could result in property damage, serious personal injury, or death.

2. Choose a location for the water heater as centralized to the piping and electrical system as possible. Also, locate the water heater and domestic water piping where it will not be exposed to freezing temperatures. All piping should be insulated. Additionally, place the water heater so that the drain, controls, and inlets/outlets are easily accessible.

NOTE: To save on heating costs and improve energy efficiency keep the distance between the water heater and fixtures to a minimum to reduce heat loss from excess piping and keep friction loss at a minimum. Ensure all water heater piping is properly insulated to minimize heat loss.

NOTE: If you do not provide the minimum recommended service clearances it might not be possible to service the water heater without removing it from the space.

NOTE: In the State of California, the water heater must be braced, anchored, or strapped to avoid moving during an earthquake. Contact local utilities for code requirements in your area. Visit <http://www.dsa.dgs.ca.gov> or call 1-916-445-8100 and request instructions.

3. Check area around water heater. Remove any combustible materials, gasoline, and other flammable liquids.

DANGER

This water heater must not be located near flammable liquids such as gasoline, butane, liquefied propane, adhesives, solvents, paint thinners, etc., as the controls of this water heater could ignite these vapors and cause an explosion resulting in property damage, severe personal injury, or death.

WARNING

This water heater must be installed upright in the vertical position as described in this manual. DO NOT attempt to install this water heater in any other orientation. Doing so will result in improper water heater operation and property damage, and could result in serious personal injury or death.

4. If the water heater is to replace an existing water heater, check for and correct any existing system problems such as:

- System leaks
- Location that could cause the system and water heater to freeze and leak
- Incorrectly-sized expansion tank

5. This water heater must be installed vertical on a level surface.

C. Water Chemistry Requirements

CAUTION

Chemical imbalance of the water supply may affect efficiency and cause severe damage to the appliance and associated equipment. Water quality must be professionally analyzed to determine whether it is necessary to treat the water. Various solutions are available to adjust water quality. Adverse water quality will affect the reliability of the system. In addition, operating temperatures above 135°F will accelerate the build-up of lime scale and possibly shorten appliance service life. Failure of an appliance due to lime scale build-up, low pH, or other chemical imbalance IS NOT covered by the warranty.

The water must be potable, free of corrosive chemicals, sand, dirt, and other contaminants. It is up to the installer to ensure the water does not contain corrosive chemicals or elements that can damage the heat exchanger. Potable water is defined as drinkable water supplied from utility or well water in compliance with EPA secondary maximum contaminant levels (40 CFR Part 143.3). If the water contains contaminants higher than outlined by the EPA, water treatment is recommended and additional, more frequent maintenance may be required.

If you suspect that your water is contaminated in any way, discontinue use of the appliance and contact an authorized technician or licensed professional.

Water pH between 6.5 and 8.5

- pH levels below 6.5 can cause an increase in the rate of corrosion. pH of 8.5 or higher can potentially cause lime scale build-up
- Maintain water pH between 6.5 and 8.5. Check with litmus paper or have it chemically analyzed by a local water treatment company.
- If the pH is not between 6.5 and 8.5, consult a local water treatment company for solutions.

Hardness between 4 grains (70 mg/L) and 20 grains (350mg/L):

- The appliance must not be supplied with water of hardness less than 4 grains (70 mg/L), nor with especially hard water (greater than 20 grains (350mg/L)); we recommend installing a water softener, properly calibrated and controlled - do not allow the residual hardness to fall below 9 grains (150mg/L).

Chloride concentration less than 100 ppm (mg/L)

- Do not fill appliance or operate with water containing chlorides in excess of 100 ppm (mg/L).
- Using chlorinated fresh water should be acceptable as levels are typically less than 5 ppm (mg/L).
- Do not connect the appliance to directly heat swimming pool or spa water.

Total Dissolved Solids (TDS) less than 500 ppm (mg/L)

- Total dissolved solids are minerals, salts, metals, and charged particles that are dissolved in water.
- The greater the amounts of TDS present, the higher the corrosion potential due to increased conductivity in the water.
- If using softened water to fill the appliance, it is still possible to have high TDS. This water can be corrosive. Consult local water treatment companies for other treatment solutions to reduce this affect.

Water conductivity not higher than 1200 µS / cm

***NOTE:** To promote appliance service life, it is strongly recommended to follow the maintenance procedures in this manual.

CAUTION

Failure of electric elements due to lime scale build-up on the heating surface, low pH, or other imbalance IS NOT covered by the warranty.

NOTES:

1. Minimum pipe size should match connection size. Upsize pipe accordingly if greater flow is required.
2. A thermal expansion tank suitable for potable water must be sized and installed within this piping system between the backflow preventer and the cold water inlet.
3. All circulators should have an integral flow check.
4. Drains and check valve between unit and storage tank will assist in purging air from system.
5. These drawings are meant to demonstrate system piping only. The installer is responsible for all equipment and detailing required by local codes. In Massachusetts, you must install a vacuum relief valve per 248 CMR.
6. Mixing valve application is optional, but recommended to help prevent scalding. See Part 3 for more information.
7. It is highly recommended by the manufacturer to install water leak detection devices and automatic shutoff valves in any water heater installation where a leakage of water could result in property damages.

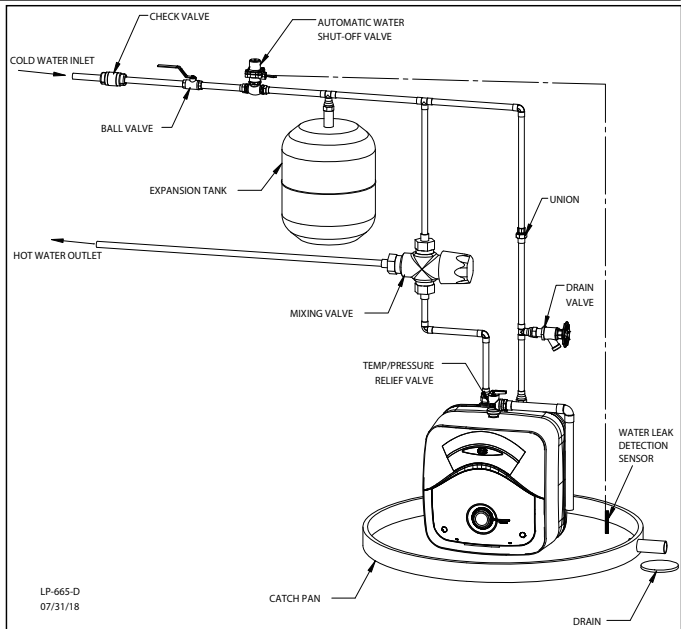


Figure 2 - Installation Detail

D. Technical Specifications and Dimensions

Technical Data	Units	2.5	4	8
Tank Capacity	Gallons	2.7	4.0	8.0
Dimensions	Inches	14 ^{1/4} "W x 14 ^{1/4} "H x 10 ^{3/4} "D	14 ^{1/4} "W x 14 ^{1/4} "H x 12 ^{3/4} "D	17 ^{1/2} "W x 17 ^{1/2} "H x 15 ^{1/4} "D
Weight (Empty)	lbs	15.5	17.6	29.5
Maximum Water Pressure	psi	150		
Recovery Rate (90°F Rise)	gal/h	6.8		9
Temperature Range	°Fahrenheit	65 - 161		65 - 161
Water Connections	NPT	1/2" NPT		3/4" NPT Nipple Adapters Included*
Relief Valve		Installed	Installed	Included, not Installed
Nominal Voltage (1 Phase)	VAC	110 / 120 (all Models)		
Nominal Current	Amps	12.0		16.7
Power at 120 VAC	Watts	1440		2000
Electrical Connection		Plug In		Hard Wired

Table 2 - Technical Specifications - *Nipple Adaptors Included in the Box

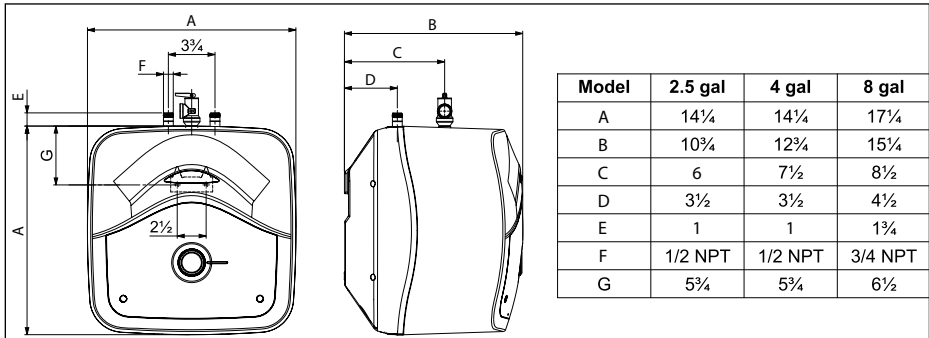


Figure 3 - Dimensional Drawing

Part 3 - Installation Instructions

These water heaters are designed to be installed under the sink.

A. Mounting the Water Heater

1. Wall Mounting

- Fasten the supplied mounting bracket to the wall.

NOTICE

Use screws suitable for the wall material and the weight of the water heater. Failure to do so could result in property damages and damage to the water heater. Such damages ARE NOT covered by product warranty.

- Hang the water heater on the bracket.
- Tug down on the water heater to ensure that both "fingers" of the bracket are seated in the mounting slots.

2. Floor Mounting

The water heater can be installed on the floor. Install the included adhesive rubber floor mounting feet onto the bottom of the water heater. See the rubber feet installation instructions included in the pack.

B. Plumbing

It is mandatory that all plumbing be done in accordance with federal, local, and state plumbing codes and practices. Failure to properly install the water heater WILL VOID the warranty. It is also necessary to use both thread tape and pipe dope on all mechanical plumbing connections.

Install unions on the hot and cold water connections to easily disconnect the water heater for servicing.

- Connect the cold water inlet pipe to the inlet tapping (marked with a blue ring).
- Ensure an isolation valve is installed on the cold water supply to the water heater.
- Connect the hot water outlet pipe to the outlet tapping (marked with a red ring).

CAUTION

Do not apply heat to the Hot or Cold water heater connections. If sweat connections are used, sweat tubing to the adapter before fitting adapter to the water connections on the heater. Any heat applied to the water heater connections will permanently damage the dip tube and/or heat traps. Damages due to improper installation practices ARE NOT covered by warranty.

Failure of electric elements due to lime scale build-up on the heating surface, low pH, or other imbalance IS NOT covered by the warranty.

C. Thermal Expansion

A check valve may be installed in the cold water inlet line as a separate backflow preventer, or may be part of a pressure reducing valve, water meter, or water softener. An “**open water system**” refers to a system without a check valve. A “**closed water system**” refers to a system with a check valve installed in the cold water inlet line. As water is heated, it expands in volume and increases pressure within the water system. This action is referred to as “**thermal expansion**”. In an open water system, expanding water which exceeds the capacity of the system flows back into the city main where pressure is easily dissipated.

A closed water system prevents expanding water from flowing back to the city main. The resulting thermal expansion can rapidly increase pressure in the water heater and system piping. This rapid pressure increase can exceed the setting of the pressure relief valve, causing it to operate during each heating cycle, resulting in discharge from the T&P. This rapid and repeated expansion and contraction of components in the system can cause premature failure of system components, including the relief valve and possibly the water heater. Replacing the relief valve **will not** correct thermal expansion.

There are two recommendations to prevent this from happening:

1. Install a potable diaphragm-type hot water expansion tank to offset thermal expansion. Expansion tanks are designed with an air cushion built in that compresses as system pressure increases, thereby relieving the overpressure condition and eliminating repeated operation of the relief valve. This expansion tank should be installed in the cold water line between the water heater and check valve, and must be sized for the entire water volume of the hot water system. The expansion tank must have a minimum capacity of 1.5 gallons for every 50 gallons of stored water.
2. Install a 125 PSI pressure relief valve in the cold water supply line. Make sure the discharge of this valve is directed to an open drain and protected from freezing. Contact the local water supplier or plumbing inspector for information on how to control this situation. Do not plug the temperature and pressure relief valve.

Other methods of controlling thermal expansion are available. **Check with the local water utility to determine if a check valve exists in the cold water inlet line.** Contact your installing contractor, water supplier, or plumbing inspector for additional information regarding thermal expansion.

D. Condensation

Condensation can form on the water heater when it is first filled with water, and may also occur with a heavy water draw and very cold inlet water temperature. This condition is not unusual and will disappear as the water becomes heated. However, if the condensation should continue, examine the piping and fittings for possible leaks.

NOTE: Insulating both the cold water inlet and hot water outlet pipes will reduce the opportunity for condensation on the water heater piping.

E. Temperature and Pressure Relief Valve

For protection against excessive pressures and temperatures in this water heater, install the supplied temperature and pressure relief valve certified by a nationally recognized testing laboratory that maintains periodic inspection of production listed equipment or materials, as meeting the requirements for *Relief Valves and Automatic Gas Shutoff Devices for Hot Water Supply Systems, ANSI Z21.22B / CSA 4.4-M99*. The supplied temperature and pressure relief valve is marked with a maximum set pressure (150 psi) that does not exceed the marked maximum working pressure of the water heater (150 psi). Install the T&P valve in the opening provided and marked for this purpose on the water heater, and orient it or provide tubing so that any discharge from the valve will exit at least 6" above the structural floor. The relief line cannot be in contact with any live electrical parts. The discharge opening must not be blocked or reduced in size under any circumstances.

National Plumbing codes require a drain pan for any water heater installation. Failure to install one is the sole responsibility of owner and/or installer. Reference UPC 2000 (Uniform Plumbing Code) Section 510 - Protection from Damage or IPC 200 (International Plumbing code) Section 504 - Safety Devices.

⚠ WARNING

Do not thread a cap or plug into the relief valve or relief valve line under any circumstances! Explosion and property damage, serious injury, or death may result.

To avoid water damage or scalding due to relief valve operation:

- Discharge line must be connected to relief valve outlet and run to a safe place of disposal. Terminate the discharge line in a manner that will prevent possibility of severe burns or property damage should the relief valve discharge.
- Discharge line must be as short as possible and the same size as the valve discharge connection throughout its entire length.
- Discharge line must pitch downward from the valve and terminate at least 6" above the floor drain, making discharge clearly visible.
- The discharge line shall terminate plain, not threaded, with a material serviceable for temperatures of 375°F or greater.
- Do not pipe discharge to any location where freezing could occur.
- No valve may be installed between the relief valve and heater or in the discharge line. Do not plug or place any obstruction in the discharge line.
- Test the operation of the relief valve after filling and pressurizing the system by lifting the lever. Make sure the valve discharges freely. If the valve fails to operate correctly, immediately replace with a new properly rated relief valve.
- Test T&P valve at least once annually to ensure the waterway is clear. If valve does not operate, turn the heater "off" and call a plumber immediately.
- Take care whenever operating relief valve to avoid scalding injury or property damage.

FAILURE TO COMPLY WITH THE ABOVE GUIDELINES COULD RESULT IN FAILURE OF RELIEF VALVE OPERATION, RESULTING IN POSSIBILITY OF SUBSTANTIAL PROPERTY DAMAGE, SEVERE PERSONAL INJURY, OR DEATH.

RE-INSPECTION OF T&P RELIEF VALVES: T&P valves must be inspected AT LEAST ONCE EVERY THREE YEARS, and replaced if necessary, by a licensed plumbing contractor or qualified service technician to ensure that the product has not been affected by corrosive water conditions and to ensure that the valve and discharge line have not been altered or tampered with illegally. Certain naturally occurring conditions may corrode the valve and its components over time, rendering the valve inoperative. Such conditions can only be detected if the valve and its components are physically removed and inspected. **Do not attempt to conduct an inspection on your own.** Contact your plumbing contractor for a re-inspection to assure continued safety.

FAILURE TO RE-INSPECT THE T&P VALVE AS DIRECTED COULD RESULT IN UNSAFE TEMPERATURE AND/OR PRESSURE BUILD-UP WHICH CAN RESULT IN PROPERTY DAMAGE, SERIOUS PERSONAL INJURY, OR DEATH.

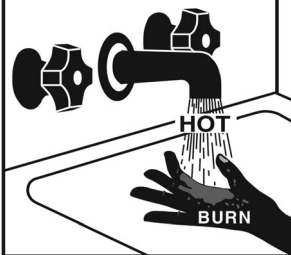
F. Scalding

This water heater can deliver scalding water. Be careful whenever using hot water to avoid scalding injury. Certain appliances such as dishwashers and automatic clothes washers may require increased water temperatures. By setting the thermostat on this heater to obtain the increased water temperature required by these appliances you may create the potential for scald injury.

To protect against injury, install a mixing valve in the water system. This valve will reduce point of use discharge temperatures by mixing cold and hot water in branch supply lines. Such valves are available from your local plumbing supplier.

Table 3 details the relationship of water temperature and time with regard to scald injury and may be used as a guide in determining the safest water temperature for your applications.

⚠ DANGER



Water temperature over 125°F can cause severe burns instantly or death from scalds.

Children, disabled and elderly are at highest risk of being scalded.

See instruction manual before setting temperature at water heater.

Feel water before bathing or showering.

Temperature limiting valves are available, see manual.

⚠ WARNING

An ASSE 1017 or ASSE 1070 temperature limiting or mixing valve is recommended in installations servicing disabled or elderly persons, or children. Mixing valves do not eliminate the risk of scalding.

To avoid scalding:

- Set the water heater set point temperature as low as possible.
- Feel water before bathing or showering.
- If thermostatic valves are required, use devices specifically designed for such purpose. Install these devices in accordance with instructions provided by the manufacturer.

Failure to install a temperature limiting or mixing valve and follow these instructions could result in property damage, severe personal injury, or death due to scalds.

G. Filling the Heater

- Make certain any drain valves in the system are completely closed.
- Open the shut-off valve in the cold water supply line.
- Open the hot water faucets to allow air to vent from the heater and piping.
- Allow sufficient time for the heater to completely fill with water.
- Check for leaks.

CAUTION

When filling the water heater, open a hot water tap to release air in the tank and piping. The tank must be full of water before the heater is turned on. Failure to ensure the water heater is full before turning it on could result in damage to the water heater and other property damages. Such damages ARE NOT covered by water heater warranty.

Part 4 - Electrical Connection

CAUTION

Tank must be full of water before the power is turned on. The heating element will be damaged if energized for even a short time while tank is dry. Failures due to "dry-firing" ARE NOT covered by warranty.

The voltage requirement and dedicated wattage load for the heater is specified on the water heater rating label. Consult your local power company to determine if your electrical service is adequate for the additional load of the heater.

The 8 Model must be hard wired. The 8 Model needs to be wired with 12 GA wire to a 20 amp branch circuit. All wiring must conform to local code and the National Electric Code, and should be done by a qualified licensed electrician or the local electric utility. See Figure 4, A and B.

- Unscrew the junction box cover and remove it.
- Insert 12 AWG wire through the conduit into the junction box and secure with conduit strain relief (not supplied).
- Connect the wires and screw on the cover of the junction box.
- Make appropriate wiring connections to the water heater per the National Electric Code.
- The unit must be grounded with supplied grounding cable inside the junction box.
- Secure the junction box cover once wiring connections have been made.

When the 8 Model is not within sight of the electrical circuit breakers, a circuit breaker lockout or additional local means of disconnection for all non-grounded conductors must be provided that is within sight of the appliance (Ref. NEC 422.31).

⚠ WARNING

Be sure to ground the water heater. Failure to do so could result in property damage, severe personal injury, or death.

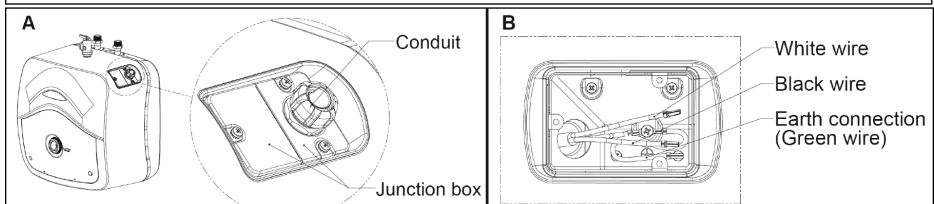


Figure 4 - 8 Model Wiring

Part 5 - Installation Checklist

Water Heater Location	Yes	No
Close to area of heated water demand		
Indoors and protected from freezing temperatures		
Area free of flammable vapors		
Provisions made to protect area from water damage		
Sufficient room to service heater		
Relief Valve	Yes	No
Temperature and Pressure Relief Valve properly installed and discharge line run to open drain		
Discharge line protected from freezing		
Wiring	Yes	No
Power supply voltage agrees with water heater rating plate		
Branch circuit wire and fusing or circuit breaker of proper size		
Electrical connections tight and unit properly grounded		
Water Supply	Yes	No
Water heater completely filled with water BEFORE operating the unit		
Air purged from water heater and piping		
Water connections tight and free of leaks		

Table 3 - Installation Checklist

Part 6 - Operation

CAUTION

Tank must be full of water before the power is turned on. The heating element will be damaged if energized for even a short time while tank is dry. Failures due to "dry-firing" ARE NOT covered by warranty.

A. Starting and Testing

For models not fitted with a switch:

- Supply power to the water heater by plugging in the power cord (2.5 and 4 Models) or turning on the circuit breaker (8 Model).
- If the light does not turn on, turn the control knob in a clockwise direction.
- The light will turn on until the water temperature has reached the thermostat temperature setting. The light will come back on any time the water temperature inside the tank drops below the thermostat setting.

B. Thermostat Adjustment

The temperature of the hot water is adjusted by rotating the knob (M, see Figure 5) located on the front cover.

- Turn the knob clockwise to increase temperature.
- Turn the knob counterclockwise to decrease temperature.

Part 7 - Maintenance

WARNING

Do not attempt to repair this water heater yourself. Call a qualified service technician for assistance. Always turn off the power supply to the heater prior to servicing or draining the heater. Failure to do so could result in property damage, severe personal injury, or death.

NOTICE

For most of these maintenance operations, the water will have to be drained from the heater. For all of these operations, the power cord should be disconnected (2.5 or 4 Models) or the power turned off at the circuit breaker (8 Model), and the front cover removed.

A. Removing the Cover

- Pry off the round knob cover plate (Figure 5, M) with a small flat head screwdriver.
- Pry off the screw covers (Figure 5, V) with a small flat head screwdriver.
- Remove the Phillips screws.
- The cover (Figure 5, C) can now be removed by pulling out its left hand edge. When reassembling, work in the opposite way, being careful to insert the tongue of the cover into the slot.

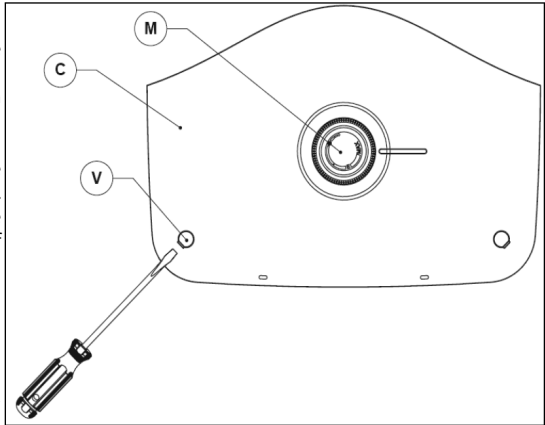


Figure 5 - Water Heater Cover and Thermostat Detail

B. Draining the Heater

If the heater has been installed with flexible hoses:

- Shut off the power supply.
- Turn the heater upside down over a sink to drain the water out of it.

The water heater can also be emptied by:

- Siphoning through the inlet side hose.
- Keep a hot water faucet open while siphoning.

If the heater has been installed with rigid piping:

- Siphon the water out through any lower service valve on the inlet side.
- Keep a hot water faucet open while siphoning the water out.

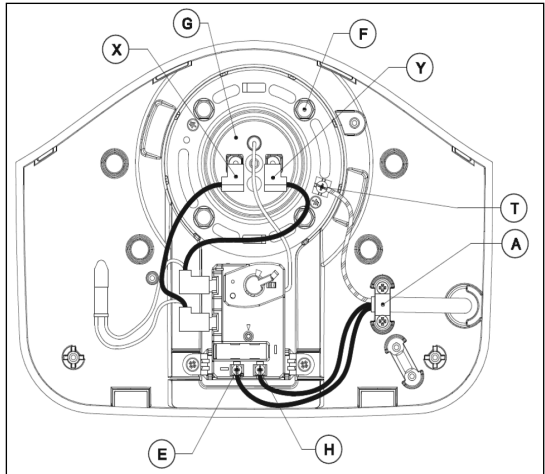


Figure 6 - Open Heater Cover Detail

C. Removing the Heating Element

- Shut off the power supply and drain the water heater.
- Remove the front cover plate. Disconnect terminals X, Y, and T. See Figure 6.
- Unscrew the four (4) heating element retaining nuts (Figure 6, F).
- Remove the element (Figure 6, G).

D. Inspecting the Anode Rod

The purpose of the anode rod (Figure 7, N) is to protect the tank against corrosion. The anode rod must be inspected once a year to determine whether it requires replacement.

To access the anode rod, the heating element must be removed. See Removing the Heating Element above. Upon inspection, the anode rod surface should appear smooth. If the rod surface appears pitted, bumpy, rusty, or if the rod is missing completely, then it must be replaced.

Original anode rod sizes:

- 2.5 and 4 Models: length 6 1/2", diameter 5/8"
- 8 Model: length 8 1/4", diameter 5/8"

Certain installations may require more frequent replacement of the anode rod:

- Recirculation applications;
- Poor water quality;
- Galvanic / Electrolytic corrosion;
- High flow applications

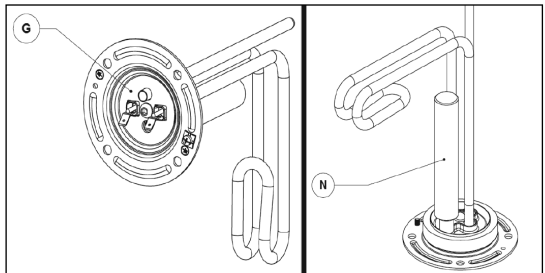


Figure 7 - Heating Element and Anode Rod Detail

Rusty water is usually an indication that the anode rod requires replacement. If rusty water is present, examine the anode rod immediately and replace as needed. In the event of poor water quality, consult a local water treatment professional for water treatment options. Always ensure the water heater is grounded. Damage resulting from poor water quality or failure to replace the anode rod is not covered under the manufacturer's warranty. For additional questions, please contact Technical Support.

To change the anode rod:

1. Turn off the power supply and drain the heater (see Draining the Heater).
2. Remove the heating element (see previous section).
3. Unscrew the anode rod from threaded connection.
4. Remove and replace the anode rod (Figure 7, N).
5. Reinstall the heating element.
6. Refill tank with water and purge air before restoring power.

E. Descaling the Heating Element

Scale deposits can affect the heating capability of the element. Heavy scale can even cause damage to the element. The element can be descaled either chemically or manually.

- Soak the element in white vinegar or other food grade descaling solution approved for use in potable water systems.
- Once descaled, rinse well with a fresh water / baking soda solution.

The element can also be descaled manually:

- After the element has dried, use a soft brush (non-metallic to prevent damaging the stainless steel sheath) on the element.
- Brush the dried minerals off.

Replace the anode rod if it is noticeably deteriorated or considerably smaller than described in Inspecting the Anode Rod.

Reinstall the element after descaling. Ensure the element gasket is installed and that the element is rewired correctly.

CAUTION

Ensure the tank has been refilled with water before restoring power to the water heater. Failures due to "dry-firing" ARE NOT covered by warranty.

Part 8 - Troubleshooting

Problem	Solution
Water Does Not Get Hot	Ensure the power supply is on and working
	If light does not come on, check that the high limit reset button is pushed in. Follow steps to reset the switch, this manual.
	If the indicator light works properly but temperature does not get hot at the tap, test for a plumbing crossover. Shut off the cold supply to the heater and open the hot water tap. There should be no water flowing. Any continued flow indicates a crossover which will affect the temperature and need to be corrected.
	Call a qualified service technician to test the resistance of the heating element (8-10 ohms). Heating element should be replaced if readings are outside these values.
Light Not On	If the light does not come on, but the water gets hot, check for faulty bulb.
	Check that the high limit reset button is pushed in. Follow steps, this manual.
Brown Water	Brown or rusty water indicates a "spent" anode rod and possible deterioration of the tank body. Check anode rod. See instructions, this manual. Inspect the tank for leaks.
Water Odor	Smelly water could be due to an unusual reaction between local water and the heater's anode rod. Check anode rod. See instructions, this manual. Failure to do so may result in damage to the tank and leaks.
Leaks	Check water fittings and T&P fitting on top of tank. Remove front cover and inspect heating element gasket.
	If tank is leaking, review warranty to see if heater is still within warranty period.

Table 4 - Troubleshooting

⚠ WARNING

The risk of scald injury increases as you increase water temperature. A lower setting is more economical and reduces the risk of scalding. Use a water tempering or mixing valve and extreme caution when using hot water to avoid scald injury. Consult codes for conformance. Failure to follow the instructions in this warning statement could result in serious personal injury or death from scalds.

Be sure to disconnect electrical power before performing service. Failure to do so could result in electrical shock, property damage, serious personal injury, or death.

CAUTION

If draining of the water heater is necessary, open the T&P valve or a hot water tap to prevent vacuum buildup in the tank and piping.

A. Resetting the High Limit Switch

Occasionally, the high temperature limit shut off device may trip the reset. This occurs when water temperature exceeds 190°F. The shut-off device may also trigger due to a power outage or electrical storm.

To reach the thermostat:

- Disconnect the power cord (or shut off the circuit breaker - 8 Model) and remove the front cover.
- Firmly press the reset button with the tip of a ball point pen or similar object. See Figure 8, B.

A click indicates the reset was tripped.

- Reconnect the power.
- Check the operation of the thermostat. See the following section.

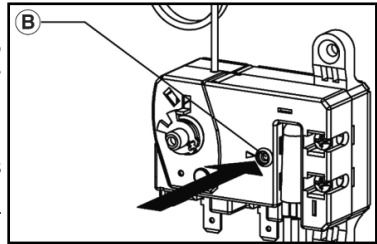


Figure 8 - High Limit Switch Reset Detail

CAUTION

Call a technician if the high limit needs to be reset frequently.

B. Checking Thermostat Operation

To check thermostat operation:

- Turn the temperature dial from high to low. If the red light does not turn off on the low setting, turn off the power supply and call a qualified service technician to replace the thermostat.
- If the red light does go off, the thermostat is working properly.
- Turn the dial to the desired setting. **NOTE:** A lower setting is more economical and reduces the risk of scalding.
- Replace the cover plate.

NOTE: After adjusting the water temperature at the thermostat, allow the water heater enough time to heat the water to temperature. After the water heater has stopped heating, use a thermometer to measure the water temperature at a hot water outlet in the structure.

C. Changing the Heating Element

- Turn off the power supply and drain the water heater (see procedure, this manual).
- Remove heating element (see procedure, this manual).
- Install new element with gasket, making sure the gasket and element are positioned correctly. Tighten the retaining nuts and wire connections.
- Ensure the thermostat temperature sensor is inserted into the well located on the element assembly and secured with a black rubber grommet.
- Refill the tank with water before restoring power.

D. Changing the Thermostat

- Turn off the power supply.
- Disconnect the two (2) wire connectors on the thermostat.
- Loosen the two (2) brass screws on the right side of the thermostat and pull the wires out.
- Unscrew and remove the two (2) Phillips screws holding the thermostat onto the tank.
- Install the new thermostat and re-attach the wiring and screws.
- Ensure the thermostat temperature sensor is inserted into the well located on the element assembly and secured with black rubber grommet.

Part 9 - Replacement Parts

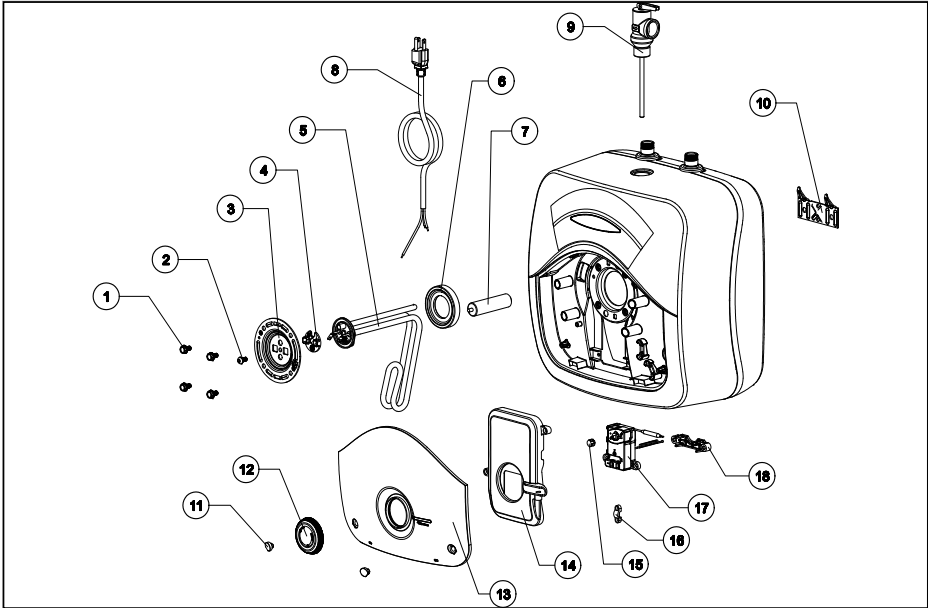


Figure 9 - Replacement Parts

Item #	Description	Part #			Item #	Description	Part #		
		Model					Model		
		2.5	4	8			2.5	4	8
1	Screw M6x12 (flange fixing)	65114656	65114656	65114656	10	Wall Hanging Bracket	570341	570341	570341
2	Screw M6x12 (element fixing)	993000	993000	993000	11	Screw cover	65118195	65118195	65118195
3	Flange	65115359	65115359	65115359	12	Knob	65118186	65118186	65118186
4	Faston protection	65118180	65118180	65118193	13	Plastic cover	65118196	65118196	65118197
5	Heating element	65118181	65118182	65118194	14	Plastic protection	65118189	65118189	65118190
6	Heating element gasket	65116115	65116115	65116115	15	Thermostat lever	570029	570029	570029
7	Magnesium anode	65103768-01	65103768-01	977127-01	16	Cable clip	65150321	65150321	65150321
8	Power cable	65118183	65118183	65118184	17	TBSB Wired Thermostat	65118191	65118192	65118192
9	T&P Valve 3/4"	65150323	65150323	65150323	18	Support for TBSB Thermostat	65115134	65115134	-----

Table 5 - Replacement Part Numbers

Mini Tank Electric Water Heater Limited Warranty

The manufacturer warrants each small capacity point of use electric water heater and its components to be free from defects in materials and workmanship according to the following terms, conditions, and time periods. UNLESS OTHERWISE NOTED THESE WARRANTIES COMMENCE ON THE DATE OF INSTALLATION. This limited warranty is only available to the **original consumer purchaser** (hereinafter "Owner") of the water heater, and is non-transferable.

WARRANTY PERIODS

Mini Tank Electric Water Heater	Parts	Tank
	Two (2) Years	Six (6) Years

COVERAGE

A. During the first two (2) years after the original date of installation the manufacturer warrants that it will repair or replace, at its option, any defective or malfunctioning component of the water heater. Replacement components will be warranted for ninety (90) days.

B. Should a defect or malfunction result in a leakage of water from the water heater within the first six (6) years after the original date of installation due to defective material or workmanship, malfunction, or failure to comply with the above warranty, with such defect or malfunction having been verified by an authorized representative of the manufacturer, the manufacturer will repair or replace, at its option, the defective or malfunctioning water heater. Replacements will be of the nearest comparable model available at the time of replacement. The replacement water heater will be warranted for the unexpired portion of the applicable warranty period of the original water heater.

C. In the event of a leakage of water of a replacement water heater due to defective material or workmanship, malfunction, or failure to comply with the above warranty, the manufacturer reserves the right to refund to the Owner the published wholesale price available at the date of manufacture of the original water heater.

D. If government regulations, industry certification, or similar standards require the replacement water heater or component(s) to have features not found in the defective water heater or component(s), the Owner will be charged the difference in price represented by those required features. If the Owner pays the price difference for those required features and/or to upgrade the size and/or other features available on a new replacement water heater or component(s), the Owner will also receive a complete new limited warranty for that replacement water heater or component(s).

E. If at the time of a request for service the Owner cannot provide a copy of the original sales receipt or the warranty registration, the warranty period for the water heater shall then be deemed to have commenced on the date of manufacture of the water heater and NOT the date of installation of the water heater, and be covered by the unexpired portion of the warranty detailed above.

F. This warranty extends only to water heaters utilized in water heating applications that have been properly installed by qualified professionals based upon the manufacturer's installation instructions.

G. It is expressly agreed between the manufacturer and the Owner that repair, replacement, or refund are the exclusive remedies of the Owner.

OWNER RESPONSIBILITIES

The Owner or Qualified Installer / Service Technician must:

1. Have a relief valve bearing the listing marks of the American Society of Mechanical Engineers (ASME) installed with the water heater assembly in accordance with federal, state, and local codes.
2. Have a vacuum relief valve certified to ANSI Z21.22 - Relief Valves for Hot Water Supply Systems - installed with the water heater assembly in accordance with federal, state, and local codes and in installations prone to vacuum related damages.
3. Maintain the water heater in accordance with the maintenance procedure listed in the manufacturer's provided instructions. Preventive maintenance can help avoid any unnecessary breakdown of the water heater and keep it running at optimum efficiency.
4. Maintain all related system components in good operating condition.
5. Use the water heater in an open system, or in a closed system with a properly sized and installed thermal expansion tank.
6. Use the water heater at water pressures not exceeding the working pressure shown on the rating plate.
7. Keep the water heater free of damaging scale deposits.
8. Make provisions so if the water heater or any component or connection thereto should leak, the resulting flow of water will not cause damage to the area in which it is installed.

WARRANTY EXCLUSIONS

This limited warranty will not cover:

1. Any water heater purchased from an unauthorized dealer.
2. Any water heater not installed by a qualified heating installer / service technician, or installations that do not conform to ANSI, CSA, and/or UL standards, as well as any applicable national or local building codes.
3. Service trips to teach the Owner how to install, use, maintain, or to bring the water heater installation into compliance with local building codes and regulations.
4. The workmanship of any installer. The manufacturer disclaims and does not assume any liability of any nature caused by improper installation, repair, or maintenance.
5. Electricity or fuel costs, or increased or unrealized savings for same, for any reason whatsoever.
6. Any water damage arising, directly or indirectly, from any defect in the water heater or component part(s) or from its use.
7. Any incidental, consequential, special, or contingent damages or expenses arising, directly or indirectly, from any defect in the water heater or the use of the water heater.
8. Failure to locate the water heater in an area where leakage of the tank or water line connections and the relief valve will not result in damage to the area adjacent to the water heater or lower floors of the structure, as well as failure to install the water heater in or with a properly sized drain pan routed to an approved drainage location.
9. Any failed components of the system not manufactured by the manufacturer as part of the water heater.
10. Water heaters repaired or altered without the prior written approval of the manufacturer.
11. Damages, malfunctions, or failures resulting from improper installation, or failure to install the water heater in accordance with applicable building codes/ordinances or good plumbing and electrical trade practices; or failure to operate and maintain the water heater in accordance with the manufacturer's provided instructions.
12. Damages, malfunctions, or failures resulting from failure to operate the water heater at pressures not exceeding the working pressure shown on the rating label.
13. Failure to operate the water heater in an open system, or in a closed system with a properly sized and installed thermal

expansion tank.

14. Failure or performance problems caused by improper sizing of the water heater, expansion device, piping, electric service voltage, wiring or fusing.
15. Damages, malfunctions, or failures caused by lack of anode rod maintenance.
16. Damages, malfunctions, or failures resulting from vacuum conditions.
17. Damages, malfunctions, or failures caused by operating the water heater with modified, altered, or unapproved components, or any component / attachment not supplied by the manufacturer.
18. Damages, malfunctions, or failures caused by abuse, accident, fire, flood, freeze, lightning, electrochemical reaction, acts of God and the like.
19. Tank failures (leaks) caused by operating the water heater in a corrosive or contaminated atmosphere.
20. Damages, malfunctions, or failures caused by operating the water heater with an empty or partially empty tank ("dry firing"), or failures caused by operating the water heater when it is not supplied with potable water, free to circulate at all times.
21. Failure of the heater due to the accumulation of solid materials or lime deposits.
22. Any damage or failure resulting from improper water chemistry, or heating anything other than potable water.
23. Production of noise, taste, odors, discoloration, or rusty water.
24. Water heaters replaced for cosmetic reasons.
25. Components of the water heater that are not defective, but must be replaced during the warranty period as a result of reasonable wear and tear.
26. Components of the water heater that are subject to warranties, if any, given by their manufacturers; the manufacturer does not adopt these warranties.
27. Damages, malfunctions, or failures resulting from the use of any attachment(s) not supplied by the manufacturer.
28. Water heaters installed outside the fifty states (and the District of Columbia) of the United States of America and Canada.
29. Water heaters moved from the original installation location.
30. Water heaters that have had their rating labels removed.

PROCEDURES FOR WARRANTY SERVICE REQUESTS

Any claim for warranty assistance must be made promptly. Determine if the water heater is "in-warranty" (that is, within the applicable warranty period) by reviewing a copy of the original sales receipt or warranty registration. The Owner must present a copy of the original sales receipt or warranty registration for a warranty service request.

If the water heater is "in-warranty", contact the retailer from whom the water heater was purchased (or the installer) for assistance. Be prepared to provide the retailer or installer with a copy of the original receipt, complete model and serial numbers, and the date of installation of the water heater, in addition to explanation of the water heater problem.

Warranty coverage is subject to validation of "in-warranty" coverage by the manufacturer claims department personnel. All alleged defective or malfunctioning components must be returned to the manufacturer via the local distribution channels where original purchase was made. **NOTE: Any components or heaters returned to the manufacturer for warranty analysis will become the property of the manufacturer and will not be returned, even if credit is denied.** If all warranty conditions are satisfied, the manufacturer will provide replacement components to the retailer.

For questions about the coverage of this warranty, please contact the manufacturer at the following address or phone

number: HTP, 272 Duchaine Blvd, New Bedford, MA, 02745, Attention: Warranty Service Department, 1(800) 323-9651.

SERVICE, LABOR, AND SHIPPING COSTS

Except when specifically prohibited by the applicable state law, the Owner, and not the Manufacturer, shall be liable for and shall pay for all charges for labor or other expenses incurred in the removal, repair, or replacement of the appliance or any component part(s) claimed to be defective or any expense incurred to remedy any defect in the product. Such charges include, but are not necessarily limited to:

1. All freight, shipping, handling, and delivery costs of forwarding a new appliance or replacement part(s) to the owner.
2. All costs necessary or incidental in removing the defective appliance or component part(s) and installing a new appliance or replacement part(s).
3. All administrative fees incurred by the Owner, as well as material required to complete, and/or permits required for, installation of a new appliance or replacement part(s), and
4. All costs necessary or incidental in returning the defective water heater or component part(s) to a location designated by the manufacturer.

LIMITATIONS OF YOUR WARRANTY AND REMEDIES THE FOREGOING WARRANTIES ARE EXCLUSIVE AND ARE GIVEN AND ACCEPTED TO THE FURTHEST EXTENT UNDER APPLICABLE LAW IN LIEU OF ANY AND ALL OTHER WARRANTIES, EXPRESS OR IMPLIED, INCLUDING WITHOUT LIMITATION THE IMPLIED WARRANTIES OF MERCHANTABILITY AND FITNESS FOR A PARTICULAR PURPOSE AND ANY OBLIGATION, LIABILITY, RIGHT, CLAIM OR REMEDY IN CONTRACT OR TORT, WHETHER OR NOT ARISING FROM THE MANUFACTURER'S NEGLIGENCE, ACTUAL OR IMPUTED. THE REMEDIES OF THE OWNER SHALL BE LIMITED TO THOSE PROVIDED HEREIN TO THE EXCLUSION OF ANY OTHER REMEDIES INCLUDING WITHOUT LIMITATION, INCIDENTAL OR CONSEQUENTIAL DAMAGES, SAID INCIDENTAL AND CONSEQUENTIAL DAMAGES INCLUDING, BUT NOT LIMITED TO, PROPERTY DAMAGE, LOST PROFIT OR DAMAGES ALLEGED TO HAVE BEEN CAUSED BY ANY FAILURE OF THE MANUFACTURER TO MEET ANY OBLIGATION UNDER THIS AGREEMENT INCLUDING THE OBLIGATION TO REPAIR AND REPLACE SET FORTH ABOVE. NO AGREEMENT VARYING OR EXTENDING THE FOREGOING WARRANTIES, REMEDIES OR THIS LIMITATION WILL BE BINDING UPON THE MANUFACTURER. UNLESS IN WRITING AND SIGNED BY A DULY AUTHORIZED OFFICER OF THE MANUFACTURER. THE WARRANTIES STATED HEREIN ARE NOT TRANSFERABLE AND SHALL BE FOR THE BENEFIT OF THE OWNER ONLY.

NO OTHER WARRANTIES

This warranty gives the Owner specific legal rights. The Owner may also have other rights that vary from state to state. Some states do not allow the exclusion or limitation of incidental or consequential damages so this limitation or exclusion may not apply to the Owner. These are the only written warranties applicable to the water heater manufactured and sold by the manufacturer. The manufacturer neither assumes nor authorizes anyone to assume for it any other obligation or liability in connection with said water heaters. The manufacturer reserves the right to change specifications or discontinue models without notice.

Customer Installation Record Form	
The following form should be completed by the qualified installer / service technician for you to keep as a record of the installation in case of a warranty claim. After reading the important notes at the bottom of the page, please also sign this document.	
Customer's Name	
Date of Installation	
Installation Address	
Product Model / Serial Number(s)	
Comments	
Installer's Code / Name	
Installers Phone Number	
Signed by Installer	
Signed by Customer	
Installation Notes	

IMPORTANT

Customer: Please only sign after the qualified installer / service technician has fully reviewed the installation, safety, proper operation, and maintenance of the system. If the system has any problems please call the qualified installer / service technician. If you are unable to make contact, please call your sales representative.

Distributor / Dealer: Please insert contact details.



Calentadores eléctricos mini tanque

Manual de uso y cuidado

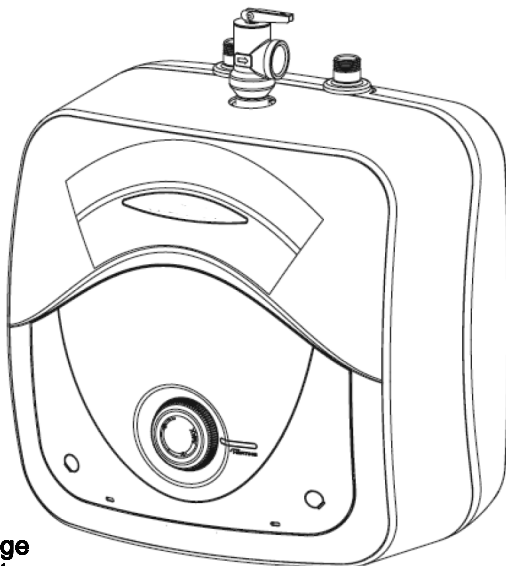
Instalación

Puesta en marcha

Mantenimiento

Partes

Garantía



Household Storage
Tank Water Heater

US LISTED
6K88

⚠ ADVERTENCIA

Este manual es para uso exclusivo de instaladores y técnicos de servicio cualificados. Lea todas las instrucciones proporcionadas en este manual antes de llevar a cabo la instalación. Realice los pasos en las secuencias indicadas. De lo contrario, podrían producirse daños materiales significativos, lesiones graves o incluso la muerte.

Advertencia conforme a la Proposición 65 de California: Este producto contiene sustancias químicas que, conforme al estado de California, producen cáncer, defectos de nacimiento u otros daños reproductivos.

AVISO

El fabricante se reserva el derecho a realizar modificaciones o actualizaciones al producto sin necesidad de previo aviso, y no puede considerarse responsable por errores tipográficos en la documentación.

Las superficies de estos productos que entran en contacto con agua potable contienen menos del 0,25 % de plomo en peso, tal y como lo requiere la Ley de seguridad sobre el agua potable de los Estados Unidos, sección 1417, y están certificadas como tales por IAPMO.

NOTA AL CONSUMIDOR: CONSERVE TODAS LAS INSTRUCCIONES PARA FUTURAS CONSULTAS.

⚠ ¡PELIGRO! ⚠

Para reducir el peligro de una descarga eléctrica desconétese del suministro de corriente antes de reemplazar el dispositivo limitador de temperatura.

PRECAUCIÓN

Para reducir el riesgo de una descarga eléctrica o incendio, úsese sólo en un suministro de servicio público con un sistema de tres alambres que tenga un máximo de 125/250 voltios.

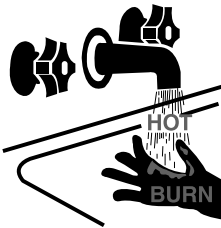
⚠ ¡ADVERTENCIA! ⚠

No conecte el suministro de corriente eléctrica al calentador de agua antes de que el tanque se haya llenado completamente de agua. Los elementos de calentamiento se funden si no están inmersos en agua. Desconecte el suministro de corriente eléctrica antes de drenar el calentador de agua o de retirar la tapa.

AVISO

Las piezas internas de este tanque han sido fabricadas y probadas por el fabricante para tolerar una temperatura de 204 °C (400°F)

⚠ ¡PELIGRO! ⚠



El agua a una temperatura de 52 °C (125 °F) puede causar quemaduras serlas al instante e incluso la muerte por escaldadura. Los niños, los discapacitados y los ancianos son quienes corren el mayor riesgo de sufrir escaldaduras. Lea el manual de instrucciones antes de ajustar la temperatura del calentador de agua. Sienta la temperatura del agua antes de tomar un baño o ducha. Hay válvulas limitadoras de temperatura disponibles. Consulte el manual.

TUBO DE AGUA CALIENTE ↑

⚠ ¡ADVERTENCIA! ⚠

Instale el equipo protector de temperatura y presión requerido por los reglamentos locales, pero no menos que una válvula combinada de alivio de temperatura y presión certificada que satisfaga los requisitos correspondientes a Válvulas de Alivio y Dispositivos de Cierre Automático de Gas para Sistemas de Suministro de Agua Caliente, ANSI Z21.22, por un laboratorio de pruebas reconocido a nivel nacional que mantenga una inspección periódica de la producción de los equipos o materiales clasificados. La válvula debe estar orientada, suministrada con tubos o instalada de manera que la descarga pueda salir sólo dentro de una distancia de 15.2 cm (6 pulg.) arriba, o a cualquier distancia abajo, del suelo estructural, y no puede hacer contacto con ninguna pieza eléctricamente cargada. Si desea información más detallada sobre la forma correcta de instalación y procedimientos de mantenimiento, consulte el manual de instrucciones.

⚠ ¡ADVERTENCIA! ⚠

No administre calor a los elementos de conexión al electuar conexiones soldadas con estaño al calentador de agua. Suelde los tubos a los adaptadores antes de conectar éstos a las conexiones de agua del calentador. Es imperativo no administrar calor a las conexiones de agua, pues pueden contener material no metálico.

ADVERTENCIA

EL AGUA CALIENTE PUEDE PRODUCIR QUEMADURAS DE TERCER GRADO EN 6 SEGUNDOS A 60°C (140°F) Y EN 30 SEGUNDOS A 54°C(130°F). LOS TERMOSTATOS SE AJUSTARON EN LA FÁBRICA A MENOS DE 52°C (125°F). SI SE REQUIEREM AJUSTES, COMUNÍQUESE CON UN TÉCNICO DE SERVICIO CALIFICADO. SI NO SE PRESTA SERVICIO A LA BARRA DEL ÁNODO, POR LO MENOS UNA VEZ AL AÑO, PODRÍA CAUSARSE UNA FALLA DEL TANQUE, CON LA CONSIGUIENTE POSIBLE FUGA

PRECAUCIÓN

DEBE INSTALARSE UNA VÁLVULA DE ALIVIO DE PRESIÓN QUE LIMITE LA PRESIÓN A 1034 kPa.

CASILLAS DE ATENCIÓN ESPECIAL

Los siguientes términos se utilizan a lo largo del presente manual para llamar la atención ante la presencia de riesgos de distintos niveles o sobre información importante acerca del producto.



PELIGRO

PELIGRO Indica una situación de riesgo inminente que, de no evitarse, puede dar lugar a lesiones personales graves o incluso la muerte.



ADVERTENCIA

ADVERTENCIA Indica una situación de riesgo potencial que, de no evitarse, podría dar lugar a lesiones personales o incluso la muerte.



PRECAUCIÓN

CUIDADO Indica una situación de riesgo potencial que, de no evitarse, podría dar lugar a lesiones personales leves o moderadas.

PRECAUCIÓN

CUIDADO sin el símbolo de alerta de seguridad Indica una situación de riesgo potencial que, de no evitarse, puede dar lugar a daños materiales.

AVISO

AVISO Se usa para indicar prácticas no relacionadas con lesiones personales.

Preámbulo

Este manual debe utilizarse junto con los demás documentos suministrados con el calentador de agua. Esto incluye toda la información relacionada con el sistema de control. Es importante que este manual, los demás documentos entregados con el sistema y cualquier publicación adicional se revisen enteramente antes de dar inicio a cualquier operación.

La instalación debe realizarse de acuerdo con los requisitos que establecen las autoridades competentes, las autoridades locales y empresas de servicios públicos pertinentes según el tipo de calentador de agua.

Autoridad competente – La autoridad competente puede ser una entidad federal, estatal, local o individual como por ejemplo el responsable del cuerpo de bomberos, inspector de incendios, departamento de prevención de incendios, departamento de trabajo o de salud, funcionario de construcción o inspector eléctrico, u otros con autoridad legal. En determinadas circunstancias, el propietario o el agente asumen la función, y en instalaciones gubernativas, el comandante o el oficial departamental puede ser la autoridad competente.

NOTA: El fabricante se reserva el derecho a modificar las especificaciones técnicas del producto y sus componentes sin necesidad de previo aviso.

Para el instalador

Este calentador de agua debe ser instalado por personal cualificado y autorizado. El instalador debe actuar conforme a las instrucciones proporcionadas junto con el calentador de agua y en el respeto de todos los códigos locales y requisitos de las empresas de servicios públicos.

Las instalaciones deben cumplir con:

Los códigos, leyes, normativas y decretos locales, estatales, provinciales y nacionales.

Versión más reciente del *Código Eléctrico Nacional, NFPA N.º 70*.

Índice

Parte 1 - Información general de seguridad	24	D. Condensación	30
A. Cuándo efectuar el servicio técnico del sistema de calentamiento del agua	25	E. Válvula de alivio de temperatura y presión	30
B. Agua del calentador	25	F. Quemaduras	31
C. Protección antihielo	25	G. Llenado del calentador	32
D. Ajuste de la temperatura del agua	26	Parte 4 - Conexión eléctrica	32
Parte 2 - Prepare el calentador del agua	26	Parte 5 - Lista de verificación de instalación	33
A. Vista general del modelo	26	Parte 6 - Funcionamiento	33
B. Ubicación del calentador	26	A. Puesta en marcha y prueba	33
C. Requisitos químicos del agua	27	B. Ajuste del termostato	33
D. Especificaciones técnicas y dimensiones	29	Parte 7 - Mantenimiento	33
Parte 3 - Instrucciones para la instalación	29	A. Desmontaje de la tapa	34
A. Montaje del calentador	29	B. Vaciado del calentador	34
1. Montaje de pared	29	C. Desmontaje de la resistencia	34
2. Montaje de suelo	29	D. Inspección de la barra de ánodo	34
B. Fontanería	29	E. Descalcificación de la resistencia	35
C. Expansión térmica	30		

Parte 8 - Solución de problemas	35	Parte 9 - Repuestos	37
A. Restablecimiento del límite alto	36	Garantía limitada del calentador de agua eléctrico	
B. Revisión del funcionamiento del termostato	36	mini tanque	38
C. Sustitución de la resistencia	36	Formulario de registro de la instalación del cliente	40
D. Cambio del termostato	36		

ADVERTENCIA

INSTRUCCIONES IMPORTANTES DE SEGURIDAD

Al usar aparatos eléctricos, se deben adoptar precauciones básicas de seguridad para reducir el riesgo de incendios, descargas eléctricas o lesiones a personas; entre estas:

1. LEA TODAS LAS INSTRUCCIONES ANTES DE USAR ESTE CALENTADOR DE AGUA.
2. Este calentador de agua debe conectarse a tierra. Conéctelo únicamente a una toma debidamente puesta a tierra. Véase la Parte 4 – Cableado del calentador, en este manual, para obtener información más detallada sobre la puesta a tierra.
3. Instale o ubique este calentador de agua únicamente conforme a las instrucciones de instalación suministradas.
4. Use este calentador de agua solo para el uso para el cual ha sido diseñado, tal y como se describe en este manual.
5. Los modelos 2.5 y 4 traen un cable de alimentación. No utilice prolongaciones con este calentador de agua. Si no hay un receptáculo disponible junto al calentador de agua, pida a un electricista cualificado que instale uno de forma adecuada. El modelo 8 requiere la instalación del cable eléctrico. Consulte los detalles en las instrucciones de instalación.
6. Como con cualquier otro aparato, si van a usarlo niños se requiere vigilancia atenta.
7. No opere el calentador de agua si el cable o el enchufe presentan daños, si no funciona correctamente, o si ha sufrido daños o caídas.
8. El servicio técnico del calentador de agua debe estar a cargo exclusivamente de personal cualificado. Póngase en contacto con el instalador del calentador o con una agencia de servicio técnico cualificada para la revisión, reparación o los ajustes necesarios.
9. De no inspeccionar la barra de ánodo por lo menos una vez al año, se pueden provocar problemas de funcionamiento y fugas del tanque. La garantía del fabricante no cubre este problema.

CONSERVE ESTAS INSTRUCCIONES

Parte 1 - Información general de seguridad

Este calentador de agua está aprobado para instalaciones en interiores únicamente y no debe utilizarse como calentador de piscinas. El calentador debe presentar los siguientes espacios para el mantenimiento: 24" (61 cm) al frente, 6" (15,2 cm) en la parte superior, 1" (2,5 cm) a la izquierda, 3" (7,6 cm) a la derecha, y 0" (0 cm) en la parte inferior son los espacios mínimos recomendados para el servicio técnico (se permite la presencia de una puerta para combustible o un panel desmontable en el espacio frontal). Este calentador está aprobado para la instalación dentro de armarios y sobre suelos combustibles. No lo instale directamente sobre alfombras. Instale el calentador en un lugar en el que posibles descargas o fugas de las válvulas de alivio de presión y temperatura no puedan provocar daños en el área alrededor. Si no puede instalarse en un lugar de este tipo, instale una bandeja colectora auxiliar.

ADVERTENCIA

Instalador - Lea todas las instrucciones del manual antes de llevar a cabo la instalación. Realice los pasos en las secuencias indicadas.

Usuario - Este manual es para uso exclusivo de instaladores térmicos y técnicos de servicio cualificados. Someta el calentador a servicio técnico/inspección una vez al año por parte de un técnico cualificado.

DE NO SEGUIR LAS INDICACIONES PROPORCIONADAS EN ESTA PÁGINA, SE PUEDE DAR LUGAR A DAÑOS MATERIALES SIGNIFICATIVOS, LESIONES PERSONALES GRAVES O INCLUSO LA MUERTE.

NOTA: Suspenda el uso del calentador si este se ha visto expuesto a los casos que se indican a continuación. Póngase en contacto de inmediato con un técnico de servicio cualificado.

1. Fuego
2. Daños
3. Agua

De no seguir estas indicaciones podrían producirse daños materiales, lesiones graves o incluso la muerte.

NOTA: Respete todos los códigos locales. Obtenga los permisos pertinentes antes de instalar el calentador.

NOTA: Instale todos los componentes del sistema y las tuberías de tal forma que el desempeño de cualquiera de los ensambles clasificados contra incendios no se vea reducido.

El fabricante declina toda responsabilidad por daños causados por una instalación incorrecta o por el incumplimiento de las instrucciones proporcionadas en este manual.

ADVERTENCIA

NO USE ESTE CALENTADOR SI CUALQUIERA DE SUS PARTES SE HA SUMERGIDO EN EL AGUA. Póngase en contacto de inmediato con un técnico de servicio cualificado. El calentador DEBE sustituirse si se ha sumergido. Intentar hacer funcionar un calentador de agua que haya estado sumergido puede dar lugar a numerosas condiciones de riesgo, como potenciales fugas de gas que pueden provocar incendios y/o explosiones, liberación de moho, bacterias y otras partículas nocivas al aire. Hacer funcionar un calentador de agua que haya estado sumergido puede provocar daños materiales, lesiones graves o incluso la muerte.

NOTA: Los daños al calentador debidos a inundación o sumergimiento se consideran caso fortuito y NO están cubiertos por la garantía.

PRECAUCIÓN

No use este calentador de agua para ningún otro uso distinto de aquel para el cual ha sido diseñado (tal y como se describe en este manual). De hacerlo, se puede dar lugar a daños materiales y SE ANULARÁ la garantía del producto.

Las fuentes de altas temperaturas (fuentes que generan calor a 100°F / 37°C o más, como tubos de estufas, calentadores de ambiente, etc.) pueden dañar los componentes de plástico del calentador de agua y los materiales de los tubos de ventilación plásticos. La garantía NO cubre dichos daños. Se recomienda mantener una distancia mínima de 8" (20,3 cm) de cualquier fuente de altas temperaturas. Siga las instrucciones del fabricante de la fuente de calor, así como los códigos, leyes, normativas y decretos locales, estatales, provinciales y nacionales al instalar este calentador de agua y sus componentes cerca de fuentes de altas temperaturas.

PELIGRO

El gas hidrógeno puede producirse en un sistema de agua caliente conectado a este calentador y que no se haya usado durante un período de tiempo prolongado (normalmente 2 semanas o más). El gas hidrógeno es extremadamente inflamable. Para reducir el riesgo de lesiones bajo estas condiciones, se recomienda abrir el grifo del agua caliente varios minutos en el fregadero de la cocina antes de utilizar cualquier aparato eléctrico conectado al sistema de agua caliente. Si hay presente gas hidrógeno, se producirá probablemente un ruido inusual como de aire escapando del tubo a medida que empieza a correr el agua. No debería haber humo ni llamas abiertas cerca del grifo en el momento en que se abre. De no seguir estas indicaciones podrían producirse lesiones graves o incluso la muerte.

A. Cuándo efectuar el servicio técnico del sistema de calentamiento del agua

ADVERTENCIA

Asegúrese de desconectar la alimentación eléctrica antes de efectuar el servicio técnico. De lo contrario, podrían producirse descargas eléctricas, daños materiales, lesiones graves o incluso la muerte.

Para evitar descargas eléctricas, desconecte la alimentación eléctrica antes de llevar a cabo el mantenimiento.

NOTA: Al solicitar información sobre el servicio técnico o para la resolución de problemas, proporcione el modelo y el número de serie del calentador. Estos datos los encontrará en la placa de características técnicas.

Para evitar quemaduras graves, permita que el calentador del agua y los equipos asociados al mismo se enfríen antes de llevar a cabo el servicio técnico.

AVISO

La garantía no cubre daños del tanque debidos a la falta de cuidado de la barra de ánodo. Consulte la sección "Mantenimiento" en este manual.

B. Agua del calentador

No use compuestos de limpieza o sellado a base de petróleo en un sistema de calentamiento de agua. Las juntas y sellos del sistema podrían dañarse. Esto puede dar lugar a daños materiales significativos.

No realice reparaciones improvisadas o ni utilice "remedios caseros". Podrían provocarse daños al calentador, otros daños materiales importantes y/o lesiones corporales graves.

C. Protección antihielo

NOTA: Tenga en cuenta la tubería y la instalación al decidir la ubicación del calentador.

ADVERTENCIA

La garantía del producto NO cubre problemas de funcionamiento del calentador causados por daños relacionados con la congelación.

PRECAUCIÓN

NUNCA use sustancias químicas tóxicas, como antihielo de glicol estándar para coches, o etilenglicol para sistemas hidrónicos (no potables). Estas sustancias químicas pueden dañar las juntas y los sellos de los sistemas de agua, son venenosas si se ingieren y pueden provocar lesiones graves o incluso la muerte.

AVISO

DESEMBALAJE DEL CALENTADOR DE AGUA - El destinatario deberá presentar de inmediato al transportista cualquier queja por daños o componentes ausentes en el envío.

D. Ajuste de la temperatura del agua

El termostato del calentador se ha preconfigurado en la fábrica a una temperatura de máximo 125°F (51,7°C) conforme a la certificación UL. Véase la Figura 1. Si se desea configurar la temperatura del calentador por encima de 120°F (48,9 °C) se recomienda usar una válvula de mezcla ASSE 1017 para evitar quemaduras graves o incluso la muerte por altas temperaturas.



Figure 10 - Termostato

Relación aproximada tiempo/temperatura en quemaduras	
120°F (48,9 °C)	Más de 5 minutos
125°F (51,7 °C)	1 1/2 a 2 minutos
130°F (54,4 °C)	Unos 30 segundos
135°F (57,2 °C)	Unos 10 segundos
140°F (60 °C)	Menos de 5 segundos
145°F (62,8 °C)	Menos de 3 segundos
150°F (65,6 °C)	Aproximadamente 1 1/2 segundos
155°F (68,3 °C)	Aproximadamente 1 segundo

Table 6 - Relación aproximada tiempo/temperatura en quemaduras

⚠ ADVERTENCIA

Si en casa hay niños pequeños, personas con discapacidad o personas mayores, se recomienda configurar el equipo a máximo 120°F (48,9 °C) para evitar lesiones personales o incluso la muerte por quemaduras.

NOTA: Después de ajustar la temperatura del agua en el termostato, deje que el calentador la caliente el tiempo suficiente. Una vez que el calentador ha dejado de calentar, use un termómetro para medir la temperatura del agua en un punto de salida de agua caliente en la estructura.

Parte 2 - Prepare el calentador del agua

Retire todos los lados de la caja en la que se ha enviado el equipo para desplazar este último al punto en el que va a instalarse.

PRECAUCIÓN

MANIPULACIÓN EN CLIMAS FRÍOS - Si el calentador se ha guardado en un lugar muy frío (BAJO 0°F --17,78 °C) antes de la instalación, manipúlelo con cuidado hasta que los componentes estén a temperatura ambiente. De lo contrario, el calentador puede sufrir daños.

A. Vista general del modelo

Las siguientes figuras muestran detalladamente los componentes específicos del modelo del calentador. Algunos componentes pueden venir ya instalados desde la fábrica. Esto depende del modelo del calentador.

B. Ubicación del calentador

⚠ ADVERTENCIA

Este calentador está diseñado exclusivamente para uso en interiores. **NO LO INSTALE EN EXTERIORES.** La garantía **NO** cubre dichos daños en caso de instalaciones en exteriores. No instalar el calentador en interiores puede provocar daños materiales, lesiones graves o incluso la muerte.

PRECAUCIÓN

Todos los calentadores pueden presentar pérdidas en un momento dado. Ubique el calentador en un lugar en el que cualquier pérdida de la válvula de alivio, de la tubería correspondiente, del tanque o de las conexiones no genere daños en el área circundante o en las plantas del edificio debajo de la instalación. Un calentador de agua debe instalarse de manera tal que si se presentan pérdidas debido al flujo de agua, no se provoquen daños al área en la que se encuentra instalado. Los códigos nacionales de fontanería exigen que se instale una bandeja colectora en cualquier instalación de calentamiento del agua. De no hacerlo, la responsabilidad recaerá únicamente sobre el propietario y/o instalador. Consulte el Código Uniforme de Fontanería (UPC 2000) Sección 510 - Protección contra daños o el Código Internacional de Fontanería (IPC 200) Sección 504 - Dispositivos de seguridad. La garantía **NO** cubre daños provocados por pérdidas.

Los proveedores de materiales de fontanería suministran dispositivos de detección de pérdidas de agua y válvulas automáticas de cierre para agua. **ES ALTAMENTE RECOMENDABLE INSTALAR DISPOSITIVOS DE DETECCIÓN DE PÉRDIDAS DE AGUA Y VÁLVULAS AUTOMÁTICAS DE CIERRE EN CUALQUIER INSTALACIÓN DE CALENTAMIENTO DEL AGUA EN LA QUE UNA PÉRDIDA DE AGUA PUEDA PROVOCAR DAÑOS MATERIALES.**

1. Condiciones operativas en el área de instalación (sala de máquinas)

- Asegúrese de que la temperatura ambiente esté por encima de 32°F / 0°C y por debajo de 104°F / 40°C
- Evite altos niveles de humedad constantes
- Nunca cierre las aberturas de ventilación

NOTA: Si el equipo se instala en un lugar en el que no se tengan a disposición los espacios recomendados, no será posible ver o leer algunas de las etiquetas del mismo. Se recomienda anotar el modelo y el número de serie del calentador.

NOTA: Se permite la presencia de una puerta para combustible o un panel desmontable en el espacio frontal.

PRECAUCIÓN

La vida útil de las superficies metálicas expuestas del calentador, como la caja de conexiones, se ve afectada directamente por la proximidad a ambientes húmedos y salinos. En dichas áreas los niveles más altos de concentración de cloruros provenientes del rocío marino con la respectiva humedad pueden generar un deterioro de los componentes del calentador, dando lugar a problemas de funcionamiento prematuros del mismo. La garantía NO cubre dichos daños.

La garantía del producto NO cubre problemas de funcionamiento del calentador o de sus componentes, causados por condiciones operativas incorrectas.

⚠️ ADVERTENCIA

Los parámetros ambientales incorrectos pueden dar lugar a daños en el sistema de calentamiento y poner en riesgo el funcionamiento seguro del equipo. Asegúrese de que el lugar de instalación cumpla con todos los requisitos establecidos en el presente manual. De lo contrario, podrían producirse daños materiales, lesiones graves o incluso la muerte.

2. Ubique el calentador en un punto central con respecto a las tuberías y a las conexiones eléctricas, en la medida de lo posible. Ubique el calentador y las tuberías del agua domésticas en lugares en los que no se vean expuestos a temperaturas bajo cero. Todas las tuberías deben estar aisladas. Ubique el calentador de forma tal que pueda accederse fácilmente a los desagües, controles y entradas/salidas.

NOTA: Para reducir los costes que comporta el calentamiento y mejorar la eficiencia energética, reduzca al mínimo la distancia entre el calentador y las conexiones para minimizar las pérdidas de calor que suponen las tuberías excesivamente largas y las pérdidas por fricción. Asegúrese de que todas las tuberías del calentador estén debidamente aisladas para minimizar las pérdidas de calor.

NOTA: Si no se garantizan los espacios recomendados para el servicio técnico, este no podrá efectuarse sin mover el calentador de su lugar de instalación.

NOTA: En el estado de California, el calentador debe soldarse, anclarse o atarse con correas para evitar movimientos durante posibles terremotos. Póngase en contacto con las autoridades locales para conocer los requisitos legales en su zona. Consulte el sitio web <http://www.dsa.dgs.ca.gov> o llame al 1-916-445-8100 y solicite instrucciones.

3. Revise el área alrededor del calentador. Aleje todo material combustible, gasolina y demás líquidos inflamables.

⚠️ PELIGRO

Este calentador no debe ubicarse cerca de líquidos inflamables como gasolina, butano, propano líquido, adhesivos, solventes, tiner, etc., puesto que los controles podrían provocar la ignición de dichos vapores y causar una explosión y dar lugar a daños materiales, lesiones graves o incluso la muerte.

⚠️ ADVERTENCIA

Este calentador debe instalarse en posición vertical tal y como se describe en este manual. NO intente instalar este calentador en orientaciones diferentes de esta. De lo contrario, se pueden causar problemas de funcionamiento y daños materiales que pueden dar lugar a lesiones graves o incluso la muerte.

4. Si el calentador debe reemplazar un calentador existente, revise si hay problemas en el sistema anterior como:

- Pérdidas del sistema
- Ubicación que pueda hacer que el sistema y el calentador se congelen y sufran pérdidas
- Vaso de expansión de dimensiones incorrectas

5. Este calentador de agua debe instalarse en posición vertical en una superficie llana.

C. Requisitos químicos del agua

PRECAUCIÓN

Un desequilibrio químico en el suministro de agua puede afectar la eficiencia del equipo y provocar daños graves al mismo y a los aparatos asociados a este. La calidad del agua debe analizarse profesionalmente para determinar si requiere tratamiento. Hay varias soluciones disponibles para ajustar la calidad del agua. Una calidad del agua inadecuada afectará la fiabilidad del sistema. Además, una temperatura de trabajo por encima de 135°F (57,22 °C) acelerará la formación de depósitos de cal lo que puede acortar la vida útil del aparato. La garantía NO cubre daños al aparato debidos a la formación de depósitos de cal, a un pH bajo o a otros desequilibrios químicos.

El agua debe ser potable, libre de sustancias químicas corrosivas, arena, suciedad y otros contaminantes. Es responsabilidad del instalador asegurarse de que el agua no contenga sustancias químicas corrosivas o elementos que puedan dañar el intercambiador de calor. El agua potable obtenida de la red de suministro o de pozo se define como tal conforme a los niveles máximos de contaminantes establecidos en los estándares secundarios de la Agencia de Protección Ambiental (EPA) (40 CFR Parte 143.3). Si el agua contiene un nivel de contaminantes más alto que el que establece la EPA, se recomienda el tratamiento del agua y un mantenimiento más frecuente del equipo.

Si sospecha que el agua está contaminada de alguna manera, interrumpa el uso del aparato y póngase en contacto con un técnico autorizado o un profesional habilitado.

pH del agua entre 6,5 y 8,5

- Un nivel de pH por debajo de 6,5 puede provocar un aumento en el índice de corrosión. Un pH de 8,5 o más puede provocar la formación de depósitos de cal.
- Mantenga el pH del agua entre 6,5 y 8,5. Realice una revisión con papel tornasol o pida a una empresa de tratamiento de agua local que realice un análisis químico.
- Si el pH no está entre 6,5 y 8,5, consúltese con una empresa de tratamiento de agua local para hallar una solución.

conductividad del agua no superior a 1200 $\mu\text{S} / \text{cm}$

- El aparato no debe trabajar con aguas de dureza inferior a los 4 granos (70 mg/L), viceversa con aguas de dureza muy alta (mayor que 20 granos (350mg/L)). Se recomienda usar un ablandador, calibrado y controlado correctamente y en este caso la dureza residual no debe colocarse por debajo de los 9 granos (150mg/L).

Concentración de cloruro por debajo de 100 ppm (mg/L)

- No llene el aparato ni lo haga funcionar con agua que contenga un nivel de cloruro de más de 100 ppm (mg/L).
- El uso de agua clorada no debería presentar problemas puesto que los niveles suelen estar por debajo de 5 ppm (mg/L).
- No conecte el aparato para calentar directamente agua de piscinas o spas.

Total de sólidos disueltos (TDS) por debajo de 500 ppm (mg/L)

- El total de sólidos disueltos consiste en la suma de los minerales, sales, metales y partículas con carga, disueltos en el agua.
- Cuántos más TDS haya, mayor será el potencial de corrosión debido al aumento de conductividad en el agua.
- Aun si se usa agua ablandada para llenar el aparato, es posible tener un TDS alto. Esta agua puede ser corrosiva. Consulte con las empresas locales de tratamiento del agua para hallar soluciones a este problema.

Conductividad del agua no superior a 1200 $\mu\text{S} / \text{c}$

***NOTA:** Para mejorar la vida útil del aparato, se recomienda altamente respetar los procedimientos de mantenimiento de este manual.

PRECAUCIÓN

La garantía NO cubre daños a las resistencias eléctricas debidos a la formación de depósitos de cal en las superficies calentadoras, a un pH bajo o a otros desequilibrios químicos.

NOTAS:

1. Las dimensiones mínimas de los tubos deben ser compatibles con las dimensiones de conexión. Dimensione el tubo correctamente si se requiere un flujo mayor.
2. Dimensione e instale un vaso de expansión térmico adecuado para agua potable en este sistema de tubería entre el dispositivo de prevención de contraflujo y la toma del agua fría.
3. Todos los circuladores deben tener una válvula antirretorno integrada.
4. Los desagües y la válvula antirretorno entre la unidad y el tanque de almacenamiento ayudan a eliminar el aire del sistema.
5. Estos diagramas pretenden ilustrar únicamente las tuberías del sistema. Es responsabilidad del instalador respetar todos los códigos locales pertinentes. En el estado de Massachusetts, se debe instalar una válvula de alivio de vacío conforme a 248 CMR.
6. Se puede aplicar una válvula

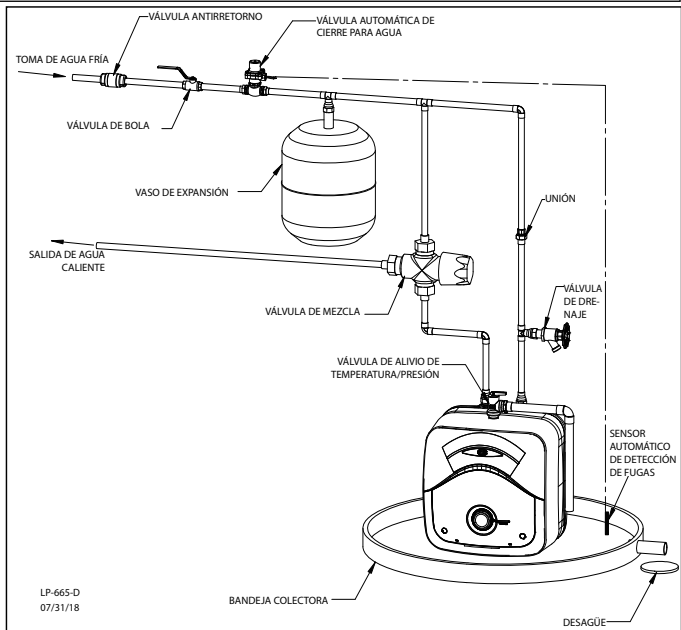


Figure 11 - Detalles de la instalación

de mezcla opcional, aunque esto se recomienda para ayudar a evitar quemaduras. Consulte la Parte 3 para obtener información adicional.

7. Es altamente recomendable instalar dispositivos de detección de pérdidas de agua y válvulas automáticas de cierre en cualquier instalación de calentamiento del agua en la que una pérdida de agua pueda provocar daños materiales.

D. Especificaciones técnicas y dimensiones

Datos técnicos	Unidades	2.5	4	8
Capacidad del tanque	Galones	2,7	4,0	8,0
Dimensiones	Pulgadas	14 ^{1/4} " Ancho x 14 ^{1/4} " Alto x 10 ^{3/4} " Profundo	14 ^{1/4} " Ancho x 14 ^{1/4} " Alto x 12 ^{3/4} " Profundo	17 ^{1/2} " Ancho x 17 ^{1/2} " Alto x 15 ^{1/4} " Profundo
Peso (vacío)	lb	15,5	17,6	29,5
Presión máxima del agua	psi	150		
Índice de recuperación (aumento de 90°F - 32,2 °C)	gal/h	6.8		9
Rango de temperatura	°Fahrenheit	65 - 161		65 - 161
Conexiones del agua	NPT	1/2" NPT		3/4" NPT - incluye adaptadores de niple*
Válvula de alivio		Instalada	Instalada	Incluida, no instalada
Tensión nominal (monofásica)	VCA	110 / 120 (todos los modelos)		
Corriente nominal	Amperios	12,0		16,7
Potencia a 120 VCA	Vatios	1440		2000
Conexión eléctrica		Cable desmontable		Cable fijo

Table 7 - Especificaciones técnicas - *Adaptadores de niple incluidos en la caja

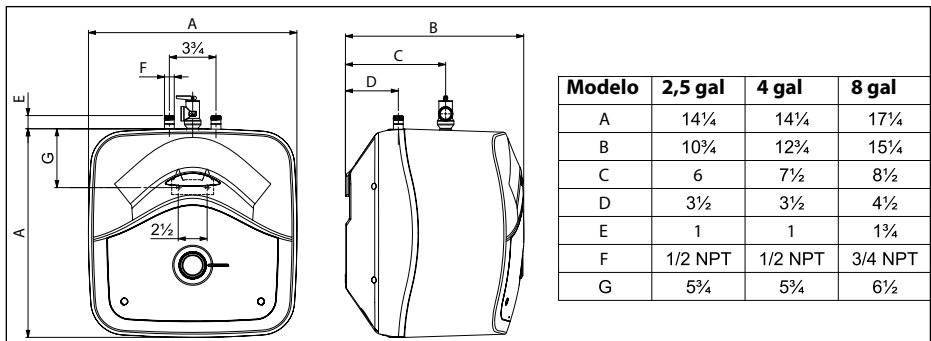


Figure 12 - Diagrama de dimensiones

Parte 3 - Instrucciones para la instalación

Estos calentadores de agua están diseñados para ser instalados bajo el fregadero.

A. Montaje del calentador

1. Montaje de pared

- Asegure el soporte de montaje suministrado en la pared.

AVISO

Use tornillos adecuados para el material de la pared y el peso del calentador de agua. De lo contrario, pueden producirse daños a la propiedad y al calentador. La garantía NO cubre dichos daños.

- Cuelgue el calentador en el soporte.
- Tire hacia abajo del calentador para asegurarse de que los dos "dedos" del soporte estén bien apoyados en las ranuras de montaje.

2. Montaje de suelo

El calentador de agua puede instalarse en el suelo. Instale los pies de goma adhesivos para el montaje en el suelo en la parte inferior del calentador. Consulte las instrucciones para la instalación de los pies de goma, incluidas en el embalaje.

B. Fontanería

Es obligatorio que todos los trabajos de fontanería se realicen de conformidad con los códigos y prácticas federales, locales y estatales pertinentes. La garantía del quemador PERDERÁ TODA VALIDEZ en caso de instalaciones incorrectas. También se deben usar cinta y lubricante de roscas en todas las conexiones mecánicas de los elementos de fontanería.

Instale las juntas en las conexiones del agua caliente y del agua fría para que resulte fácil desconectar el

calentador para efectos de servicio técnico.

- Conecte el tubo de entrada del agua fría en la rosca de la toma (marcada con un anillo azul).
- Asegúrese de que haya instalada una válvula de aislamiento en el suministro del agua fría al calentador.
- Conecte el tubo de salida del agua caliente en la rosca de la salida (marcada con un anillo rojo).

PRECAUCIÓN

No aplique calor a las conexiones del calentador del agua fría o del agua caliente. Si se utilizan conexiones por soldadura blanda, suelde los tubos al adaptador antes de empalmar este último a las conexiones del agua en el calentador. De aplicar calor a las conexiones del calentador, se dañarán permanentemente el tubo conductor de inmersión y/o las trampas de calor. La garantía NO cubre daños causados por una instalación incorrecta.

La garantía NO cubre daños a las resistencias eléctricas debidos a la formación de depósitos de cal en las superficies calentadoras, a un pH bajo o a otros desequilibrios químicos.

C. Expansión térmica

Se puede instalar una válvula antirretorno en la línea de entrada del agua fría como dispositivo independiente de prevención de contraflujo, o como parte de una válvula de reducción de presión, medidor de agua o ablandador de agua. Un **"sistema de agua abierto"** consiste en un sistema sin válvula antirretorno. Un **"sistema de agua cerrado"** consiste en un sistema con válvula antirretorno instalada en la línea de entrada del agua fría.

A medida que se calienta el agua, su volumen se expande y aumenta la presión en el sistema del agua. Esta acción se denomina **"expansión térmica"**. En un sistema de agua abierto, el agua en expansión que supera la capacidad del sistema regresa a la red municipal en la que la presión se disipa rápidamente.

Un sistema de agua cerrado evita que el agua en expansión regrese a la red municipal. La expansión térmica resultante puede aumentar rápidamente la presión en el calentador y en las tuberías del sistema. Este aumento rápido de presión puede superar la configuración de la válvula de alivio de presión, y hacerla funcionar durante cada ciclo de calentamiento, lo que determinará una descarga de la temperatura y la presión. Este rápido ciclo repetitivo de expansión y contracción de los componentes en el sistema puede dar lugar a fallo prematuro de estos, incluyendo la válvula de alivio e incluso del calentador mismo. La sustitución de la válvula de alivio **no** corrige la expansión térmica.

Hay dos medidas para evitar que esto ocurra:

1. Instale un vaso de expansión de agua caliente potable de tipo diafragma para desviar la expansión térmica. Los vasos de expansión están diseñados con un cojín de aire incorporado que se comprime a medida que aumenta la presión del sistema, aliviando así la condición de exceso de presión y eliminando la operación repetitiva de la válvula de alivio. Este vaso de expansión debe instalarse en la línea del agua fría entre el calentador del agua y la válvula antirretorno, y debe dimensionarse para el volumen total del agua del sistema del agua caliente. El vaso de expansión debe tener una capacidad de mínimo 1,5 galones por cada 50 galones de agua almacenada.
2. Instale una válvula de alivio de presión de 125 en la línea de suministro del agua fría. Asegúrese de que la descarga de dicha válvula se dirija hacia un desagüe abierto, protegido contra la congelación. Póngase en contacto con el proveedor local de agua o con el inspector de fontanería para obtener información sobre cómo controlar esta situación. No conecte la válvula de alivio de temperatura y presión.

Hay disponibles otros métodos de control de la expansión térmica. **Consúltese con el proveedor local de agua para determinar si ya hay una válvula antirretorno en la línea de entrada del agua fría.** Póngase en contacto con su instalador, proveedor de agua o inspector de fontanería para obtener información adicional sobre la expansión térmica.

D. Condensación

Se puede formar condensación en el calentador la primera vez que este se llena de agua, y también cuando hay una demanda intensiva de agua y la temperatura del agua de entrada es muy fría. No es raro que se presente esta condición, si bien desaparecerá tan pronto como el agua se caliente. Sin embargo, si la condensación persiste, examine los tubos y los empalmes para asegurarse de que no presenten pérdidas.

NOTA: El aislamiento tanto de los tubos de entrada del agua fría como de aquellos de salida del agua caliente reduce el riesgo de condensación en la tubería del calentador.

E. Válvula de alivio de temperatura y presión

Para la protección contra presiones y temperaturas excesivas en este calentador, instale la válvula de alivio de temperatura y presión suministrada, certificada por un laboratorio de pruebas reconocido a nivel nacional que lleve una inspección periódica de los equipos o materiales de producción indicados, tal y como lo establece la norma en materia de *válvulas de alivio y dispositivos automáticos de cierre de gas para sistemas de suministro de agua caliente, ANSI Z21.22B / CSA 4.4-M99*. La válvula de alivio de temperatura y presión suministrada lleva marcada una presión configurada máxima (150 psi) que no supera la presión de trabajo máxima indicada para el calentador (150 psi). Instale la válvula de temperatura y presión en la abertura correspondiente, marcada para dicho efecto en el calentador del agua, y orientela o disponga los tubos necesarios para que cualquier descarga de la válvula salga por lo menos 6" (15,2 cm) por encima del suelo estructural. La línea de alivio no puede entrar en contacto con partes eléctricas energizadas. La abertura de descarga no debe estar bloqueada ni debe reducirse su tamaño bajo ninguna circunstancia.

Los códigos nacionales de fontanería exigen que se instale una bandeja colectora en cualquier instalación de calentamiento del agua. De no hacerlo, la responsabilidad recaerá únicamente sobre el propietario y/o instalador. Consulte el Código Uniforme de Fontanería (UPC 2000) Sección 510 - Protección contra daños o el Código Internacional de Fontanería (IPC 200) Sección 504 - Dispositivos de seguridad.

⚠ ADVERTENCIA

¡No enrosque tapas o tapones en la válvula de alivio o en la línea de esta última bajo ninguna circunstancia! Podrían provocarse explosiones y daños a la propiedad, lesiones graves o incluso la muerte.

Para evitar daños o quemaduras por agua debido al funcionamiento de la válvula de alivio:

- La línea de descarga debe conectarse a la salida de la válvula de alivio y conducir hasta un lugar seguro de descarga. Termine la línea de descarga de tal forma que se prevenga el riesgo de quemaduras graves o daños a la propiedad en caso de descarga de la válvula de alivio.
- La línea de descarga debe ser lo más corta posible y del mismo tamaño de la conexión de descarga de la válvula por todo lo largo.
- La línea de descarga debe dirigirse hacia abajo a partir de la válvula y terminar por lo menos 6" (15,2 cm) sobre el desagüe del suelo, de forma tal que la descarga se vea claramente.
- La línea de descarga debe terminar lisa, no roscada, con un material resistente a temperaturas de 375°F (190,5 °C) o más.
- No entube la descarga hacia lugares en los que pueda producirse congelación.
- No debe haber válvulas instaladas entre la válvula de alivio y el calentador o en la línea de descarga. No tape ni obstruya de ninguna manera la línea de descarga.
- Pruebe el funcionamiento de la válvula de alivio tras el llenado y la presurización del sistema levantando la palanca. Asegúrese de que la válvula se descargue libremente. Si la válvula no funciona correctamente, sustitúyala de inmediato por una nueva válvula de alivio con las características correctas.
- Pruebe la válvula de temperatura y presión por lo menos una vez al año para garantizar que el conducto del agua esté despejado. Si la válvula no funciona, apague el calentador y llame de inmediato a un fontanero.
- Preste atención al accionar la válvula de alivio para evitar quemaduras, lesiones o daños a la propiedad.

DE NO RESPETAR LAS INDICACIONES ANTERIORES, SE PUEDEN PRODUCIR FALLOS EN EL FUNCIONAMIENTO DE LA VÁLVULA DE ALIVIO, LO QUE PUEDE DAR LUGAR A DAÑOS MATERIALES SIGNIFICATIVOS, LESIONES GRAVES O INCLUSO LA MUERTE.

NUEVA INSPECCIÓN DE LAS VÁLVULAS DE ALIVIO DE TEMPERATURA Y PRESIÓN: Las válvulas de temperatura y presión deben revisarse POR LO MENOS UNA VEZ CADA TRES AÑOS, y reemplazarse cuando resulte necesario. Estas operaciones deben ser llevadas a cabo por un fontanero habilitado o un técnico de servicio cualificado para garantizar que el producto no se haya visto afectado por condiciones de agua corrosiva y que la válvula y la línea de descarga no se hayan alterado o manipulado indebidamente. Algunas condiciones naturales pueden corroer la válvula y sus componentes con el paso del tiempo, inutilizando la válvula. Dichas condiciones pueden detectarse únicamente si la válvula y sus componentes se desmontan físicamente y se someten a inspección. **No intente realizar una inspección por su cuenta.** Póngase en contacto con su fontanero para una nueva inspección, de forma tal que se garantice la seguridad constante.


SI NO SE REALIZA LA NUEVA INSPECCIÓN DE LA VÁLVULA DE TEMPERATURA Y PRESIÓN TAL Y COMO SE HA INDICADO, SE PUEDEN ALCANZAR TEMPERATURAS O PRESIONES PELIGROSAS, LO QUE PUEDE DAR LUGAR A DAÑOS MATERIALES, LESIONES PERSONALES GRAVES O INCLUSO LA MUERTE.

F. Quemaduras

Este calentador puede suministrar agua a una temperatura capaz de producir quemaduras. Preste mucha atención al usar el agua caliente para evitar lesiones por quemadura. Algunos electrodomésticos como lavavajillas y lavadoras pueden requerir temperaturas altas del agua. Al configurar el termostato de este calentador para obtener la temperatura del agua que requieren dichos aparatos, se pueden estar creando condiciones de riesgo de lesiones por quemadura.

Para protegerse contra este tipo de lesión, instale una válvula de mezcla en el sistema del agua. Esta válvula reducirá las temperaturas de descarga en el punto de suministro, mediante la mezcla de agua fría y caliente en las líneas de suministro ramificadas. Pida estas válvulas a su proveedor de artículos de fontanería.

La Tabla 3 muestra la relación entre temperatura del agua y tiempo en relación con las lesiones por quemaduras, y puede utilizarse como guía para determinar la temperatura más segura del agua para sus aplicaciones.



Una temperatura del agua por encima de 125 °F puede provocar quemaduras instantáneas graves o incluso la muerte por quemadura. Los niños, las personas con discapacidad y las personas mayores son quienes se ven mayormente expuestos al riesgo de quemaduras. Consulte el manual de instrucciones antes de configurar la temperatura en el calentador. Toque el agua antes de tomar un baño o una ducha. Hay disponibles válvulas limitadoras de temperatura; consulte el manual.

⚠ ADVERTENCIA

Se recomienda usar una válvula limitadora de temperatura o una válvula mezcladora ASSE 1017 o ASSE 1070 en instalaciones que utilicen personas con discapacidad, personas mayores o niños. Las válvulas mezcladoras no eliminan el riesgo de quemaduras.

Para evitar quemaduras:

- Configure el valor predeterminado de temperatura del calentador al nivel más bajo posible.
- Toque el agua antes de tomar un baño o una ducha.
- Si se requieren válvulas termostáticas, use dispositivos específicamente diseñados para el fin requerido. Instale estos dispositivos de acuerdo con las instrucciones suministradas por el fabricante.

De no instalar una válvula limitadora de temperatura o una válvula mezcladora y de no seguir estas instrucciones, se pueden producir daños materiales, lesiones personales graves o incluso la muerte por quemadura.

G. Llenado del calentador

- Asegúrese de que las válvulas de drenaje del sistema estén completamente cerradas.
- Abra la válvula de cierre en la línea de suministro del agua fría.
- Abra los grifos del agua caliente para dejar que entre aire y ventile el calentador y la tubería.
- Deje el tiempo suficiente para que el calentador se llene de agua por completo.
- Compruebe que no haya pérdidas.

PRECAUCIÓN

Al llenar el calentador de agua, abra un grifo de agua caliente para descargar el aire del tanque y la tubería. El tanque debe estar lleno de agua antes de encender el calentador. Si no se comprueba que el calentador esté lleno antes del encendido, pueden provocarse daños al mismo y otros daños a la propiedad. La garantía del calentador NO cubre dichos daños.

Parte 4 - Conexión eléctrica

PRECAUCIÓN

El tanque debe estar lleno de agua antes de encender el calentador. La resistencia se dañará si se energiza incluso por un momento con el tanque seco. La garantía NO cubre daños causados por un “encendido en seco”.

Los requisitos de tensión y de carga de vatios necesaria para el calentador están indicadas en la placa de características técnicas del mismo. Consulte con el proveedor local para determinar si el suministro de energía eléctrica es adecuado para la carga adicional del calentador.

El modelo 8 requiere la instalación del cable eléctrico. El modelo 8 debe conectarse con un cable 12 GA a un circuito de derivación de 20 A. Todo el cableado debe cumplir con los códigos locales y el Código Eléctrico Nacional, y debe estar a cargo de un electricista cualificado habilitado o por la empresa de energía local. Véase la Figura 4, A y B.

- Desatornille la tapa de la caja de conexiones y quítela.
- Inserte el cable 12 AWG a través del conducto en la caja de conexiones y asegúrelo con una abrazadera de alivio de tensión (no suministrada).
- Conecte los cables y atornille la tapa de la caja de conexiones.
- Realice las conexiones apropiadas al calentador del agua conforme al Código Eléctrico Nacional.
- La unidad debe conectarse a tierra con el cable suministrado en la caja de conexiones.
- Asegure la tapa de la caja de conexiones una vez que haya realizado las conexiones.

Si el modelo 8 no está a la vista de los cortacircuitos eléctricos, se debe disponer un bloqueo del cortacircuitos o un medio adicional local para desconectar todos los conductores no puestos a tierra, a la vista del aparato (consulte NEC 422.31).

⚠ ADVERTENCIA

Asegúrese de conectar a tierra el calentador. De lo contrario, podrían producirse daños materiales, lesiones graves o incluso la muerte.

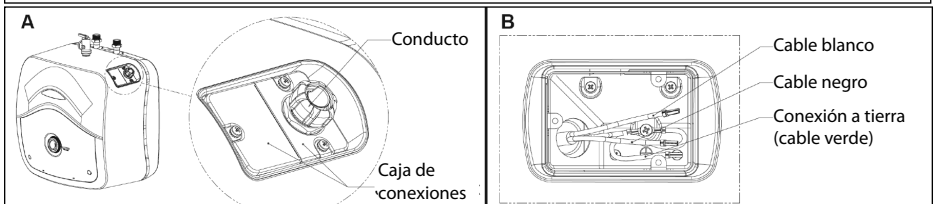


Figure 13 - Cableado del modelo 8

Parte 5 - Lista de verificación de instalación

Ubicación del calentador	Sí	No
Cerca del área de demanda del agua calentada		
En interiores y en un lugar protegido contra temperaturas bajo cero		
Área libre de vapores inflamables		
Disposiciones para proteger el área contra posibles daños causados por el agua		
Suficiente espacio para efectuar el servicio técnico del calentador		
Válvula de alivio	Sí	No
Válvula de alivio de temperatura y presión correctamente instalada y línea de descarga hasta el punto de drenaje abierto		
Línea de descarga protegida contra el hielo		
Cableado	Sí	No
Tensión de alimentación compatible con el valor indicado en la placa de características técnicas		
Cable del circuito de derivación, fusibles y cortacircuitos de dimensiones correctas		
Conexiones eléctricas bien apretadas y puestas a tierra		
Suministro de agua	Sí	No
Calentador de agua totalmente lleno ANTES de la puesta en funcionamiento de la unidad		
Aire purgado del calentador y de los tubos		
Conexiones del agua bien apretadas y sin pérdidas		

Table 8 - Lista de verificación de la instalación

Parte 6 - Funcionamiento

PRECAUCIÓN

El tanque debe estar lleno de agua antes de encender el calentador. La resistencia se dañará si se energiza incluso por un momento con el tanque seco. La garantía NO cubre daños causados por un "encendido en seco".

A. Puesta en marcha y prueba

Para los modelos que no traen interruptor:

- Conecte la alimentación eléctrica del calentador enchufando el cable de alimentación (modelos 2.5 y 4) o encendiendo el cortacircuitos (modelo 8).
- Si la luz no se enciende, gire la perilla de control hacia la derecha.
- La luz permanecerá encendida hasta que la temperatura del agua haya alcanzado el valor del termostato. La luz volverá a encenderse cada vez que la temperatura del interior del tanque baje a menos del valor configurado en el termostato.

B. Ajuste del termostato

La temperatura del agua caliente se ajusta girando la perilla (M, véase la Figura 5) ubicada en la cubierta frontal.

- Gire la perilla hacia la derecha para aumentar la temperatura.
- Gire la perilla hacia la izquierda para reducir la temperatura.

Parte 7 - Mantenimiento



ADVERTENCIA

No intente reparar el calentador por sí mismo. Solicite asistencia a un técnico cualificado. Apague siempre la alimentación del calentador antes de efectuar el servicio técnico o de vaciarlo. De lo contrario, podrían producirse daños materiales, lesiones graves o incluso la muerte.

AVISO

Durante la mayor parte de estas operaciones de mantenimiento, el agua tendrá que drenarse del calentador. Para todas estas operaciones, el cable de alimentación debe desconectarse (modelos 2.5 o 4) o apagarse la alimentación en el cortacircuitos (modelo 8), y retirarse la tapa frontal.

A. Desmontaje de la tapa

- Haga palanca en la placa de cubierta de la perilla redonda (Figura 5, M) con un destornillador pequeño de cabeza plana.
- Haga palanca en las tapas de tornillo (Figura 5, V) con un destornillador pequeño de cabeza plana.
- Quite los tornillos Phillips.
- La tapa (Figura 5, C) puede quitarse tirando del borde izquierdo de la misma. Al efectuar el nuevo ensamble, siga la secuencia contraria, prestando atención a insertar la lengua de la tapa en la ranura.

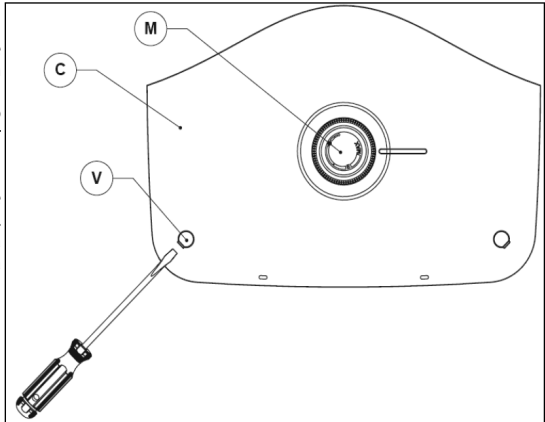


Figure 14 - Vista detallada de la tapa del calentador y del termostato

B. Vaciado del calentador

Si el calentador se ha instalado con mangueras flexibles:

- Apague la alimentación.
- Gire el calentador hacia abajo sobre un fregadero para vaciar el agua de su interior.

El calentador también puede vaciarse:

- Con sifón a través de la manguera lateral de entrada.
- Mantenga un grifo de agua caliente abierto mientras realiza esta operación.

Si el calentador se ha instalado con tubos rígidos:

- Extraiga el agua con sifón a través de cualquiera de las válvulas de servicio inferiores en el lado de entrada.
- Mantenga un grifo de agua caliente abierto mientras realiza esta operación.

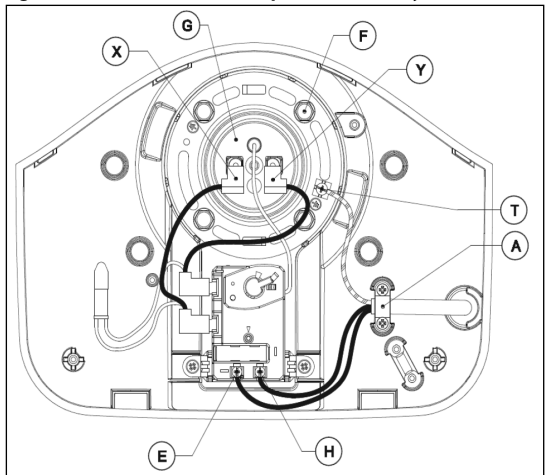


Figure 15 - Vista detallada de la apertura de la tapa del calentador

C. Desmontaje de la resistencia

- Desconecte la alimentación y vacíe el calentador.
- Desmonte la placa de cubierta. Desconecte los terminales X, Y y T. Véase la Figura 6.
- Desatornille las cuatro (4) tuercas de retención de la resistencia (Figura 6, F).
- Desmonte la resistencia (Figura 6, G).

D. Inspección de la barra de ánodo

La barra de ánodo (Figura 7, N) se encarga de proteger el tanque contra la corrosión. La barra de ánodo debe revisarse una vez al año para determinar si debe sustituirse.

Para acceder a la barra de ánodo, la resistencia debe desmontarse. Consulte la sección anterior "Desmontaje de la resistencia". Al inspeccionarla, la barra de ánodo debe resultar lisa. Si la superficie de la barra presenta hendiduras, protuberancias, asperezas o si no está presente, deberá sustituirse.

Tamaños originales de la barra de ánodo:

- Modelos 2.5 y 4: longitud 6 1/2" (1,65 m), diámetro 5/8" (1,6 cm)
- Modelo 8: longitud 8 1/4" (2,95 m), diámetro 5/8" (1,6 cm)

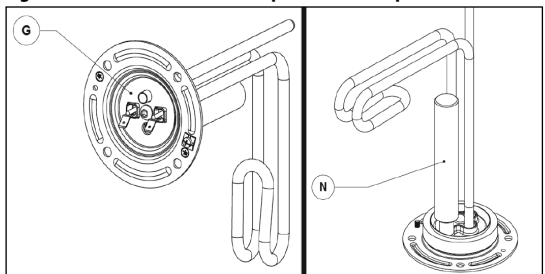


Figure 16 - Vista detallada de la resistencia y de la barra de ánodo

Algunas instalaciones requieren una sustitución más frecuente de la barra de ánodo:

- Aplicaciones de recirculación
- Calidad precaria del agua
- Corrosión galvánica/electrolítica
- Aplicaciones de alto flujo

El agua oxidada suele indicar que la barra de ánodo debe reemplazarse. Si hay agua oxidada, examine la barra de ánodo de inmediato y sustitúyala si es necesario. Si la calidad del agua es precaria, consulte con un profesional local de tratamiento de agua para buscar alguna solución. Asegúrese de que el calentador del agua esté conectado a tierra. La garantía del fabricante no cubre los daños derivados de un agua de calidad precaria o de la falta de sustitución de la barra de ánodo. Si tiene otras preguntas, póngase en contacto con el soporte técnico.

Para cambiar la barra de ánodo:

1. Desconecte la alimentación y vacíe el calentador (consulte la sección “Vaciado del calentador”).
2. Retire la resistencia (consulte la sección anterior).
3. Desatornille la barra de ánodo de la conexión roscada.
4. Retire y sustituya la barra de ánodo (Figura 7, N).
5. Vuelva a instalar la resistencia.
6. Llene el tanque con agua y purgue el aire antes de restablecer la alimentación.

E. Descalcificación de la resistencia

Los depósitos de cal pueden afectar la capacidad de calentamiento de la resistencia. Los depósitos pesados de cal pueden incluso dañar la resistencia. La resistencia puede descalcificarse bien sea química o manualmente.

- Sumerja la resistencia en vinagre blanco o en otra solución descalcificadora de grado alimenticio aprobada para el uso en sistemas de agua potable.
- Una vez efectuada la descalcificación, aclare bien con agua fresca/solución de bicarbonato.

La resistencia también se puede descalcificar manualmente:

- Después de que la resistencia se ha secado, use un cepillo suave (no metálico, para evitar dañar la protección de acero inoxidable) sobre la resistencia.
- Elimine los minerales secos.

Sustituya la barra de ánodo si está visiblemente deteriorada o resulta considerablemente más pequeña frente a la descripción de la sección “Inspección de la barra de ánodo”.

Vuelva a instalar la resistencia después de haberla descalcificado. Asegúrese de que la junta de la resistencia esté instalada y de que la resistencia se haya vuelto a cablear correctamente.

PRECAUCIÓN

Asegúrese de que el tanque se haya vuelto a llenar con agua antes de restablecer la alimentación al calentador. La garantía NO cubre daños causados por un “encendido en seco”.

Parte 8 - Solución de problemas

Problema	Solución
El agua no se calienta	Asegúrese de que la alimentación esté encendida y funcione correctamente.
	Si la luz no se enciende, revise que el botón de restablecimiento del límite alto esté apretado. Lleve a cabo el procedimiento descrito en este manual para restablecer el interruptor.
	Si la luz del indicador funciona correctamente pero la temperatura no aumenta en el punto de suministro, compruebe que no haya un cruce en la tubería. Cierre el suministro del agua fría al calentador y abra el grifo del agua caliente. No debería haber flujo de agua. Si hay un flujo de agua continuo querrá decir que hay un cruce que afecta la temperatura y es necesario corregirlo.
	Póngase en contacto con un técnico de servicio cualificado para probar la capacidad de la resistencia (8-10 ohm). La resistencia debe sustituirse si las lecturas están por fuera de estos valores.
Luz no encendida	Si la luz no se enciende, pero el agua se calienta, revise si hay una bombilla defectuosa.
	Revise que el botón de restablecimiento del límite alto esté apretado. Lleve a cabo el procedimiento descrito en este manual.
Agua marrón	El agua marrón u oxidada indica el deterioro de la barra de ánodo y posiblemente del cuerpo del tanque. Revise la barra del ánodo. Consulte las instrucciones descritas en este manual. Revise el tanque para comprobar que no presente pérdidas.
Olor del agua	El agua con mal olor puede deberse a una reacción inusual entre el agua local y la barra de ánodo del calentador. Revise la barra del ánodo. Consulte las instrucciones descritas en este manual. De lo contrario, el tanque puede sufrir daños y pueden presentarse pérdidas.
Pérdidas	Revise las conexiones del agua y la conexión de la válvula de temperatura y presión en la parte superior del tanque. Quite la cubierta frontal y revise la junta de la resistencia.
	Si el tanque presenta pérdidas, revise la garantía para comprobar si aún está vigente.

Table 9 - Solución de problemas

⚠ ADVERTENCIA

El riesgo de lesiones por quemaduras aumenta a medida que aumenta la temperatura del agua. Un parámetro más bajo resulta más económico y reduce el riesgo de quemaduras. Use una válvula de templado o de mezcla y preste extrema atención al usar agua caliente para evitar lesiones por quemaduras. Consulte los códigos para comprobar la conformidad. De no seguir las instrucciones en esta nota de advertencia, se puede dar lugar a lesiones personales graves o incluso la muerte por quemadura.

Asegúrese de desconectar la alimentación eléctrica antes de efectuar el servicio técnico. De lo contrario, podrían producirse descargas eléctricas, daños materiales, lesiones graves o incluso la muerte.

PRECAUCIÓN

Si es necesario vaciar el calentador, abra la válvula de temperatura y presión o un grifo de agua caliente para evitar que se forme vacío en el tanque y en las tuberías.

A. Restablecimiento del límite alto

Ocasionalmente, el límite de temperatura alto apaga el dispositivo y puede activar el reinicio. Esto ocurre cuando la temperatura del agua supera los 190°F (87,8 °C). El dispositivo de apagado puede accionarse asimismo debido a un apagón o tormenta eléctrica.

Para alcanzar el termostato:

- Desconecte el cable de alimentación (o apague el cortacircuitos - Modelo 8) y quite la tapa frontal.
- Presione firmemente el botón de restablecimiento con la punta de un bolígrafo o un objeto parecido. Véase la Figura 8, B.

Un clic indica que el restablecimiento se ha accionado.

- Vuelva a conectar la alimentación.
- Revise el funcionamiento del termostato. Consulte la siguiente sección.

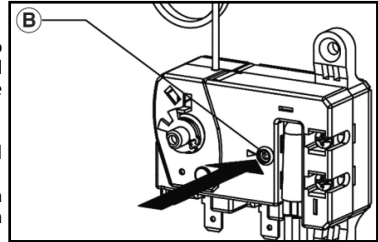


Figure 17 - Vista detallada del restablecimiento del interruptor de límite alto

PRECAUCIÓN

Póngase en contacto con un técnico si es necesario restablecer con frecuencia el límite alto.

B. Revisión del funcionamiento del termostato

Para revisar el funcionamiento del termostato:

- Gire el selector de temperatura de alto a bajo. Si la luz roja no se apaga en la configuración baja, desconecte la alimentación y solicite a un técnico de servicio cualificado la sustitución del termostato.
- Si la luz se apaga, querrá decir que el termostato está funcionando correctamente.
- Gire el selector al valor deseado. **NOTA:** Un parámetro más bajo resulta más económico y reduce el riesgo de quemaduras.
- Sustituya la placa de cubierta.

NOTA: Después de ajustar la temperatura del agua en el termostato, deje que el calentador la caliente el tiempo suficiente. Una vez que el calentador ha dejado de calentar, use un termómetro para medir la temperatura del agua en un punto de salida de agua caliente en la estructura.

C. Sustitución de la resistencia

- Desconecte la alimentación y vacíe el calentador (consulte el procedimiento descrito en este manual).
- Quite la resistencia (consulte el procedimiento descrito en este manual).
- Instale una nueva resistencia con su respectiva junta, y asegúrese de que queden perfectamente puestas. Apriete las tuercas de retención y realice las conexiones.
- Asegúrese de que el sensor de temperatura del termostato esté insertado en el casquillo situado en el ensamble de la resistencia y asegurado con una arandela de goma negra.
- Vuelva a llenar el tanque con agua antes de restablecer la alimentación.

D. Cambio del termostato

- Apague la alimentación.
- Desconecte los dos (2) conectores de cable en el termostato.
- Afloje los dos (2) tornillos de latón del lado derecho del termostato y extraiga los cables.
- Desatornille y quite los dos (2) tornillos Phillips que fijan el termostato al tanque.
- Instale el nuevo termostato y vuelva a poner los cables y los tornillos.
- Asegúrese de que el sensor de temperatura del termostato esté insertado en el casquillo situado en el ensamble de la resistencia y asegurado con una arandela de goma negra.

Parte 9 - Repuestos

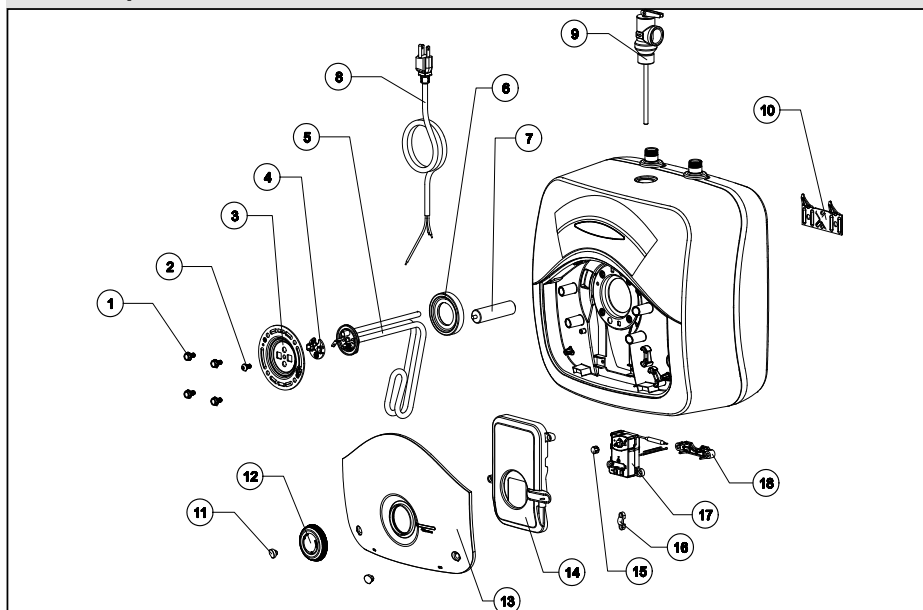


Figure 18 - Repuestos

Artículo #	Descripción	Parte #			Artículo #	Descripción	Parte #		
		Modelo					Modelo		
		2.5	4	8			2.5	4	8
1	Tornillo M6x12 (fijación de brida)	65114656	65114656	65114656	10	Soporte para montaje en pared	570341	570341	570341
2	Tornillo M6x12 (fijación de la resistencia)	993000	993000	993000	11	Tapa de tornillo	65118195	65118195	65118195
3	Brida	65115359	65115359	65115359	12	Perilla	65118186	65118186	65118186
4	Protección Faston	65118180	65118180	65118193	13	Cubierta plástica	65118196	65118196	65118197
5	Resistencia	65118181	65118182	65118194	14	Protección plástica	65118189	65118189	65118190
6	Junta de la resistencia	65116115	65116115	65116115	15	Palanca del termostato	570029	570029	570029
7	ánodo de magnesio	65103768-01	65103768-01	977127-01	16	Clip del cable	65150321	65150321	65150321
8	Cable de alimentación	65118183	65118183	65118184	17	Termostato cableado TBSB	65118191	65118192	65118192
9	Válvula de temperatura y presión 3/4"	65150323	65150323	65150323	18	Soporte para termostato TBSB	65115134	65115134	----

Table 10 - Números de los repuestos

Garantía limitada del calentador de agua eléctrico mini tanque

El fabricante garantiza el calentador de agua eléctrico para puntos de uso de baja demanda y de sus componentes contra defectos de material y mano de obra conforme a los términos, condiciones y períodos de tiempo indicados. SALVO INDICACIONES EN CONTRARIO ESTA GARANTÍA ENTRA EN VIGOR EN LA FECHA DE INSTALACIÓN DEL EQUIPO. Esta garantía limitada se pone a disposición únicamente del **comprador-usuario original** (en lo sucesivo denominado "propietario") del calentador de agua, y no puede cederse a terceros.

PERÍODOS DE GARANTÍA

Calentador de agua eléctrico mini tanque	Partes	Tanque
	Dos (2) años	Seis (6) años

COBERTURA

A. Durante los dos (2) primeros años a partir de la fecha original de instalación, el fabricante garantiza que reparará o sustituirá, a su discreción, cualquier componente del calentador que presente defectos o problemas de funcionamiento. Los componentes sustitutivos se garantizarán durante noventa (90) días.

B. Si un defecto o problema de funcionamiento produjera una pérdida de agua del calentador en los seis (6) primeros años a partir de la fecha original de instalación, debido a defectos de material o mano de obra, problemas de funcionamiento o incapacidad de cumplir con la garantía arriba expuesta, una vez que un representante autorizado del fabricante verifique dicho defecto o problema, el fabricante reparará o sustituirá, a su discreción el calentador defectuoso o con problemas de funcionamiento. La sustitución se realizará con el modelo más cercano al modelo disponible en el momento de la sustitución. El calentador de repuesto se garantizará por el tiempo que quede del período de garantía del calentador original.

C. En caso de pérdida de agua de un calentador de repuesto debido a defectos de material o mano de obra, problemas de funcionamiento o incapacidad de cumplir la garantía arriba expuesta, el fabricante se reserva el derecho a reembolsar al propietario el precio de venta publicado disponible en el momento de fabricación del calentador original.

D. Si las normativas legales, las certificaciones de la industria u otros estándares análogos requirieran la sustitución del calentador de agua o de componente(s) del mismo que tengan características o funciones no presentes en el calentador o el(los) componente(s) defectuosos, se le cobrará al propietario la diferencia de precio que suponen dichas características o funciones. Si el propietario paga la diferencia de precio por dichas características o funciones y/o para mejorar el tamaño y/o las características y funciones disponibles en un nuevo calentador o componente(s) sustitutivos, el propietario recibirá también una nueva garantía limitada completa para dicho calentador o componente(s).

E. Si en el momento en que se solicita el servicio técnico, el propietario no puede producir una copia del recibo original de venta o el registro de la garantía, el período de garantía del calentador se considerará la fecha de fabricación del calentador y NO la fecha de instalación del mismo, y cubrirá el período aún vigente de la garantía detallada anteriormente.

F. Esta garantía se amplía únicamente a los calentadores empleados en aplicaciones de calentamiento del agua correctamente instaladas por profesionales cualificados siguiendo las instrucciones de instalación del fabricante.

G. El fabricante y el propietario acuerdan expresamente que las reparaciones, sustituciones o reembolsos son el remedio exclusivo del propietario.

RESPONSABILIDADES DEL PROPIETARIO

El propietario o el instalador cualificado/técnico de servicio deben:

1. Disponer la instalación de una válvula de alivio que lleve la

marca de la Sociedad Estadounidense de Ingenieros Mecánicos (ASME) con el ensamble del calentador conforme a los códigos federales, estatales y locales.

2. Disponer la instalación de una válvula de alivio de vacío certificada según ANSI Z21.22 - Válvulas de alivio para sistemas de suministro de agua caliente, con el ensamble del calentador, conforme a los códigos federales, estatales y locales y en instalaciones adecuadas para aspirar los daños correspondientes.

3. Realizar el mantenimiento del calentador de acuerdo con el procedimiento de mantenimiento indicado en las instrucciones suministradas por el fabricante. El mantenimiento preventivo puede ayudar a evitar daños innecesarios del calentador de agua y hacer que funcione según la eficiencia máxima para la cual está diseñado.

4. Mantener todos los componentes del sistema en perfectas condiciones de funcionamiento.

5. Usar el calentador en un sistema abierto o en un sistema cerrado con un vaso de expansión térmica correctamente dimensionado e instalado.

6. Usar el calentador a valores de presión del agua que no superen la presión de trabajo indicada en la placa de características técnicas.

7. Mantener el calentador de agua libre de depósitos de cal nocivos.

8. Asegurarse de que el calentador y sus componentes y conexiones se instalen de manera tal que si se presentan pérdidas debido al flujo de agua, no se provoquen daños al área en la que se encuentra instalado.

EXCLUSIONES DE LA GARANTÍA

Esta garantía limitada no cubre:

1. Calentadores de agua comprados a distribuidores no autorizados.

2. Calentadores de agua no instalados por instaladores/técnicos de servicio cualificados, o instalaciones que no cumplan con las normas ANSI, CSA y/o UL, así como con los códigos de construcción nacionales o locales pertinentes.

3. Viajes de servicio técnico para enseñar al propietario a instalar, usar, realizar el mantenimiento del calentador o actuar en el cumplimiento de los códigos y normativas de construcción locales.

4. Mano de obra de los instaladores. El fabricante declina toda responsabilidad por daños causados por instalaciones, reparaciones o mantenimiento inadecuados.

5. Costes de electricidad o combustible, o aumentos o ahorros no obtenidos por cualquier motivo.

6. Daños causados por el agua, debidos directa o indirectamente a defectos en el calentador o en componentes del mismo o de su uso.

7. Daños incidentales, derivados, especiales o contingentes o gastos que surjan directa o indirectamente de cualquier defecto en el calentador de agua o del uso del mismo.

8. Incumplimiento de la disposición de ubicar el calentador de agua en un área en la que posibles pérdidas del tanque o de las conexiones de la línea de agua y la válvula de alivio no puedan causar daños al área alrededor o a las plantas del edificio que se encuentren debajo, así como incumplimiento de la disposición de instalar una bandeja colectora debidamente dimensionada y encañalada hacia un punto de drenaje aprobado.

9. Cualquier componente del sistema no fabricado por el fabricante como parte del calentador de agua.

10. Calentadores de agua reparados o manipulados sin previo consentimiento del fabricante por escrito.

11. Daños, problemas de funcionamiento o fallos derivados de una instalación incorrecta, o incumplimiento en el seguimiento de los códigos/decretos pertinentes en materia de construcción o con las prácticas más adecuadas de fontanería y electricidad a la hora de instalar el calentador de agua, así como incumplimiento en el uso y el mantenimiento del calentador según las instrucciones proporcionadas por el fabricante.

12. Daños, problemas de funcionamiento o fallos derivados del incumplimiento de la disposición de uso del calentador a presiones que no superen el valor de presión de trabajo

indicado en la placa de características técnicas.

13. Incumplimiento de la disposición de usar el calentador en un sistema abierto o en un sistema cerrado con un vaso de expansión térmica correctamente dimensionado e instalado.

14. Fallo o problemas de desempeño debidos a un dimensionamiento inadecuado del calentador de agua, del vaso de expansión, de los tubos, de la tensión eléctrica de servicio, del cableado o de los fusibles.

15. Daños, problemas de funcionamiento o fallos debidos a falta de mantenimiento de la barra de ánodo.

16. Daños, problemas de funcionamiento o fallos debidos a condiciones de vacío.

17. Daños, problemas de funcionamiento o fallos debidos al uso del calentador con componentes modificados, indebidamente manipulados o no aprobados, o cualquier componente/añadido no suministrado por el fabricante.

18. Daños, problemas de funcionamiento o fallos debidos a abuso, accidentes, incendios, inundaciones, congelación, rayos, reacciones electroquímicas, casos fortuitos, etc.

19. Fallos del tanque (pérdidas) debidos al uso del calentador en atmósferas corrosivas o contaminadas.

20. Daños, problemas de funcionamiento o fallos debidos al uso del calentador con el tanque vacío o parcialmente vacío ("encendido en seco"), o fallos debidos al uso del calentador cuando no se ha alimentado con agua potable, con libre circulación en todo momento.

21. Fallo del calentador debido a la acumulación de materiales sólidos o depósitos de cal.

22. Daños o fallos derivados de calidades químicas del agua incorrectas, o del calentamiento de cualquier otra cosa diferente del agua potable.

23. Producción de ruido, sabor, olor, decoloración o agua oxidada.

24. Calentadores sustituidos por motivos estéticos.

25. Componentes del calentador que no sean defectuosos, pero que deban sustituirse durante el período de garantía debido a un desgaste normal y razonable.

26. Componentes del calentador cubiertos por garantías, si las hay, de sus respectivos fabricantes; el fabricante no adopta dichas garantías.

27. Daños, problemas de funcionamiento o fallos derivados del uso de accesorios no suministrados por el fabricante.

28. Calentadores instalados fuera de los cincuenta estados (y el Distrito de Columbia) de los Estados Unidos de América y Canadá.

29. Calentadores que se han trasladado de su lugar de instalación original.

30. Calentadores a los que se les ha quitado la placa de características técnicas.

PROCEDIMIENTOS PARA LA SOLICITUD DE SERVICIO TÉCNICO EN GARANTÍA

Cualquier solicitud de asistencia en garantía debe enviarse prontamente. Determine si el calentador está "bajo garantía" (es decir, si la garantía aún está vigente) revisando una copia del recibo de venta original o el registro de la garantía. El propietario debe presentar una copia del recibo de venta original o el registro de la garantía, al solicitar el servicio técnico bajo garantía.

Si el calentador está "bajo garantía", póngase en contacto con el vendedor del aparato (o el instalador) para solicitar asistencia. Está preparado para suministrarle al vendedor o al instalador una copia del recibo original, los números completos de modelo y de serie, y la fecha de instalación del calentador, y una descripción del problema que este presenta.

El período de vigencia de la garantía será revisado por el personal del departamento de reclamaciones del cliente. Cualquier componente defectuoso o con problemas de funcionamiento debe restituirse al fabricante mediante los canales de distribución locales en los que se ha realizado la compra. **NOTA: Todo componente o calentador restituido al fabricante para el análisis en garantía, se convertirá en propiedad del fabricante y no se restituirá, si bien se niegue el crédito.** Si todas las condiciones de la garantía se cumplen, el fabricante se encargará de sustituir los componentes al vendedor.

Si tiene preguntas sobre la validez de esta garantía, póngase en

contacto con el fabricante a la siguiente dirección o al siguiente número de teléfono: HTP, 272 Duchaine Blvd, New Bedford, MA, 02745, A la atención de: Warranty Service Department, 1(800) 323-9651.

COSTES DE SERVICIO TÉCNICO, LABOR Y EXPEDICIÓN

Salvo en los casos en los que las leyes estatales pertinentes lo prohíben específicamente, será responsabilidad del propietario, y no del fabricante, correr con todos los costes a efectos de labor y demás gastos relacionados con el desmontaje, la reparación o la sustitución del equipo o de cualquiera de sus componentes que presenten defectos, o con los gastos que suponga el reparar los posibles defectos en el producto. Dichos costes incluirán entre otros:

1. Todos los costes de transporte, expedición, manutención y entrega al propietario del nuevo aparato o de los repuestos.
2. Todos los costes necesarios o incidentales del desmontaje del aparato o el(los) componente(s) defectuoso(s) y la instalación de un nuevo aparato o componente(s).
3. Todos los gastos administrativos que tenga que afrontar el propietario, así como por material necesario para completar, o los permisos que se requieran para ello, la instalación del nuevo aparato o de lo(s) repuestos.
4. Todos los costes necesarios o incidentales de la restitución del calentador o de sus componentes al lugar indicado por el fabricante.

LIMITACIONES DE LA GARANTÍA Y REMEDIOS

LA GARANTÍA ARRIBA EXPUESTA ES EXCLUSIVA Y SE OFRECE Y SE ACEPTA EN TODA SU EXTENSIÓN BAJO LA LEY PERTINENTE EN LUGAR DE CUALQUIER OTRA GARANTÍA, EXPRESA O TÁCITA, INCLUYENDO ENTRE OTRAS LAS GARANTÍAS IMPLÍCITAS DE COMERCIABILIDAD E IDEONEIDAD PARA UN PROPÓSITO DETERMINADO Y CUALQUIER OBLIGACIÓN, RESPONSABILIDAD, DERECHO, RECLAMACIÓN O REMEDIO, BIEN SEA CONTRACTUAL O EXTRA CONTRACTUAL, SI BIEN DERIVE O NO DE NEGLIGENCIA DEL FABRICANTE TANTO EFECTIVA COMO IMPUTADA. LOS REMEDIOS DEL PROPIETARIO SE LIMITARÁN A AQUELLOS QUE AQUÍ SE INDICAN, CON EXCLUSIÓN DE CUALQUIER OTRO REMEDIO INCLUYENDO, ENTRE OTROS, DAÑOS INCIDENTALES O DERIVADOS, QUE PUEDEN SUPONER, ENTRE OTROS, DAÑOS A LA PROPIEDAD, PÉRDIDA DE GANANCIA POR PRESUNTOS DAÑOS CAUSADOS POR EL INCUMPLIMIENTO DE LAS OBLIGACIONES DEL FABRICANTE BAJO EL PRESENTE ACUERDO, INCLUYENDO LA OBLIGACIÓN DE REPARACIÓN Y SUSTITUCIÓN MENCIONADA ANTERIORMENTE. NINGÚN ACUERDO QUE CAMBIE O AMPLIE LO ESTABLECIDO EN LA PRECEDENTE GARANTÍA O ESTA LIMITACIÓN TENDRÁ CARÁCTER VINCULANTE PARA EL FABRICANTE, SALVO QUE SE HAGA POR ESCRITO Y ESTÉ FIRMADO POR UN FUNCIONARIO DEBIDAMENTE AUTORIZADO DEL FABRICANTE. LA GARANTÍA QUE AQUÍ SE ESTABLECE NO PUEDE CEDERSE A TERCEROS Y ES PARA USO EXCLUSIVO DEL PROPIETARIO.

NINGUNA OTRA GARANTÍA

Esta garantía le brinda al propietario derechos legales específicos. El propietario puede tener también otros derechos que varían de un estado a otro. Algunos países no permiten la exclusión o limitación de los daños incidentales o derivados, por lo que esta limitación o exclusión puede no tener validez para el propietario.

Esta es la única garantía escrita válida para el calentador de agua fabricado y vendido por el fabricante. El fabricante no asume responsabilidad alguna ni autoriza a nadie a asumir responsabilidades u obligaciones con respecto a dichos calentadores de agua.

El fabricante se reserva el derecho a modificar las especificaciones o a discontinuar los modelos sin necesidad de previo aviso.

Formulario de registro de la instalación del cliente

El siguiente formulario deberá ser cumplimentado por el instalador/técnico de servicio cualificado, y deberá llevarse como registro de la instalación en caso de reclamación bajo garantía. Después de haber leído las importantes notas presentes en la parte de abajo de la página, firme este documento.

Nombre del cliente	
Fecha de instalación	
Dirección de instalación	
Número(s) de modelo y serie del producto	
Comentarios	
Código/nombre del instalador	
Teléfono del instalador	
Firmado por el instalador	
Firmado por el cliente	
Notas sobre la instalación	

IMPORTANTE

Cliente: Firme el documento únicamente después de que el instalador/técnico de servicio cualificado haya revisado perfectamente la instalación, la seguridad, el funcionamiento correcto y el mantenimiento del sistema. Si el sistema presenta problemas, póngase en contacto con el instalador/técnico de servicio cualificado. Si no consigue ponerse en contacto con este, llame a su representante de ventas.

Distribuidor/concesionario: Proporcione los datos de contacto.



Mini-ballon électrique Chauffe-eau

Mode d'emploi et d'entretien

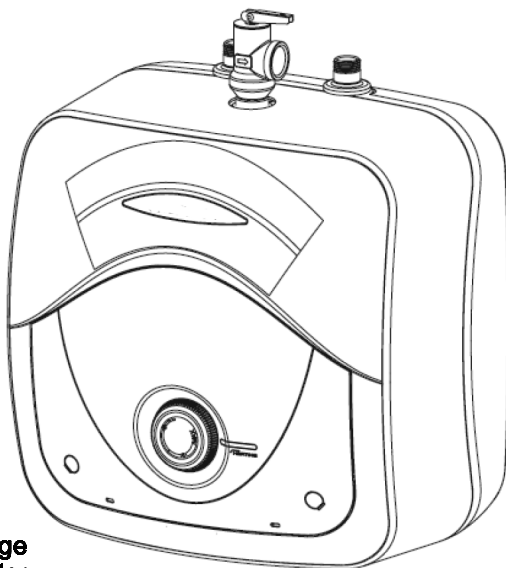
Installation

Mise en service

Maintenance

Pièces

Garantie



⚠ AVERTISSEMENT

Ce manuel doit être utilisé uniquement par un installateur / technicien de maintenance qualifié. Lire toutes les instructions de ce manuel avant de procéder à l'installation. Effectuer les opérations dans l'ordre indiqué. Tout non-respect de cette consigne peut entraîner des dégâts matériels considérables, des dommages corporels graves voire la mort.

Avertissement Proposition 65 de la Californie : Ce produit contient des produits chimiques reconnus par l'État de Californie pour provoquer des cancers et des malformations congénitales ou autres problèmes de reproduction.

AVIS

Le fabricant se réserve le droit d'apporter des modifications ou des mises à jour sur le produit sans préavis et pourra être tenu pour responsable des erreurs typographiques dans la documentation.

Les surfaces de ces produits en contact avec de l'eau potable (consommable) contiennent moins de 0,25 % de plomb en poids, comme l'exige la Loi sur la salubrité de l'eau, Section 1417, et sont certifiées comme telles par l'IAPMO.

REMARQUE À L'ATTENTION DU CLIENT : VEUILLEZ CONSERVER TOUTES LES INSTRUCTIONS POUR Y FAIRE RÉFÉRENCE ULTÉRIEUREMENT.

⚠ DANGER ⚠

Pour réduire le risque de choc électrique, débrancher la prise d'alimentation avant de remplacer le dispositif de protection thermique

ATTENTION

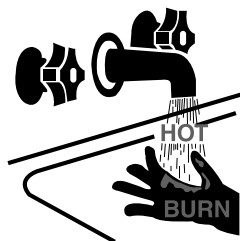
Pour réduire le risque de choc électrique ou d'incendie, n'utiliser l'appareil que sur une alimentation présentant un système à trois conducteurs, et une tension maximum de 125/250 Volts

⚠ AVERTISSEMENT ⚠

Ne pas mettre le chauffe-eau sous tension avant que le réservoir ne soit complètement rempli d'eau. Les éléments chauffants risquent de griller s'ils ne sont pas immergés dans l'eau. Débrancher la source d'alimentation électrique avant de vidanger le chauffe-eau ou de retirer le couvercle de celui-ci

AVIS

Les pièces internes de ce réservoir ont été construites et soumises à des essais par le fabricant pour supporter une température de 205°C(400°F).

⚠ DANGER ⚠

Une température d'eau supérieure à 52°C (125°F) peut causer instantanément des brûlures graves voire la mort par ébullition. Les enfants, les handicapés et les personnes âgées courent un risque plus élevé d'être ébouillantés. Voir le manuel d'instructions avant de régler la température de l'eau du chauffe-eau. Toucher l'eau pour vérifier sa température avant de prendre un bain ou une douche. Des soupapes de sécurité thermique sont disponibles. Voir le manuel.

CONDUITE D'EAU CHAUDE ↑**⚠ AVERTISSEMENT! ⚠**

Installer les équipements de protection contre les températures et pressions excessives exigés par les codes en vigueur, en particulier au moins une soupape de décharge et de sécurité thermique combinée certifiée conforme aux spécifications pour les soupapes de décharge et les dispositifs de coupure automatique du gaz pour les circuits de distribution d'eau chaude, ANSI Z21.22, par un laboratoire d'essai de renommée nationale qui assure l'inspection périodique de production de matériels et d'équipements homologués. La soupape doit être orientée, équipée de tubes, ou installée de toute autre manière, de sorte que l'évacuation ne puisse se faire qu'à moins de 15 cm (6 po) au-dessus, ou à toute distance en dessous, du sol, et ne puisse venir en contact avec aucune pièce électrique sous tension. Voir le manuel d'instructions pour plus de détails sur les procédures correctes d'installation et de maintenance.

⚠ AVERTISSEMENT! ⚠

Ne pas appliquer de chaleur aux raccords lors de réalisation de raccords soudés à l'étain sur le chauffe-eau. Souder à l'étain les tubes sur les adaptateurs avant de raccorder les adaptateurs aux connexions d'eau du chauffe-eau. Il est impératif de n'appliquer aucune chaleur aux connexions d'eau car elles peuvent contenir des matériaux non métalliques.

AVERTISSEMENT

L'EAU TRÈS CHAUDE PEUT CAUSER DES BRÛLURES DU 3^{ème} DEGRÉ EN 6 SECONDES À 60°C (140°F), EN 30 SECONDES À 54°C (130°F).

LES THERMOSTATS ONT ÉTÉ RÉGLÉS EN USINE EN DESSOUS DE 52°C (125°F). CONTACTER UN SPÉCIALISTE POUR LES RÉGLAGES. NE PAS EFFECTUER L'ENTRETIEN DE LA TIGE D'ANODE AU MOINS UNE FOIS PAR AN PEUT ENTRAÎNER UNE DÉFAILLANCE ET UNE FUITE DU RÉSERVOIR.

ATTENTION

UNE SOUPAPE DE DÉCHARGE LIMITANT LA PRESSION À 1034 kPa DOIT ÊTRE INSTALLÉE

CASES INDIQUANT UNE ATTENTION SPÉCIALE

Les termes définis ci-après sont utilisés dans ce manuel pour attirer l'attention sur la présence de dangers à divers degrés de risque ou sur des informations importantes sur le produit.

DANGER

DANGER : indique une situation de danger imminent qui, si elle n'est pas évitée, provoquera de graves blessures ou la mort.

AVERTISSEMENT

MISE EN GARDE : indique une situation de danger potentiel qui, si elle n'est pas évitée, peut provoquer la mort ou des blessures ou la mort.

PRUDENCE

PRUDENCE : indique une situation de danger potentiel qui, si elle n'est pas évitée, peut provoquer des blessures modérées à mineures.

PRUDENCE

Le terme **PRUDENCE** utilisé sans le symbole d'alerte de sécurité indique une situation potentiellement dangereuse qui, si elle n'est pas évitée, peut entraîner des dommages matériels.

AVIS

REMARQUE : est utilisée pour aborder des pratiques qui ne sont pas liées à des blessures corporelles.

Avant-propos

Ce manuel est destiné à être utilisé avec d'autres documents fournis avec le chauffe-eau. Cela inclut toutes les informations de contrôle associées. Il est important que ce manuel, tous les autres documents inclus dans ce système, et les publications supplémentaires soient entièrement examinés avant de commencer toute opération. L'installation doit être effectuée conformément aux réglementations de l'autorité compétente, des autorités réglementaires locales et des entreprises de services publics qui se rapportent à ce type d'équipement de chauffage de l'eau.

L'autorité compétente - L'autorité compétente peut être un gouvernement local, étatique, fédéral ou un individu, par exemple un chef des pompiers, un responsable des incendies, un responsable du bureau de prévention des incendies, un département du travail ou de la santé, un inspecteur des installations électriques ou un inspecteur officiel des bâtiments, ou toute autre personne ayant un pouvoir légal. Dans certaines circonstances, le propriétaire ou son agent assume le rôle et, dans les installations gouvernementales, le commandant ou le responsable du département peut être l'autorité compétente.

REMARQUE : Le fabricant se réserve le droit de modifier les caractéristiques techniques du produit et les composants sans préavis.

Pour l'installateur

Le chauffe-eau doit être installé par un personnel qualifié et agréé. L'installateur doit toujours respecter les instructions fournies avec le chauffe-eau, ainsi que les codes locaux et les exigences des entreprises de services publics.

Les installations doivent respecter :

Les codes, lois, réglementations et ordonnances locaux, étatiques, provinciaux et nationaux.

La dernière version du *National Electrical Code, NFPA No. 70*.

Table des matières

Partie 1 - Informations générales relatives à la sécurité	44	D. Condensation	50
A. Lors de l'entretien du circuit de chauffage d'eau	45	E. Vanne de décharge de type pression-température	50
B. Chauffe-eau	45	F. Échaudures	51
C. Protection contre le gel	45	G. Remplissage du chauffe-eau	52
D. Réglage de la température de l'eau	46	Partie 4 - Raccordement électrique	52
Partie 2 - Préparer le chauffe-eau	46	Partie 5 - Liste de vérification d'installation	53
A. Présentation du modèle	46	Partie 6 - Fonctionnement	53
B. Localisation du chauffe-eau	46	A. Démarrage et test	53
C. Exigences relatives aux propriétés chimiques de l'eau	47	B. Réglage du thermostat	53
D. Spécifications techniques et dimensions	49	Partie 7 - Maintenance	53
Partie 3 - Instructions d'installation	49	A. Retrait du capot	54
A. Montage du chauffe-eau	49	B. Vidange du chauffe-eau	54
1. Montage mural	49	C. Retrait de la résistance chauffante	54
2. Montage au sol	49	D. Inspection de la tige d'anode	54
B. Plomberie	49	E. Détartrage de la résistance chauffante	55
C. Expansion thermique	50		

Partie 8 - Dépannage	55	Partie 9 - Pièces de rechange	57
A. Réinitialisation de l'interrupteur de limite supérieure	56	Garantie limitée du chauffe-eau électrique à mini-ballon	58
B. Contrôle du fonctionnement du thermostat	56	Formulaire d'enregistrement de l'installation client	60
C. Remplacement de la résistance chauffante	56		
D. Remplacement du thermostat	56		

AVERTISSEMENT

CONSIGNES DE SÉCURITÉ IMPORTANTES

Lors de l'utilisation d'un appareil électrique, des précautions de sécurité élémentaires doivent être respectées afin de réduire les risques d'incendie, de choc électrique ou de blessures corporelles, notamment :

1. LIRE TOUTES LES INSTRUCTIONS AVANT D'UTILISER CE CHAUFFE-EAU.
2. Ce chauffe-eau doit être mis à la terre. Le brancher uniquement à une prise correctement mise à la terre. Voir Partie 4 - Câblage du chauffe-eau, dans ce manuel pour connaître les détails de mise à la terre.
3. Installer ou placer ce chauffe-eau uniquement conformément aux instructions d'installation fournies.
4. Utiliser ce chauffe-eau uniquement pour l'usage auquel il est destiné, comme décrit dans ce manuel.
5. Les modèles 2.5 et 4 sont équipés d'un cordon d'alimentation. Ne pas utiliser de rallonge avec ce chauffe-eau. Si aucune prise n'est disponible à proximité du chauffe-eau, contacter un électricien qualifié pour en installer une de manière appropriée. Le modèle 8 doit être câblé. Voir les instructions d'installation pour plus de détails.
6. Comme pour tout appareil, une surveillance étroite est nécessaire en cas d'utilisation par des enfants.
7. Ne pas faire fonctionner ce chauffe-eau si son cordon ou sa fiche est endommagé(e), s'il ne fonctionne pas correctement ou s'il a été endommagé ou s'il est tombé.
8. La maintenance de ce chauffe-eau doit être réservée uniquement à un personnel de service qualifié. Contacter l'installateur du chauffe-eau ou un centre de service qualifié pour demander une vérification, une réparation ou un réglage.
9. Si la tige d'anode n'est pas inspectée au moins une fois par an, cela peut entraîner une panne et une fuite du ballon. Les dommages résultant de cette situation ne sont pas couverts par la garantie du fabricant.

CONSERVER CES INSTRUCTIONS

Partie 1- Informations générales relatives à la sécurité

Ce chauffe-eau est homologué uniquement pour les installations intérieures et n'est pas conçu pour être utilisé comme chauffe-piscine. Le chauffe-eau doit disposer d'un espace suffisant pour le service : 24 pouces à l'avant, 6 pouces sur la partie supérieure, 1 pouce sur la partie gauche, 3 pouces sur la partie droite et 0 pouce sur la partie inférieure représentent les dégagements de service minimum recommandés. (Une porte ou un panneau amovible d'accès au combustible est acceptable pour le dégagement en partie avant). Ce chauffe-eau a été homologué pour une installation en armoire et une installation sur des planchers combustibles. Ne pas installer directement sur la moquette. Installer le chauffe-eau dans un endroit où une décharge de la vanne de décharge de type pression-température ou une fuite n'endommagera pas la zone environnante. Si vous ne disposez pas d'un tel emplacement, prévoir un bac de récupération auxiliaire.

AVERTISSEMENT

Installateur - Lire toutes les instructions de ce manuel avant de procéder à l'installation. Effectuer les opérations dans l'ordre indiqué.

Utilisateur - Ce manuel est destiné à être utilisé uniquement par un installateur de chauffage / technicien de service qualifié. Demander à un technicien de service qualifié de procéder à l'entretien / à l'inspection annuel(le) de ce chauffe-eau.

TOUT NON-RESPECT DES DIRECTIVES MENTIONNÉES SUR CETTE PAGE PEUT ENTRAÎNER DES DOMMAGES MATÉRIELS, DES DOMMAGES CORPORELS GRAVES OU LA MORT.

REMARQUE : Si le chauffe-eau est exposé aux éléments suivants, ne pas le faire fonctionner. Appeler immédiatement un technicien de service qualifié.

1. Incendie
2. Dommages
3. Eau

Tout non-respect de ces informations peut entraîner des dégâts matériels considérables, des dommages corporels graves voire la mort.

REMARQUE : Respecter tous les codes locaux. Obtenir toutes les autorisations applicables avant d'installer le chauffe-eau.

REMARQUE : Installer tous les composants du système et la tuyauterie de manière à ne pas réduire les performances de tout ensemble résistant au feu.

Le fabricant ne peut être tenu responsable des dommages résultant d'une installation incorrecte ou par le non-respect des instructions de ce manuel.

⚠️ AVERTISSEMENT

NE PAS UTILISER CE CHAUFFE-EAU SI UNE PIÈCE A ÉTÉ IMMERGÉE DANS L'EAU. Appeler immédiatement un technicien de service qualifié. Le chauffe-eau DOIT ÊTRE remplacé s'il a été immergé. Toute tentative d'utilisation d'un chauffe-eau immergé peut entraîner de nombreuses conditions dangereuses, telles qu'une fuite de gaz potentielle provoquant un incendie et/ou une explosion, ou la libération de moisissures, de bactéries ou autres particules nocives dans l'air. L'utilisation d'un chauffe-eau précédemment immergé peut entraîner des dégâts matériels considérables, des dommages corporels graves voire la mort.

REMARQUE : Une détérioration du chauffe-eau due à une inondation ou à une submersion sont considérés comme un cas de force majeure et NE SONT PAS couverts par la garantie du produit.

PRUDENCE

Ne pas utiliser ce chauffe-eau pour tout autre usage que celui auquel il est destiné (comme décrit dans ce manuel). Cela pourrait entraîner des dommages matériels et ANNULERAIT la garantie du produit.

Les sources de chaleur élevée (sources produisant une chaleur supérieure ou égale à 100°F / 37°C, comme les tuyaux de poêle, les chauffages d'appoint etc.) peuvent endommager les composants en plastique ainsi que les matériaux des tuyaux de ventilation en plastique. Ces dommages NE SONT PAS couverts par la garantie. Il est recommandé de garder un dégagement minimum de 8 pouces par rapport aux sources de chaleur élevée. Respecter les instructions du fabricant de la source de chaleur, ainsi que les codes, lois, réglementations et ordonnances locaux, étatiques, provinciaux et nationaux lors de l'installation de ce chauffe-eau et de ses composants correspondants à proximité de sources de chaleur élevée.

⚠️ DANGER

Du gaz hydrogène peut être généré dans un circuit d'eau chaude desservi par ce chauffe-eau en cas d'absence d'utilisation pendant une longue période (généralement 2 semaines ou plus). Le gaz hydrogène est extrêmement inflammable. Pour réduire le risque de blessure dans ces conditions, il est recommandé d'ouvrir le robinet d'eau chaude pendant plusieurs minutes au niveau de l'évier de la cuisine avant d'utiliser tout appareil électrique raccordé au circuit d'eau chaude. En cas de présence de gaz hydrogène, vous entendrez probablement un son inhabituel tel que de l'air s'échappant par le tuyau lorsque l'eau commence à s'écouler. Il ne doit pas y avoir de fumée ou de flamme nue près du robinet lorsqu'il est ouvert. Le non-respect de ces instructions peut entraîner de graves blessures corporelles ou la mort.

A. Lors de l'entretien du circuit de chauffage d'eau

⚠️ AVERTISSEMENT

S'assurer de débrancher l'alimentation électrique avant d'effectuer l'entretien. Tout non-respect de cette consigne peut entraîner un choc électrique, des dégâts matériels, des dommages corporels graves voire la mort.

Pour éviter tout choc électrique, débrancher l'alimentation électrique avant de procéder à la maintenance.

REMARQUE : Lorsque vous demandez des informations sur le service ou un dépannage, indiquez la référence du modèle et les numéros de série situés sur l'étiquette signalétique du chauffe-eau.

Pour éviter de graves brûlures, laisser le chauffe-eau et l'équipement correspondant refroidir avant de procéder à l'entretien.

AVIS

Une défaillance du ballon due à un manque de soin apporté à la tige d'anode n'est pas couverte par la garantie. Voir Maintenance, dans ce manuel.

B. Chauffe-eau

Ne pas utiliser de produits de nettoyage ou d'étanchéité à base de pétrole dans un circuit de chauffage d'eau. Les garnitures et les joints du circuit peuvent être endommagés. Cela peut entraîner des dommages matériels importants. Ne pas utiliser de « remèdes maison » ou de « médicaments brevetés ». Il peut en résulter des dégâts sur le chauffe-eau, des dommages matériels importants et/ou des blessures graves.

C. Protection contre le gel

REMARQUE : Prendre en compte la tuyauterie et l'installation au moment de définir l'emplacement du chauffe-eau.

⚠️ AVERTISSEMENT

Toute défaillance du chauffe-eau due à des dommages liés au gel N'EST PAS couverte par la garantie du produit.

⚠️ PRUDENCE

NE JAMAIS utiliser de produit chimique toxique, y compris l'antigel glycolé standard pour les voitures ou un éthylène glycol conçu pour les systèmes hydroniques (non potables). Ces produits chimiques peuvent attaquer les garnitures et les joints dans les circuits d'eau, sont toxiques s'ils sont consommés et peuvent entraîner des blessures ou la mort.

AVIS

DÉBALLAGE DU CHAUFFE-EAU - Toute réclamation pour dommage ou manque dans la livraison doit être immédiatement déposée contre la société de transport par le destinataire.

D. Réglage de la température de l'eau

Le thermostat du chauffe-eau a été pré-réglé en usine à une température inférieure ou égale à 125°F (51.7°C) conformément à la certification UL. Voir Figure 1. Si le chauffe-eau doit avoir une température de consigne supérieure à 120°F, il est recommandé d'utiliser une vanne mélangeuse ASSE 1017 pour éviter les brûlures graves ou la mort en raison de températures brûlantes.



Figure 19 - Thermostat

REMARQUE : Après avoir réglé la température de l'eau sur le thermostat, laisser au chauffe-eau suffisamment de temps pour chauffer l'eau à température. Une fois que le chauffe-eau a cessé de chauffer, utiliser un thermomètre pour mesurer la température de l'eau sur une sortie d'eau chaude du système.

Rapports approximatifs Durée / Température pour les échaudures	
120°F	Plus de 5 minutes
125°F	1 1/2 à 2 minutes
130°F	Environ 30 secondes
135°F	Environ 10 secondes
140°F	Moins de 5 secondes
145°F	Moins de 3 secondes
150°F	Environ 1 1/2 seconde
155°F	Environ 1 seconde

Table 11 - Rapports approx. Durée / Température pour les échaudures

⚠ AVERTISSEMENT

Les foyers comprenant des jeunes, des personnes handicapées ou des personnes âgées peuvent avoir besoin d'un réglage de température inférieur ou égal à 120°F afin d'éviter toute blessure grave ou la mort par échaudure.

Partie 2 - Préparer le chauffe-eau

Retirer tous les côtés de la caisse d'expédition pour permettre le déplacement du chauffe-eau dans son emplacement d'installation.

PRUDENCE

MANIPULATION PAR TEMPS FROID - Si le chauffe-eau a été stocké dans un endroit très froid (EN-DESSOUS DE 0°F) avant son installation, le manipuler avec soin jusqu'à ce que les composants atteignent la température ambiante. En cas de non-respect de cette consigne, le chauffe-eau subira des dégâts.

A. Présentation du modèle

Les figures suivantes détaillent les composants spécifiques du modèle de chauffe-eau. Certains composants peuvent être livrés déjà installés en usine. Cela dépend du modèle de chauffe-eau.

B. Localisation du chauffe-eau

⚠ AVERTISSEMENT

Ce chauffe-eau est homologué pour une utilisation en intérieur uniquement. NE PAS L'INSTALLER À L'EXTÉRIEUR. Les installations à l'extérieur NE SONT PAS couvertes par la garantie. L'installation du chauffe-eau à l'extérieur peut entraîner des dégâts matériels considérables, des dommages corporels graves voire la mort.

PRUDENCE

Tous les chauffe-eau finissent par fuir. Placer le chauffe-eau à un endroit où une éventuelle fuite provenant de la vanne de décharge, de sa tuyauterie associée, du ballon ou des raccords n'endommagera pas les zones environnantes ou les étages inférieurs du bâtiment. Tout chauffe-eau doit être installé de telle manière qu'en cas de fuite, l'écoulement d'eau n'endommagera pas la zone dans laquelle il est installé. Les codes de plomberie nationaux exigent un bac de récupération pour toute installation de chauffe-eau. L'absence d'installation d'un bac de récupération relève de l'unique responsabilité du propriétaire et/ou de l'installateur. Référence UPC 2000 (Code de Plomberie Uniforme) Section 510 - Protection contre les dommages ou IPC 200 (Code international de la plomberie) Section 504 - Dispositif de sécurité. Les dommages dus à des fuites NE SONT PAS couverts par la garantie.

De plus, des dispositifs de détection des fuites d'eau et des vannes d'arrêt automatiques de l'eau sont aisément disponibles dans les entreprises de fourniture de plomberie. IL EST FORTEMENT RECOMMANDÉ PAR LE FABRICANT D'INSTALLER DES DISPOSITIFS DE DÉTECTION DE FUITE D'EAU ET DES VANNES D'ARRÊT AUTOMATIQUE DANS TOUTE INSTALLATION DE CHAUFFE-EAU DANS LAQUELLE UNE FUITE D'EAU PEUT ENTRAÎNER DES DOMMAGES MATÉRIELS.

1. Conditions de fonctionnement Zone d'installation (Local technique)

- S'assurer que les températures ambiantes sont supérieures à 32°F / 0°C et inférieures à 104°F / 40°C
- Éviter des taux d'humidité élevés en permanence.
- Ne jamais fermer des ouvertures de ventilation existantes

REMARQUE : En cas d'installation dans un emplacement dénué de toute possibilité de dégagement, il ne sera peut-être pas possible de lire ou consulter certains étiquetages du produit. Il est recommandé de noter le modèle de chauffe-eau ainsi que le numéro de série.

REMARQUE : Une porte ou un panneau amovible d'accès au combustible est acceptable pour le dégagement en partie avant.

PRUDENCE

La durée de vie des surfaces métalliques exposées du chauffe-eau, telles que la boîte de jonction, est directement liée à la proximité des environnements marins humides et salés. Dans de tels zones, des taux de concentration plus élevés en chlorures provenant des embruns couplés à une humidité relative peuvent entraîner la dégradation des composants du chauffe-eau et une défaillance prématurée du chauffe-eau. De telles défaillances NE SONT PAS couvertes par la garantie.

Toute défaillance du chauffe-eau ou des composants due à des conditions de fonctionnement incorrectes N'EST PAS couverte par la garantie du produit.

⚠ AVERTISSEMENT

Des conditions ambiantes incorrectes peuvent entraîner une défaillance du système de chauffage et compromettre la sécurité de fonctionnement. S'assurer que l'emplacement d'installation respecte les informations mentionnées dans ce manuel. Tout non-respect de cette consigne peut entraîner des dégâts matériels, des dommages corporels graves voire la mort.

2. Choisir un emplacement pour le chauffe-eau en position la plus centralisée possible par rapport à la tuyauterie et au système électrique. Placer également le chauffe-eau et la tuyauterie d'eau domestique à un endroit non exposé au gel. Toute la tuyauterie doit être isolée. De plus, placer le chauffe-eau de manière à ce que la vidange, les commandes et les entrées/sorties soient facilement accessibles.

REMARQUE : Pour réduire les coûts de chauffage et améliorer l'efficacité énergétique, maintenir une distance minimale entre le chauffe-eau et les appareillages afin de réduire les pertes de chaleur dues à la tuyauterie excédentaire et de minimiser les pertes de charge. S'assurer que l'ensemble de la tuyauterie du chauffe-eau est correctement isolé pour minimiser les pertes de chaleur.

REMARQUE : Si vous ne disposez pas des dégagements de service minimum recommandés, il ne sera peut-être pas possible de réparer le chauffe-eau sans l'extraire de son emplacement.

REMARQUE : En Californie, le chauffe-eau doit être calé, ancré ou attaché pour éviter tout mouvement en cas de tremblement de terre. Contacter les services publics locaux pour connaître les exigences des codes dans votre région. Rendez-vous sur le <http://www.dsa.dgs.ca.gov> ou appelez 1-916-445-8100 et demandez des instructions.

3. Vérifier la zone autour du chauffe-eau. Enlever tout matériau combustible, essence et autres liquides inflammables.

⚠ DANGER

Ce chauffe-eau ne doit pas être situé à proximité de liquides inflammables tels que l'essence, le butane, le propane liquide, les adhésifs, les solvants et les diluants de peinture etc., et les commandes de ce chauffe-eau pourraient enflammer ces vapeurs et entraîner une explosion susceptible de provoquer des dégâts matériels, des dommages corporels sévères ou la mort.

⚠ AVERTISSEMENT

Ce chauffe-eau doit être installé debout en position verticale comme décrit dans ce manuel. NE PAS essayer d'installer ce chauffe-eau dans un autre sens. En cas d'installation dans un autre sens, cela entraînera un mauvais fonctionnement du chauffe-eau et des dégâts matériels, voire même des blessures graves ou la mort.

4. Si le chauffe-eau doit remplacer un chauffe-eau existant, vérifier et corriger tout problème existant sur le circuit, tel que :

- Fuites du circuit
- Emplacement qui pourrait entraîner un gel et des fuites du circuit et du chauffe-eau
- Vase d'expansion de taille incorrecte

5. Ce chauffe-eau doit être installé à la verticale sur une surface plane.

C. Exigences relatives aux propriétés chimiques de l'eau

PRUDENCE

Un déséquilibre chimique de l'alimentation en eau peut affecter l'efficacité et causer de graves dommages à l'appareil et à l'équipement associé. La qualité de l'eau doit être analysée de manière professionnelle pour déterminer s'il est nécessaire de traiter l'eau. Différentes solutions sont disponibles pour ajuster la qualité de l'eau. Une qualité d'eau défavorable affectera la fiabilité du système. De plus, des températures de fonctionnement supérieures à 135°F vont accélérer l'accumulation de calcaire et réduire éventuellement la durée de vie de l'appareil. Toute panne d'un appareil due à l'accumulation de calcaire, à un pH faible ou à un autre déséquilibre chimique N'EST PAS couverte par la garantie.

L'eau doit être potable, exempte de produits chimiques corrosifs, de sable, de saleté et d'autres contaminants. Il incombe à l'installateur de s'assurer que l'eau ne contient aucun produit chimique corrosif ou d'élément susceptible d'endommager l'échangeur thermique. L'eau potable est définie comme étant de l'eau qu'il est possible de boire, fournie par les services publics ou l'eau provenant de puits conformément aux niveaux maximum de contamination secondaires EPA (40 CFR Partie 143.3). Si l'eau contient des contaminants à un niveau supérieur à celui décrit par l'EPA, un traitement de l'eau est recommandé et une maintenance plus fréquente peut être requise.

Si vous pensez que votre eau est contaminée d'une quelconque manière, arrêtez d'utiliser l'appareil et contactez un technicien autorisé ou un professionnel agréé.

Niveau pH de l'eau compris entre 6.5 et 8.5

- Des niveaux de pH inférieurs à 6.5 peuvent provoquer une augmentation du taux de corrosion. Des niveaux de pH de 8.5 ou plus peuvent potentiellement provoquer une accumulation de calcaire.
- Maintenir le pH de l'eau entre 6.5 et 8.5. Vérifier à l'aide de papier de tournesol ou demander à une entreprise pour de traitement des eaux de réaliser une analyse chimique.
- Si le pH n'est pas compris entre 6.5 et 8.5, consulter une entreprise locale de traitement des eaux pour trouver obtenir des solutions.

Dureté comprise entre 4 grains (70 mg/L) and 20 grains (350mg/L)

- L'appareil ne doit pas fonctionner avec une eau d'une dureté inférieure à 4 grains (70 mg/L); en revanche, avec une eau particulièrement dure (plus de 20 grains (350mg/L)), il est conseillé d'utiliser un adoucisseur, étalonné et contrôlé comme il se doit; dans ce cas, la dureté résiduelle ne doit pas baisser en dessous de 9 grains (150mg/L).

Concentration en chlorure inférieure à 100 ppm (mg/l)

- Ne pas remplir l'appareil ou utiliser de l'eau contenant un niveau de chlorures supérieur à 100 ppm (mg/l).
- L'utilisation d'eau douce chlorée doit être admissible à des niveaux généralement inférieurs à 5 ppm (mg/l).
- Ne pas brancher l'appareil pour chauffer directement l'eau de la piscine ou du spa.

Matières dissoutes totales (TDS) inférieures à 500 ppm (mg/l)

- Les matières dissoutes sont des minéraux, des sels, des métaux et des particules chargées dissoutes dans l'eau.
- Plus la quantité de TDS présentes est élevée, plus la corrosion potentielle due à une conductivité accrue dans l'eau est élevée.
- En cas d'utilisation d'eau adoucie pour le remplissage de l'appareil, il est toujours possible d'avoir une quantité TDS élevée. Cette eau peut être corrosive. Consulter les entreprises locales de traitement des eaux pour obtenir d'autres solutions de traitement afin de réduire cet effet.

Conductivité de l'eau non supérieure à 1200 $\mu\text{S/cm}$

***REMARQUE :** Pour prolonger la vie de l'appareil, il est fortement recommandé de suivre les procédures de maintenance décrites dans ce manuel.

PRUDENCE

Toute panne des composants électriques due à l'accumulation de calcaire sur la surface chauffante, à un pH faible ou à un autre déséquilibre N'EST PAS couverte par la garantie.

REMARQUES :

1. La taille minimale de tuyau doit correspondre à la taille du raccordement. Augmenter la taille du tuyau en conséquence si un débit plus important est requis.

2. Un vase d'expansion thermique adapté à l'eau potable doit être dimensionné et installé à l'intérieur de ce système de tuyauterie entre le clapet anti-retour et l'entrée d'eau froide.

3. Tous les circulateurs doivent être dotés d'un contrôle de débit intégral.

4. Les vidanges et la vanne anti-retour entre l'unité et le ballon de stockage aideront à la purge de l'air hors du système.

5. Ces dessins sont uniquement destinés à montrer la tuyauterie du système. L'installateur est responsable de tout l'équipement et des détails requis par les codes locaux. Au Massachusetts, vous devez installer une soupape de surpression conformément à 248 CMR.

6. L'application de la vanne mélangeuse est facultative, mais recommandée pour prévenir les brûlures. Voir la Partie 3 pour en savoir plus.

7. Il est fortement recommandé par le fabricant d'installer des dispositifs de détection de fuite d'eau et des vannes d'arrêt automatique dans toute installation de chauffe-eau dans laquelle une fuite d'eau peut entraîner des dégâts matériels.

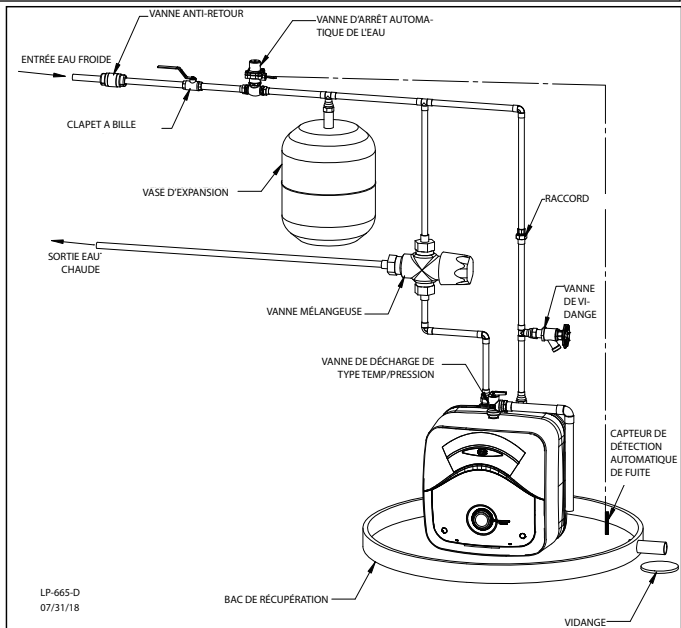


Figure 20 - Détail Installation

D. Spécifications techniques et dimensions

Caractéristiques techniques	Unités	2,5	4	8
Capacité du ballon	Gallons	2,7	4,0	8,0
Dimensions	Pouces	14 ^{1/4} "L x 14 ^{1/4} "H x 10 ^{3/4} "P	14 ^{1/4} "L x 14 ^{1/4} "H x 12 ^{3/4} "P	17 ^{1/2} "L x 17 ^{1/2} "H x 15 ^{1/4} "P
Poids (vide)	lbs	15,5	17,6	29,5
Pression d'eau maximale	psi	150		
Taux de récupération (90°F montée)	gal/h	6.8		9
Plage de température	°Fahrenheit	65 - 161		65 - 161
Raccordements eau	NPT	1/2" NPT		3/4" NPT (adaptateurs de raccords filetés inclus)*
Vanne de décharge		Installée	Installée	Incluse, non installée
Tension nominale (monophasée)	VAC	110 / 120 (tous les modèles)		
Courant nominal	Ampères	12,0		16,7
Puissance à 120 VAC	Watts	1440		2000
Raccordement électrique		Enfichable		Câblé

Table 12 - Spécifications techniques - * Adaptateurs de raccords filetés inclus dans la boîte

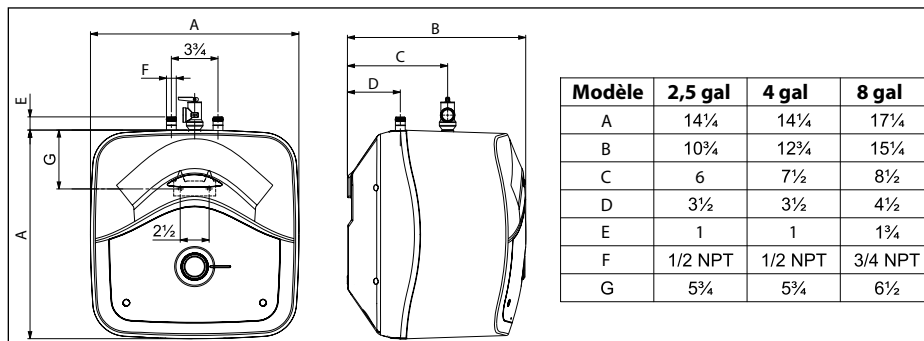


Figure 21 - Schéma dimensionnel

Partie 3 - Instructions d'installation

Ces chauffe-eau sont conçus pour être installés sous l'évier.

A. Montage du chauffe-eau

1. Montage mural

- Fixer le support de montage fourni au mur.

AVIS

Utiliser des vis adaptées au matériau du mur et au poids du chauffe-eau. Tout non-respect de cette consigne peut entraîner des dégâts matériels et des dommages sur le chauffe-eau. Ces dommages NE SONT PAS couverts par la garantie du produit.

- Accrocher le chauffe-eau sur le support.
- Tirer sur le chauffe-eau vers le bas pour garantir que les deux « languettes » du support sont correctement en place dans les fentes de montage.

2. Montage au sol

Le chauffe-eau peut être installé sur le sol. Installer les pieds de montage du plancher en caoutchouc adhésif inclus sur le fond du chauffe-eau. Suivre les instructions d'installation des pieds en caoutchouc incluses dans le pack.

B. Plomberie

Il est obligatoire que toute la plomberie soit effectuée conformément aux codes et aux pratiques de la plomberie au niveau fédéral, local et étatique. Une installation incorrecte du chauffe-eau ANNULERA la garantie. Il est également nécessaire d'utiliser à la fois du ruban de filetage et de la pâte d'étanchéité sur tous les raccordements de tuyauterie mécaniques.

Mettre en place des raccords sur les branchements d'eau chaude et froide afin de pouvoir débrancher le chauffe-eau pour l'entretien.

- Brancher le tuyau d'arrivée d'eau froide sur la prise d'entrée (marquée d'un anneau bleu).
- S'assurer que la vanne d'isolation est installée sur l'alimentation en eau froide du chauffe-eau.
- Brancher le tuyau de sortie d'eau chaude sur la prise de sortie (marquée d'un anneau rouge).

PRUDENCE

Ne pas faire chauffer les raccordements d'eau chaude ou froide du chauffe-eau. En cas d'utilisation de raccordements à souder, souder le tuyau sur l'adaptateur avant de raccorder l'adaptateur aux raccordements d'eau sur le chauffe-eau. Toute chaleur appliquée aux raccordements du chauffe-eau endommagera irrémédiablement le tube plongeur et/ou les pièces à chaleur. Les dommages dus à des pratiques d'installation incorrectes NE SONT PAS couverts par la garantie.

Toute panne des composants électriques due à l'accumulation de calcaire sur la surface chauffante, à un pH faible ou à un autre déséquilibre N'EST PAS couverte par la garantie.

C. Expansion thermique

Une vanne anti-retour peut être installée sur la ligne d'arrivée d'eau froide sous forme de dispositif de prévention anti-retour séparé ou peut faire partie d'une vanne de réduction de pression, d'un compteur d'eau ou d'un adoucisseur d'eau. Un « **circuit d'eau ouvert** » désigne un circuit sans vanne anti-retour. Un « **circuit d'eau fermé** » désigne un système équipé d'une vanne anti-retour installée au niveau de la ligne d'arrivée d'eau froide. Lorsque l'eau est chauffée, son volume augmente et la pression monte au sein du circuit d'eau. Ce phénomène est appelé « **expansion thermique** ». Dans un circuit d'eau ouvert, l'expansion de l'eau qui dépasse la capacité du circuit retourne dans le réseau de ville dans lequel la pression se dissipe facilement.

Un circuit d'eau fermé prévient tout retour de l'eau en expansion dans le réseau de ville. L'expansion thermique qui en résulte peut rapidement augmenter la pression dans le chauffe-eau et la tuyauterie du circuit. Cette augmentation rapide de la pression peut dépasser le réglage de la vanne de décharge de pression, ce qui entraîne sa mise en route pendant chaque cycle de chauffage, et une décharge en raison de la T&P. Cette expansion et contraction rapides et répétées des composants du circuit peuvent provoquer une défaillance prématurée des composants du circuit, y compris la soupape de décharge et éventuellement le chauffe-eau. Un remplacement de la vanne de décharge **corrige pas** le phénomène d'expansion thermique.

Il existe deux recommandations pour prévenir la survenue de ce phénomène :

1. Installer un vase d'expansion à eau chaude potable de type à membrane pour compenser la dilatation thermique. Les vases d'expansion sont conçus avec un coussin d'air intégré qui se comprime lorsque la pression du circuit augmente, et soulage ainsi la situation de surpression et supprime le fonctionnement répété de la vanne de décharge. Ce vase d'expansion doit être installé dans la ligne d'eau froide entre le chauffe-eau et la vanne anti-retour, et doit être dimensionné pour le volume d'eau total du circuit d'eau chaude. Le vase d'expansion doit avoir une capacité minimale de 1,5 gallon pour 50 gallons d'eau stockée.

2. Installer une vanne de décharge de pression 125 PSI dans la ligne d'alimentation en eau froide. S'assurer que la décharge de cette vanne est dirigée vers une vidange ouverte et protégée du gel. Contacter le fournisseur d'eau local ou la personne en charge de l'inspection de la plomberie pour savoir comment contrôler cette situation. Ne pas brancher la vanne de décharge de type pression-température.

D'autres méthodes de contrôle de l'expansion thermique sont disponibles. **Vérifier auprès du service d'eau local s'il existe une vanne anti-retour dans la ligne d'arrivée d'eau froide.** Contacter votre installateur, votre fournisseur d'eau ou la personne en charge de l'inspection de la plomberie pour obtenir des informations supplémentaires sur l'expansion thermique.

D. Condensation

La condensation peut se former sur le chauffe-eau lors de son premier remplissage en eau, et peut également se produire en cas de prélèvement d'eau important et de température d'arrivée d'eau très froide. Cette situation n'est pas inhabituelle et disparaît à mesure que l'eau chauffe. Cependant, si le phénomène de condensation persiste, examiner la tuyauterie et les raccords pour rechercher d'éventuelles fuites.

REMARQUE : Une isolation à la fois des tuyaux d'arrivée d'eau froide et des tuyaux de sortie d'eau chaude réduit la possibilité de condensation sur la tuyauterie du chauffe-eau.

E. Vanne de décharge de type pression-température

Pour assurer une protection contre les pressions et les températures excessives dans ce chauffe-eau installer la vanne de décharge de type pression-température fournie, certifiée par un laboratoire d'essais reconnu à l'échelle nationale, qui vérifie régulièrement les équipements ou les matériaux énumérés dans la liste de production, comme étant conformes aux exigences des *Soupapes de décharge et Des mécanismes de coupure automatique de l'alimentation en gaz pour systèmes à eau chaude, ANSI Z21.22B / CSA 4.4-M99*. La vanne de décharge de type pression-température fournie est marquée avec une pression définie maximale (150 psi) qui ne dépasse pas la pression de service maximale indiquée sur le chauffe-eau (150 psi). Installer la vanne T&P dans l'ouverture prévue à cet effet sur le chauffe-eau, et l'orienter ou poser un tuyau de manière à ce que toute décharge de la vanne s'échappe au minimum à 6 pouces du sol. La ligne de décharge ne peut pas être en contact avec des pièces électriques sous tension. L'ouverture de décharge ne doit en aucun cas être obstruée ou réduite.

Les codes de plomberie nationaux exigent un bac de récupération pour toute installation de chauffe-eau. L'absence d'installation d'un bac de récupération relève de l'unique responsabilité du propriétaire et/ou de l'installateur. Référence UPC 2000 (Code de Plomberie Uniforme) Section 510 - Protection contre les dommages ou IPC 200 (Code international de la plomberie) Section 504 - Dispositif de sécurité.

⚠ AVERTISSEMENT

Ne visser en aucun cas un capuchon ou un bouchon dans la vanne de décharge ou dans la ligne de la vanne de décharge ! Il peut en résulter une explosion, des dommages matériels, des blessures graves ou la mort.

Pour éviter tout dégât des eaux ou toute échaudure lié au fonctionnement de la vanne de décharge :

- La ligne de décharge doit être raccordée à la sortie de la vanne de décharge et dirigée vers un lieu d'élimination sûr. Terminer la ligne de décharge de manière à prévenir toute possibilité de brûlures ou de dégâts matériels graves en cas de décharge de la soupape de décharge.
- La ligne de décharge doit être aussi courte que possible et de la même taille que le raccordement de décharge de la vanne sur toute sa longueur.
- La ligne de décharge doit être orientée vers le bas à partir de la vanne et se terminer à au moins 6 pouces au-dessus de la vidange, afin de disposer d'une vision claire de la décharge.
- La ligne de décharge doit se terminer par une extrémité lisse, non filetée, avec un matériau pouvant être utilisé à des températures inférieures ou égales à 375°F.
- Ne pas installer la tuyauterie de décharge à un endroit où elle pourrait geler.
- Aucune vanne ne doit être installée entre la vanne de décharge et le chauffe-eau ou dans la ligne de décharge. Ne pas brancher ou placer un dispositif d'obstruction dans la ligne de décharge.
- Tester le fonctionnement de la vanne de décharge après remplissage et mise sous pression du circuit en levant le levier. S'assurer que la vanne se décharge librement. Si la vanne ne fonctionne pas correctement, la remplacer immédiatement par une nouvelle de décharge correctement dimensionnée.
- Tester la vanne T&P au moins une fois par an pour s'assurer que l'écoulement d'eau est correct. Si la vanne ne fonctionne pas, éteindre le chauffe-eau et appeler immédiatement un plombier.
- Faire preuve de prudence lors du fonctionnement de la vanne de décharge afin d'éviter toute blessure par échaudure ou dommages matériels.

TOUT NON-RESPECT DES DIRECTIVES CI-DESSUS POURRAIT ENTRAÎNER UN DÉFAUT DE FONCTIONNEMENT DE LA VANNE DE DÉCHARGE, ET LA POSSIBILITÉ DE DOMMAGES MATÉRIELS CONSIDÉRABLES, DE BLESSURES GRAVES OU DE MORT.

NOUVELLE INSPECTION DES VANNES DE DÉCHARGE T&P : Les vannes T&P doivent être inspectées AU MOINS UNE FOIS TOUTS LES TROIS ANS et remplacées si nécessaire, par une entreprise de plomberie ou un technicien de service qualifié afin de garantir que le produit n'a pas été affecté par les conditions corrosives de l'eau et de s'assurer que la vanne et la ligne de décharge n'ont pas été modifiées ou falsifiées de manière illégale. Certaines conditions naturelles peuvent entraîner une corrosion de la vanne et de ses composants avec le temps, ce qui empêche le fonctionnement de la vanne. De telles conditions peuvent être détectées uniquement si la vanne et ses composants sont physiquement retirés et inspectés. **Ne pas essayer d'effectuer une inspection par vous-même.** Contacter votre entreprise de plomberie pour une réinspection afin d'assurer une sécurité continue.

L'ABSENCE D'UNE RÉ-INSPECTION DE LA VANNE T&P COMME INDIQUÉ POURRAIT SE TRADUIRE PAR UNE ACCUMULATION DANGEREUSE DE TEMPÉRATURE ET/OU DE PRESSION, QUI POURRAIT PROVOQUER DES DOMMAGES MATÉRIELS, DES BLESSURES GRAVES OU LA MORT.

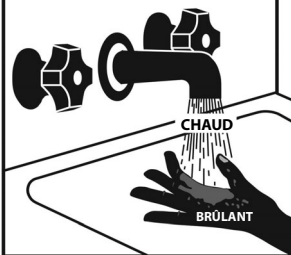
F. Échaudures

Ce chauffe-eau peut fournir de l'eau bouillante. Faites preuve de prudence lorsque vous utilisez de l'eau chaude pour éviter toute échaudure. Certains appareils tels que les lave-vaisselle et les lave-linge automatiques peuvent nécessiter une augmentation des températures d'eau. En réglant le thermostat de ce chauffe-eau pour atteindre l'augmentation de la température d'eau requise par ces appareils, vous augmentez le risque d'une blessure par échaudure.

Pour assurer une protection contre les blessures, installer une vanne mélangeuse dans le circuit d'eau. Cette vanne va réduire les températures de décharge au point d'utilisation en mélangeant de l'eau froide et de l'eau chaude dans les lignes d'alimentation secondaires. Ces vannes sont disponibles auprès de votre fournisseur de plomberie local.

Le tableau 3 décrit en détail la relation entre la température de l'eau et la durée en ce qui concerne les brûlures par échaudure et peut être utilisé comme référence pour déterminer la température de l'eau la plus sûre pour vos applications.

⚠ **DANGER**



Une température de l'eau supérieure à 125°F peut provoquer instantanément des brûlures graves ou la mort par échaudure. Les enfants, les personnes handicapées et les personnes âgées sont les plus exposés au risque d'échaudure. Voir le manuel d'instructions avant de régler la température sur le chauffe-eau. Tester l'eau avec la main avant de prendre un bain ou une douche. Des vannes de limitation de la température sont disponibles, voir le manuel.

⚠ AVERTISSEMENT

Une vanne mélangeuse ou une vanne de limitation de température ASSE 1017 ou ASSE 1070 est recommandée dans les installations desservant des personnes handicapées, des personnes âgées ou des enfants. Les vannes mélangeuses n'éliminent pas le risque d'échaudure.

Pour éviter toute échaudure :

- Définir la température de consigne du chauffe-eau aussi faible que possible.
- Tester l'eau avec la main avant de prendre un bain ou une douche.
- Si des vannes thermostatiques sont nécessaires, utiliser des dispositifs spécifiquement conçus à cet effet. Installer ces appareils conformément aux instructions fournies par le fabricant.

En cas d'absence d'installation de vanne mélangeuse ou vanne de limitation de température et en cas de non-respect de ces instructions, il peut en résulter des dommages matériels, des blessures graves ou la mort par échaudure.

G. Remplissage du chauffe-eau

- S'assurer que toutes les vannes de vidange du circuit sont complètement fermées.
- Ouvrir la vanne d'arrêt dans la ligne d'alimentation en eau froide.
- Ouvrir les robinets d'eau chaude pour permettre à l'air de s'échapper du chauffe-eau et de la tuyauterie.
- Prévoir suffisamment de temps pour le remplissage complet du chauffe-eau.
- Vérifier la présence éventuelle de fuites.

PRUDENCE

Lors du remplissage du chauffe-eau, ouvrir un robinet d'eau chaude pour libérer de l'air dans le ballon et la tuyauterie. Le ballon doit être rempli d'eau avant d'allumer le chauffe-eau. En cas d'absence de vérification du remplissage complet du chauffe-eau avant sa mise en marche, il peut en résulter des dommages au chauffe-eau et d'autres dommages matériels. Ces dommages NE SONT PAS couverts par la garantie du chauffe-eau.

Partie 4 - Raccordement électrique

PRUDENCE

Le ballon doit être rempli d'eau avant la mise en marche. La résistance chauffante sera endommagée si elle est sous tension pendant une courte période et que le ballon est vide. Les défaillances dues à des « mises en route à sec » NE SONT PAS couvertes par la garantie.

La tension requise et la puissance en watts dédiée pour le chauffe-eau sont spécifiées sur l'étiquette signalétique du chauffe-eau. Consulter votre compagnie d'électricité locale pour déterminer si votre réseau électrique est adapté à la charge supplémentaire du chauffe-eau.

Le modèle 8 doit être câblé. Le modèle 8 doit être câblé avec un câble 12 GA à un circuit secondaire de 20 Ampères. L'ensemble du câblage doit être conforme au code local et au Code national de l'électricité, et doit être effectué par un électricien qualifié agréé ou par le fournisseur d'électricité local. Voir la figure 4, A et B.

- Dévisser le couvercle de la boîte de jonction et le retirer.
- Insérer le fil 12 AWG à travers le conduit dans la boîte de jonction et le fixer avec un serre-câble (non fourni).
- Raccorder les fils et visser le couvercle de la boîte de jonction.
- Effectuer les raccordements de câblage appropriés sur le chauffe-eau conformément au Code national de l'électricité.
- L'unité doit être mise à la terre avec le câble de mise à la terre fourni à l'intérieur de la boîte de jonction.
- Fixer le couvercle de la boîte de jonction une fois que les raccordements câblés sont terminés.

Lorsque le modèle 8 n'est pas à portée de vue des disjoncteurs électriques, il convient de prévoir un verrouillage du disjoncteur ou des moyens de déconnexion locaux supplémentaires pour tous les conducteurs non mis à la terre, qui soit à portée de vue de l'appareil (réf. NEC 422.31).

⚠ AVERTISSEMENT

S'assurer de mettre le chauffe-eau à la terre. Tout non-respect de cette consigne peut entraîner des dégâts matériels, des blessures graves voire la mort.

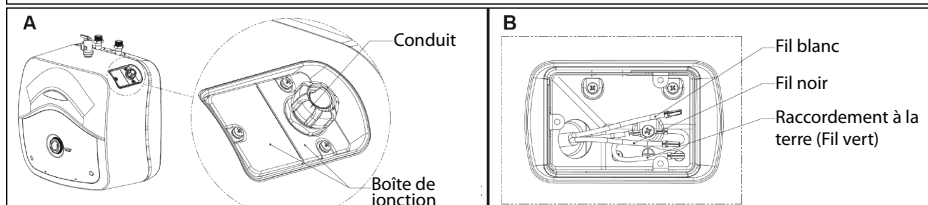


Figure 22 - Câblage du modèle 8

Partie 5 - Liste de vérification d'installation

Emplacement du chauffe-eau	Oui	Non
À proximité de la zone de demande en eau chaude		
À l'intérieur et à l'abri du gel		
Zone exempte de vapeurs inflammables		
Dispositions prises pour protéger la zone contre les dégâts des eaux		
Espace suffisant pour la maintenance du chauffe-eau		
Vanne de décharge	Oui	Non
Vanne de décharge de pression de type pression et température correctement installée et ligne de décharge posée en direction de la vidange ouverte		
Ligne de décharge protégée du gel		
Câblage	Oui	Non
La tension d'alimentation correspond à la plaque signalétique du chauffe-eau		
Fil du circuit secondaire et fusible ou disjoncteur de taille appropriée		
Raccordements électriques serrés et unité correctement mise à la terre		
Alimentation en eau	Oui	Non
Chauffe-eau complètement rempli d'eau AVANT de faire fonctionner l'unité		
Air purgé du chauffe-eau et de la tuyauterie		
Raccordements d'eau serrés et exempts de fuites		

Table 13 - Liste de vérification d'installation

Partie 6 - Fonctionnement

PRUDENCE

Le ballon doit être rempli d'eau avant la mise en marche. La résistance chauffante sera endommagée si elle est sous tension pendant une courte période et que le ballon est vide. Les défaillances dues à des « mises en route à sec » NE SONT PAS couvertes par la garantie.

A. Démarrage et test

Pour les modèles non équipés d'un interrupteur :

- Mettre le chauffe-eau sous tension en branchant le cordon d'alimentation (modèles 2.5 et 4) ou en allumant le disjoncteur (modèle 8).
- Si le voyant ne s'allume pas, tourner la molette de commande dans le sens des aiguilles d'une montre.
- Le voyant s'allume jusqu'à ce que la température de l'eau ait atteint le réglage de température du thermostat. Le voyant s'allume à nouveau à chaque fois que la température de l'eau à l'intérieur du ballon chute en-dessous du réglage du thermostat.

B. Réglage du thermostat

La température de l'eau chaude est réglée en tournant la molette (M, voir Figure 5) située sur le capot avant.

- Tourner la molette dans le sens des aiguilles d'une montre pour augmenter la température.
- Tourner la molette dans le sens inverse des aiguilles d'une montre pour diminuer la température.

Partie 7 - Maintenance



AVERTISSEMENT

Ne pas essayer de réparer ce chauffe-eau par vous-même. Appeler un technicien de service qualifié pour obtenir de l'aide. Toujours mettre le chauffe-eau hors tension avant de le réparer ou de le vider. Tout non-respect de cette consigne peut entraîner des dégâts matériels, des blessures graves voire la mort.

AVIS

Pour la plupart de ces opérations de maintenance, l'eau devra être évacuée du chauffe-eau. Pour toutes ces opérations, le cordon d'alimentation doit être débranché (modèles 2.5 ou 4) ou l'alimentation doit être coupée au niveau du disjoncteur (modèle 8) et le capot avant doit être retiré.

A. Retrait du capot

- Soulever la plaque de recouvrement de la molette ronde (Figure 5, M) à l'aide d'un petit tournevis à tête plate.
- Soulever les cache-vis (Figure 5, V) à l'aide d'un petit tournevis à tête plate.
- Retirer les vis cruciformes.
- Il est maintenant possible de retirer le couvercle (Figure 5, C) en le tirant sur le bord gauche.

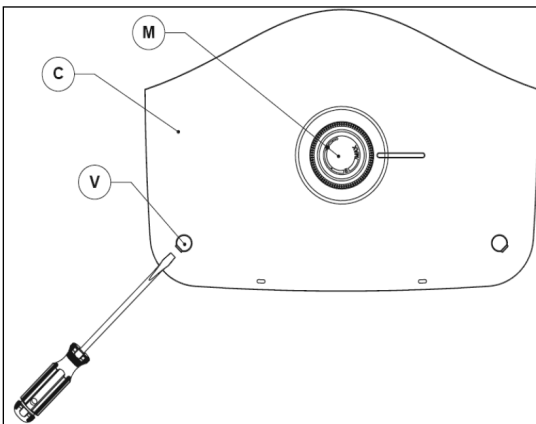


Figure 23 - Détail du thermostat et du capot du chauffe-eau

B. Vidange du chauffe-eau

Si le chauffe-eau a été installé avec des tuyaux flexibles :

- Couper l'alimentation électrique.
- Retourner le chauffe-eau au-dessus d'un évier pour en évacuer l'eau.

Le chauffe-eau peut également être vidé en :

- Siphonnant via le tuyau côté entrée.
- Garder un robinet d'eau chaude ouvert pendant le siphonnage.

Si le chauffe-eau a été installé avec des tuyaux rigides :

- Siphonner l'eau via une vanne de service inférieure côté entrée.
- Garder un robinet d'eau chaude ouvert pendant l'évacuation de l'eau.

C. Retrait de la résistance chauffante

- Couper l'alimentation électrique et vidanger le chauffe-eau.
- Retirer la plaque du capot avant. Débrancher les bornes X, Y et T. Voir Figure 6.
- Dévisser les quatre (4) écrous de fixation de la résistance chauffante (Figure 6, F).
- Retirer la résistance (Figure 6, G).

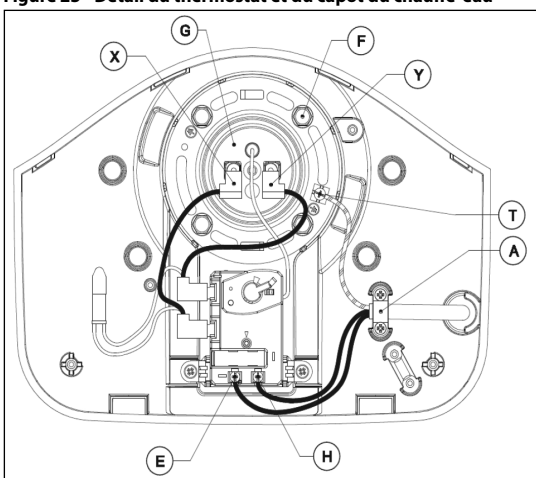


Figure 24 - Détail du capot du chauffe-eau ouvert

D. Inspection de la tige d'anode

La tige d'anode (Figure 7, N) sert à protéger le ballon contre la corrosion. La tige d'anode doit être inspectée une fois par an afin de déterminer si elle doit être remplacée.

Pour accéder à la tige d'anode, il est nécessaire de retirer la résistance chauffante ci-dessus. Lors de l'inspection, la surface de la tige d'anode doit être lisse. Si la surface de la tige semble piquée, bosselée, rouillée ou si la tige est entièrement absente, elle doit être remplacée.

Tailles de la tige d'anode d'origine :

- Modèles 2.5 et 4 : longueur 6 1/2", diamètre 5/8"
- Modèle 8 : longueur 8 1/4", diamètre 5/8"

Certaines installations peuvent nécessiter un remplacement plus fréquent de la tige d'anode :

- Applications de recirculation ;
- Mauvaise qualité de l'eau ;
- Corrosion galvanique / électrolytique ;
- Applications à débit élevé

Une eau « rouillée » indique généralement que la tige d'anode doit être remplacée. En cas de présence d'eau « rouillée », examiner immédiatement la tige d'anode et la remplacer si nécessaire. En cas de mauvaise qualité de

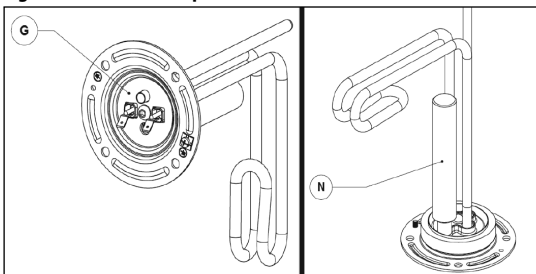


Figure 25 - Détail de la tige d'anode et de la résistance chauffante

l'eau, consulter un professionnel local du traitement des eaux pour connaître les options de traitement de l'eau. Toujours s'assurer que le chauffe-eau est mis à la terre. Les dommages résultant d'une mauvaise qualité de l'eau ou l'absence de remplacement de la tige d'anode ne sont pas couverts par la garantie du fabricant. Pour toute question supplémentaire, veuillez contacter le support technique.

Pour remplacer la tige d'anode :

1. Couper l'alimentation électrique et vidanger le chauffe-eau (voir Vidange du chauffe-eau).
2. Retirer la résistance chauffante (voir section précédente).
3. Dévisser la tige d'anode du raccord fileté.
4. Retirer et remplacer la tige d'anode (Figure 7, N).
5. Remettre en place la résistance chauffante.
6. Remplir le ballon avec de l'eau et purger l'air avant de rétablir l'alimentation électrique.

E. Détartrage de la résistance chauffante

Des dépôts de tartre peuvent affecter la capacité de chauffage de la résistance. Un tartre important peut même endommager la résistance. La résistance peut être détartrée suivant une procédure manuelle ou chimique.

- Tremper la résistance dans du vinaigre blanc ou une autre solution de détartrage de qualité alimentaire approuvée pour une utilisation dans les systèmes d'eau potable.
- Une fois le détartrage effectué, bien rincer avec une solution d'eau douce / de bicarbonate de soude.

La résistance peut également être détartrée manuellement :

- Une fois que la résistance est sèche, utiliser une brosse douce (non métallique pour éviter tout dommage sur la gaine en acier inoxydable) sur la résistance.
- Brosser pour éliminer les minéraux séchés.

Remplacer la tige d'anode si elle présente des signes manifestes de dommages ou si elle est considérablement plus petite que celle décrite dans la section Inspection de la tige d'anode.

Remettre en place la résistance après détartrage. S'assurer que le joint de la résistance est en place et qu'elle est correctement câblée.

PRUDENCE

S'assurer que le ballon a été rempli d'eau avant de rétablir l'alimentation électrique du chauffe-eau. Les défaillances dues à des « mises en route à sec » NE SONT PAS couvertes par la garantie.

Partie 8 - Dépannage

Problème	Solution
L'eau ne chauffe pas	S'assurer que l'alimentation électrique est activée et qu'elle fonctionne
	Si le voyant ne s'allume pas, vérifier que le bouton de réinitialisation de la limite supérieure est actionné. Suivre les étapes de réinitialisation du commutateur, décrites dans ce manuel.
	Si le voyant indicateur fonctionne correctement mais que la température ne devient pas chaude au niveau du robinet, vérifier s'il s'agit d'un chevauchement au niveau de la plomberie. Fermer l'alimentation en eau froide du chauffe-eau et ouvrir le robinet d'eau chaude. Il ne doit pas y avoir d'écoulement d'eau. Un écoulement continu indique la présence d'un chevauchement qui affecte la température et doit être corrigé.
	Appeler un technicien de service qualifié pour tester la résistance de la résistance chauffante (8-10 ohms). La résistance chauffante doit être remplacée si les relevés sont en dehors de ces valeurs.
Voyant éteint	Si le voyant ne s'allume pas, mais que l'eau chauffe, vérifier si l'ampoule est défectueuse.
	Vérifier que le bouton de réinitialisation de la limite supérieure est actionné. Suivre les étapes décrites dans ce manuel.
Eau brune	Une eau brune ou « rouillée » indique une tige d'anode épuisée et une possible détérioration du corps du ballon. Vérifier la tige d'anode. Voir les instructions de ce manuel. Inspecter le ballon à la recherche de fuites.
Odeur de l'eau	Une eau malodorante pourrait être due à une réaction inhabituelle entre l'eau du réseau local et la tige d'anode du chauffe-eau. Vérifier la tige d'anode. Voir les instructions de ce manuel. En cas de non-respect de cette consigne, le ballon subira des dégâts et des fuites.
Fuites	Contrôler les raccords d'eau et le raccord T&P sur le dessus du ballon. Retirer le capot avant et inspecter le joint de la résistance chauffante.
	Si le ballon fuit, se référer à la garantie et vérifier si le chauffe-eau est encore sous garantie.

Table 14 - Dépannage

⚠ AVERTISSEMENT

Le risque d'échaudure s'accroît à mesure de l'augmentation de la température de l'eau. Un réglage plus bas est plus économique et réduit le risque d'échaudure. Utiliser une vanne mélangeuse ou une vanne de régulation de température et faire preuve d'une extrême prudence lors de l'utilisation d'eau chaude pour éviter toute échaudure. Consulter les codes pour en respecter la conformité. Le non-respect des instructions mentionnées dans cet avertissement peut entraîner des blessures graves ou la mort dues à des échaudures.

S'assurer de débrancher l'alimentation électrique avant d'effectuer l'entretien. Tout non-respect de cette consigne peut entraîner un choc électrique, des dégâts matériels, des dommages corporels graves voire la mort.

PRUDENCE

S'il est nécessaire de vidanger le chauffe-eau, ouvrir la vanne T&P ou un robinet d'eau chaude pour empêcher l'accumulation de vide dans le ballon et la tuyauterie.

A. Réinitialisation de l'interrupteur de limite supérieure

Parfois le dispositif d'arrêt de limite de température élevée peut déclencher la réinitialisation. Cela se produit lorsque la température de l'eau dépasse 190°F. Le dispositif d'arrêt peut également se déclencher en raison d'une panne de courant ou d'un orage électrique.

Pour accéder au thermostat :

- Débrancher le cordon d'alimentation (ou couper le disjoncteur - modèle 8) et retirer le capot avant.
- Appuyer fermement sur le bouton de réinitialisation avec la pointe d'un stylo à bille ou d'un objet similaire. Voir Figure 8, B.

Un clic indique que la réinitialisation a été déclenchée.

- Brancher à nouveau l'alimentation électrique.
- Vérifier le fonctionnement du thermostat. Voir la section suivante.

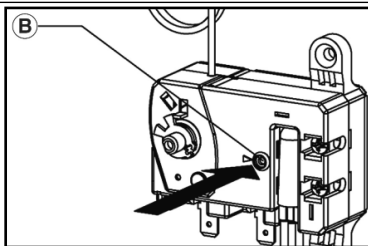


Figure 26 - Détail Réinitialisation commutateur de limite supérieure

PRUDENCE

Appeler un technicien en cas de réinitialisation fréquente de la limite supérieure.

B. Contrôle du fonctionnement du thermostat

Pour vérifier le fonctionnement du thermostat :

- Tourner le cadran de température de haut en bas. Si le voyant rouge ne s'éteint pas sur le réglage bas, couper l'alimentation électrique et appelez un technicien de service qualifié pour remplacer le thermostat.
- Si le voyant rouge s'éteint, cela signifie que le thermostat fonctionne correctement.
- Tourner le cadran sur le réglage souhaité. **REMARQUE** : Un réglage plus bas est plus économique et réduit le risque d'échaudure.
- Remettre en place la plaque du capot.

REMARQUE : Après avoir réglé la température de l'eau sur le thermostat, laisser au chauffe-eau suffisamment de temps pour chauffer l'eau à température. Une fois que le chauffe-eau a cessé de chauffer, utiliser un thermomètre pour mesurer la température de l'eau sur une sortie d'eau chaude du système.

C. Remplacement de la résistance chauffante

- Couper l'alimentation électrique et vidanger le chauffe-eau (voir la procédure décrite dans ce manuel).
- Retirer la résistance chauffante (voir la procédure décrite dans ce manuel).
- Installer une nouvelle résistance avec un joint, et s'assurer que le joint et la résistance sont correctement positionnés. Serrer les écrous de retenue et les raccordements filaires.
- S'assurer que le capteur de température du thermostat est inséré dans l'emplacement situé sur l'assemblage de la résistance et qu'il est fixé avec un passe-fil en caoutchouc noir.
- Remplir le ballon avec de l'eau avant de rétablir l'alimentation électrique.

D. Remplacement du thermostat

- Couper l'alimentation électrique.
- Débrancher les deux (2) connecteurs de fil du thermostat.
- Dévisser les deux (2) vis en laiton sur le côté droit du thermostat et extraire les fils.
- Dévisser et retirer les deux (2) vis cruciformes retenant le thermostat sur le ballon.
- Installer le nouveau thermostat et fixer à nouveau les câbles et les vis.
- S'assurer que le capteur de température du thermostat est inséré dans l'emplacement situé sur l'assemblage de la résistance et qu'il est fixé avec un passe-fil en caoutchouc noir.

Partie 9 - Pièces de rechange

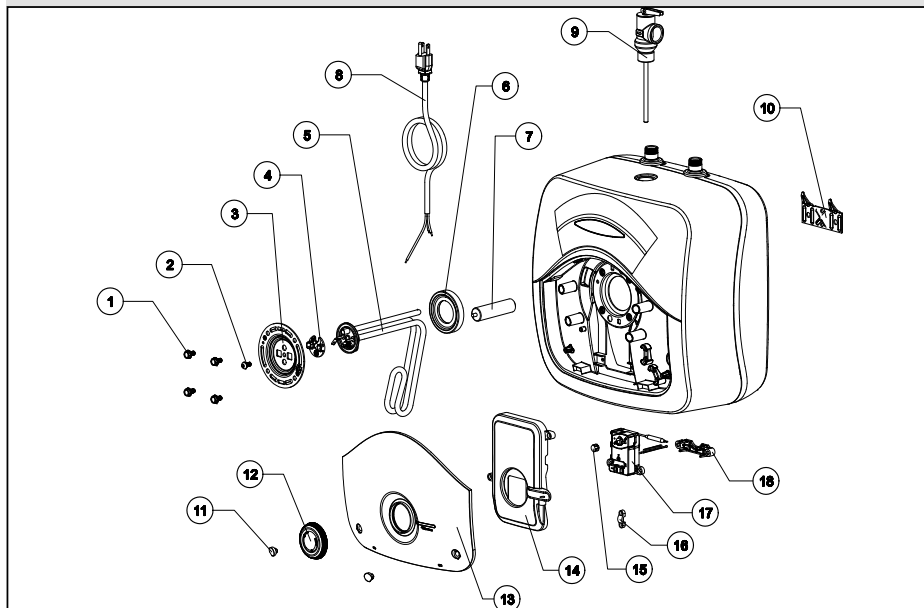


Figure 27 - Pièces de rechange

Élément #	Description	Pièce #			Élément #	Description	Pièce #		
		Modèle					Modèle		
		2.5	4	8			2.5	4	8
1	Vis M6x12 (fixation bride)	65114656	65114656	65114656	10	Support de suspension mural	570341	570341	570341
2	Vis M6x12 (fixation résistance)	993000	993000	993000	11	Cache-vis	65118195	65118195	65118195
3	Bride	65115359	65115359	65115359	12	Molette	65118186	65118186	65118186
4	Protection Faston	65118180	65118180	65118193	13	Capot plastique	65118196	65118196	65118197
5	Résistance chauffante	65118181	65118182	65118194	14	Protection plastique	65118189	65118189	65118190
6	Joint de la résistance chauffante	65116115	65116115	65116115	15	Levier thermostat	570029	570029	570029
7	Anode magnésium	65103768-01	65103768-01	977127-01	16	Attache de câble	65150321	65150321	65150321
8	Câble d'alimentation	65118183	65118183	65118184	17	Thermostat filaire TBSB	65118191	65118192	65118192
9	Vanne T&P 3/4"	65150323	65150323	65150323	18	Support pour thermostat TBSB	65115134	65115134	----

Table 15 - Numéros des pièces de rechange

Garantie limitée du chauffe-eau électrique à mini-ballon

Le fabricant garantit que chaque chauffe-eau électrique à point d'utilisation de petite capacité et ses composants sont exempts de défauts de matériaux et de fabrication conformément aux termes, aux conditions et au délai. SAUF INDICATION CONTRAIRE, CES GARANTIES ENTRENT EN VIGUEUR À LA DATE D'INSTALLATION. Cette garantie limitée est uniquement disponible pour l'acheteur consommateur initial (ci-après dénommé le « Propriétaire ») du chauffe-eau et n'est pas transférable.

PÉRIODES DE GARANTIE

Chauffe-eau électrique à mini-ballon	Pièces	Ballon
	Deux (2) ans	Six (6) ans

COUVERTURE

A. Au cours des deux (2) premières années suivant la date initiale d'installation, le fabricant garantit la réparation ou le remplacement, à sa discrétion, de toute composant défectueux ou défaillant du chauffe-eau. Les composants de remplacement seront garantis quatre-vingt-dix (90) jours.

B. Si un défaut ou un dysfonctionnement entraîne une fuite d'eau du chauffe-eau au cours des six (6) premières années suivant la date d'installation initiale, en raison d'un défaut de matériel ou de fabrication, d'un dysfonctionnement ou d'un non-respect de la garantie ci-dessus, après vérification du défaut ou du dysfonctionnement par un représentant autorisé du fabricant, celui-ci réparera ou remplacera, à sa discrétion, le chauffe-eau défectueux ou défaillant. Les remplacements correspondront au modèle comparable le plus proche disponible au moment du remplacement. Le chauffe-eau de remplacement sera garanti pendant la durée non écoulée de la période de garantie applicable du chauffe-eau d'origine.

C. En cas de fuite d'eau d'un chauffe-eau de remplacement en raison d'un défaut de matériel ou de fabrication, d'un dysfonctionnement ou du non-respect de la garantie ci-dessus, le fabricant se réserve le droit de rembourser au Propriétaire le prix de gros publié à la date de fabrication du chauffe-eau d'origine.

D. Si des réglementations gouvernementales, une certification industrielle ou des normes similaires exigent que le chauffe-eau de remplacement ou son(s) composant(s) possède des caractéristiques absentes sur le chauffe-eau ou le(les) composants défectueux, le Propriétaire devra payer la différence de prix liée aux caractéristiques requises. Si le Propriétaire paie la différence de prix pour ces caractéristiques requises et/ou pour augmenter la taille et/ou d'autres fonctionnalités disponibles sur un nouveau chauffe-eau de remplacement ou son(s) composant(s), le Propriétaire bénéficiera également d'une nouvelle garantie limitée complète pour ce chauffe-eau de remplacement ou son(s) composant(s).

E. Si, au moment d'une demande de service, le Propriétaire ne peut pas fournir une copie de la facture originale ou l'enregistrement de garantie, la période de garantie du chauffe-eau sera alors considérée comme ayant commencé à la date de fabrication du chauffe-eau et NON à la date d'installation du chauffe-eau, et comme étant couverte par la durée non écoulée de la garantie décrite ci-dessus.

F. Cette garantie s'applique uniquement aux chauffe-eau utilisés dans les applications de chauffage d'eau qui ont été correctement installées par des professionnels qualifiés sur la base des instructions d'installation du fabricant.

G. Il est expressément convenu entre le fabricant et le Propriétaire que la réparation, le remplacement ou le remboursement sont les recours exclusifs du Propriétaire.

RESPONSABILITÉS DU PROPRIÉTAIRE

Le Propriétaire ou l'Installateur / Technicien de service qualifié doit :

1. Posséder une vanne de décharge portant les marques de la Société américaine des ingénieurs en mécanique (ASME) installée avec le chauffe-eau conformément aux codes fédéraux, étatiques et locaux.
2. Posséder une vanne de décharge à dépression certifiée ANSI Z21.22 (Soupapes de Sûreté pour les Systèmes d'Alimentation en Eau Chaude), installée avec le chauffe-eau conformément aux codes fédéraux, étatiques et locaux et dans les installations sujettes à des dommages liés au vide.
3. Entretien le chauffe-eau conformément à la procédure de maintenance détaillée dans les instructions fournies par le fabricant. L'entretien préventif peut aider à éviter toute panne inutile du chauffe-eau et à maintenir son efficacité optimale.
4. Maintenir tous les composants du système associés en bon état de fonctionnement.
5. Utiliser le chauffe-eau dans un circuit ouvert ou dans un circuit fermé équipé d'un vase d'expansion thermique correctement dimensionné et installé.
6. Utiliser le chauffe-eau à des pressions d'eau ne dépassant la pression de service indiquée sur la plaque signalétique.
7. Maintenir le chauffe-eau exempt de dépôts de tartre néfastes.
8. Prendre des dispositions appropriées pour qu'en cas de fuite du chauffe-eau ou de l'un de ses composants ou raccords, l'écoulement d'eau n'endommagera pas la zone dans laquelle il est installé.

EXCLUSIONS DE GARANTIE

La présente garantie limitée ne couvre pas :

1. Tout chauffe-eau acheté auprès d'un revendeur non agréé.
2. Tout chauffe-eau non installé par un installateur de chauffage / technicien de service qualifié, ou toute installation non conforme aux normes ANSI, CSA et/ou UL, ainsi qu'à tous les codes nationaux ou locaux applicables en matière de bâtiments.
3. Les déplacements de service destinés à former le Propriétaire aux procédures d'installation, à l'utilisation, à l'entretien ou à la mise en conformité de l'installation du chauffe-eau avec les codes et réglementations locaux en matière de bâtiments.
4. La main d'œuvre des installateurs. Le fabricant décline et n'assume aucune responsabilité d'une quelconque nature liée à une installation, une réparation ou un entretien incorrects.
5. Les coûts d'électricité ou de carburant, ou des économies augmentées ou non réalisées pour quelque raison que ce soit.
6. Tout dégât d'eau provoqué, de manière directe ou indirecte, par un défaut du chauffe-eau ou d'un(des) composant(s) ou de son utilisation.
7. Tout dommage ou toute dépense accessoire, consécutif, spécial ou accidentel résultant, de manière directe ou indirecte, de tout défaut du chauffe-eau ou de l'utilisation du chauffe-eau.
8. L'incapacité à placer le chauffe-eau dans une zone où des fuites du ballon ou des raccords des conduites d'eau et la vanne de décharge n'endommageront pas la zone adjacente au chauffe-eau ou aux étages inférieurs de la structure, ainsi que l'incapacité à installer le chauffe-eau dans ou avec un bac de récupération correctement dimensionné et acheminé vers un emplacement de vidange approuvé.
9. Tout composant défectueux du système non fabriqué par le fabricant et faisant partie du chauffe-eau.
10. Les chauffe-eau réparés ou modifiés sans l'approbation écrite préalable du fabricant.
11. Les dommages, les dysfonctionnements ou les pannes résultant d'une installation incorrecte, d'une incapacité à installer le chauffe-eau conformément aux codes/précriptions du bâtiment applicables ou aux bonnes pratiques commerciales en matière de plomberie et d'électricité ; ou une incapacité à exploiter et à entretenir le chauffe-eau conformément aux instructions fournies par le fabricant.
12. Les dommages, les dysfonctionnements ou les pannes résultant d'une incapacité à exploiter le chauffe-eau à des pressions n'excédant pas la pression de service indiquée sur l'étiquette signalétique.
13. L'incapacité à faire fonctionner le chauffe-eau dans un circuit ouvert ou dans un circuit fermé équipé d'un vase d'expansion thermique correctement dimensionné et installé.

14. Des problèmes de panne ou de performance dus à un dimensionnement incorrect du chauffe-eau, du dispositif d'expansion, de la tuyauterie, de la tension de service électrique, du câblage ou des fusibles.

15. Les dommages, dysfonctionnements ou pannes causés par un manque d'entretien de la tige d'anode.

16. Les dommages, dysfonctionnements ou pannes résultant de conditions de vide.

17. Les dommages, dysfonctionnements ou pannes causés par le fonctionnement du chauffe-eau avec des composants modifiés, falsifiés ou non agréés, ou tout composant/accessoire non fourni par le fabricant.

18. Les dommages, dysfonctionnements ou pannes causés par une utilisation abusive, des accidents, des incendies, des inondations, des phénomènes de gel, de foudre, des réactions électrochimiques, des cas de force majeure etc.

19. Les pannes du ballon (fuites) causées par un fonctionnement du chauffe-eau dans une atmosphère corrosive ou contaminée.

20. Les dommages, dysfonctionnements ou pannes causés par le fonctionnement du chauffe-eau avec un ballon vide ou partiellement vide (« mises en route à sec »), ou des pannes causées par le fonctionnement du chauffe-eau lorsqu'il n'est pas alimenté en eau potable, avec un possibilité de circulation libre en permanence.

21. Panne du chauffe-eau due à l'accumulation de matières solides ou de dépôts de calcaire.

22. Tout dommage ou toute panne résultant de caractéristiques chimiques incorrectes de l'eau, ou de l'utilisation du chauffe-eau à d'autres fins que le chauffage d'eau potable.

23. L'apparition de bruit, d'un goût, d'odeurs, d'une décoloration ou d'une eau « rouillée ».

24. Les chauffe-eau remplacés pour des raisons esthétiques.

25. Des composants du chauffe-eau qui ne sont pas défectueux, mais qui doivent être remplacés pendant la période de garantie en raison d'une usure raisonnable.

26. Des composants du chauffe-eau qui sont soumis aux garanties, le cas échéant, données par leurs fabricants ; le fabricant n'adopte ces garanties.

27. Les dommages, dysfonctionnements ou pannes résultant de l'utilisation d'accessoire(s) non fourni(s) par le fabricant.

28. Des chauffe-eau installés en dehors des cinquante États (et du district de Columbia) des États-Unis d'Amérique et du Canada.

29. Les chauffe-eau déplacés de leur emplacement d'installation d'origine.

30. Les chauffe-eau dont les étiquettes signalétiques ont été retirées.

PROCÉDURES POUR LES DEMANDES D'ENTRETIEN SOUS GARANTIE

Toute demande relative à une assistance sous garantie doit être faite rapidement. Déterminer si le chauffe-eau est « sous garantie » (c'est-à-dire pendant la période de garantie applicable) en examinant une copie de la facture d'origine ou de l'enregistrement de garantie. Le Propriétaire doit présenter une copie de la facture d'origine ou de l'enregistrement de garantie pour toute demande d'entretien sous garantie.

Si le chauffe-eau est « sous garantie », contacter le revendeur auprès duquel le chauffe-eau a été acheté (ou l'installateur) pour obtenir de l'aide. Préparer une copie de la facture d'origine, avec le modèle et le numéro de série complets et la date d'installation du chauffe-eau ainsi que des explications sur le problème du chauffe-eau, à fournir au revendeur ou à l'installateur.

La couverture de la garantie est soumise à la validation de la couverture « sous garantie » par le personnel du service des réclamations du fabricant. Tout composant présumé défectueux ou défaillant doit être retournés au fabricant via les canaux de distribution locaux où l'achat d'origine a été effectué.

REMARQUE : Tout composant ou chauffe-eau retourné au fabricant pour une analyse de la garantie, deviendra la propriété du fabricant et ne sera pas retourné, même si la prise en charge sous garantie est refusée. Si toutes les conditions de garantie sont remplies, le fabricant fournira des composants de remplacement au revendeur.

Pour toute question concernant la couverture de cette garantie, veuillez contacter le fabricant à l'adresse ou au numéro de téléphone suivant : HTP, 272 Duchaine Blvd, New Bedford, MA, 02745, Attention : Warranty Service Department, 1(800) 323-9651.

FRAIS DE SERVICE, DE MAIN D'ŒUVRE ET D'EXPÉDITION

Sauf interdiction explicite de la loi applicable, le Propriétaire, et non le Fabricant, est responsable de et doit payer tous les frais de main-d'œuvre ou d'autres dépenses encourues pour le retrait, la réparation ou le remplacement de l'appareil ou de ses composants déclarés défectueux ou toute dépense encourue pour remédier au défaut du produit. Ces frais incluent, mais sans s'y limiter :

1. Tous les frais de transport, d'expédition, de manutention et de livraison d'un nouvel appareil ou de pièces de rechange au Propriétaire.

2. Tous les coûts nécessaires ou accessoires pour le retrait de l'appareil ou des composants défectueux et pour l'installation du nouvel appareil ou des pièces de rechange.

3. Tous les frais administratifs engagés par le Propriétaire ainsi que le matériel requis pour l'achèvement, et/ou les autorisations requises, liés à l'installation d'un nouvel appareil ou de pièces de rechange, et

4. Tous les frais nécessaires ou accessoires pour le retour du chauffe-eau ou des composants défectueux à un endroit désigné par le fabricant.

LIMITATIONS DE VOTRE GARANTIE ET RECOURS

LES GARANTIES QUI PRÉCÈDENT SONT EXCLUSIVES ET SONT ACCORDÉES ET ACCEPTÉES DANS LES LIMITES PRÉVUES PAR LES LOIS APPLICABLES À LA PLACE DE TOUTE AUTRE GARANTIE, EXPLICITE OU IMPLICITE, Y COMPRIS MAIS SANS S'Y LIMITER LES GARANTIES IMPLICITES DE QUALITÉ MARCHANDE ET D'APTITUDE À UNE FINALITÉ SPÉCIFIQUE ET TOUTE OBLIGATION, RESPONSABILITÉ, DROIT, RÉCLAMATION OU RECOURS DE MANIÈRE CONTRACTUELLE OU DÉLICIEUSE, DÉCOULANT OU NON DE LA NÉGLIGENCE DU FABRICANT, QU'ELLE SOIT RÉELLE OU IMPUTÉE. LES RECOURS DU PROPRIÉTAIRE SONT LIMITÉS À CEUX PRÉVUS DANS LA PRÉSENTE À L'EXCLUSION DE TOUT RECOURS INCLUANT MAIS SANS S'Y LIMITER, LES DOMMAGES ACCESSOIRES OU CONSÉCUTIFS, LESDITS DOMMAGES ACCESSOIRES ET CONSÉCUTIFS, Y COMPRIS MAIS SANS S'Y LIMITER, LES DOMMAGES MATÉRIELS, LA PERTE DE PROFIT OU LES DOMMAGES PRÉSUMÉS DUS À L'INCAPACITÉ DU FABRICANT À RESPECTER TOUTE OBLIGATION EN VERTU DU PRÉSENT CONTRAT, Y COMPRIS L'OBLIGATION MENTIONNÉE CI-DESSUS DE RÉPARATION ET DE REMPLACEMENT. AUCUN ACCORD MODIFIANT OU PROLONGEANT LES PRÉCÉDENTES GARANTIES, LES RECOURS OU CETTE LIMITATION NE SERA OBLIGATOIRE À L'ÉGARD DU FABRICANT. SAUF ACCORD ÉCRIT ET SIGNÉ PAR UN AGENT DUMENT AGRÉÉ DU FABRICANT. LES GARANTIES STIPULÉES DANS LE PRÉSENT DOCUMENT NE SONT PAS TRANSFÉRABLES ET SONT ACCORDÉES UNIQUEMENT AU PROFIT DU PROPRIÉTAIRE.

AUCUNE AUTRE GARANTIE

Cette garantie accorde au Propriétaire des droits juridiques particuliers. Le Propriétaire peut également disposer d'autres droits, variables d'un État à l'autre. Certaines juridictions n'autorisent pas l'exclusion ou la limitation de dommages accessoires ou consécutifs ; par conséquent, cette limitation ou exclusion peut ne pas s'appliquer au Propriétaire.

Ce sont les seules garanties écrites applicables au chauffe-eau fabriqué et vendu par le fabricant. Le fabricant n'assume ni n'autorise quiconque à assumer pour lui toute autre obligation ou responsabilité en rapport avec lesdits chauffe-eau.

Le fabricant se réserve le droit de modifier à tout moment les spécifications ou d'arrêter certains modèles sans préavis.

Formulaire d'enregistrement de l'installation client

Le formulaire suivant doit être rempli par l'installateur/le technicien de service qualifié pour que vous puissiez garder une trace de l'installation en cas de demande de garantie. Après avoir lu les notes importantes au bas de la page, veuillez également signer ce document.

Nom du client	
Date de l'installation	
Adresse de l'installation	
Modèle du produit/ numéro(s) de série	
Observations	
Code / Nom de l'installateur	
Numéro de téléphone de l'installateur	
Signé par l'installateur	
Signé par le client	
Remarques pour l'installation	

IMPORTANT

Client : Veuillez signer uniquement une fois que l'installateur/technicien de service qualifié a entièrement examiné l'installation, la sécurité, le fonctionnement correct et la maintenance du système. Si le système rencontre des problèmes, veuillez contacter l'installateur/le technicien de service qualifié. Si vous ne parvenez pas à le contacter, veuillez appeler votre représentant commercial.

Distributeur/Revendeur : Veuillez insérer les coordonnées de contact.

