

Date: _____

For: File Resubmit
 Approval Other _____

PO No.: _____

Architect: _____ GC: _____

Engr: _____ Mech: _____

Rep: _____
 (Company) (Project Manager)

LA180HSV2
 Art Cool™ Single Zone Inverter
 Outdoor Unit (ODU)-LAU180HSV2 Indoor Unit (IDU)-LAN180HSV2



Performance:

Cooling:

Capacity (Btu/h)	18,200
SEER	20.5
EER	12.6

SEER - Seasonal Energy Efficiency Ratio EER - Energy Efficiency Ratio

Heating:

Capacity (Btu/h)	22,000
HSPF	9.7

HSPF - Heating Seasonal Performance Factor

Cooling Nominal Test Conditions: Indoor: 80°F DB/67°F WB
 Outdoor: 95°F DB/75°F WB
 Heating Nominal Test Conditions: Indoor: 70°F DB/60°F WB
 Outdoor: 47°F DB/43°F WB

Electrical:

Outdoor Unit:

Power Supply (V ¹ /Hz/Ø)	208-230/60/1
MOP (A)	30
MCA (A)	19
Cooling Rated Amps (A)	17.0
Heating Rated Amps (A)	17.0
Compressor (A)	14.6
Fan Motor (A)	0.75

MOP - Maximum Overcurrent Protection MCA - Minimum Circuit Ampacity

Indoor Unit:

Power Supply (V ¹ /Hz/Ø)	208-230/60/1
Cooling Power Input (kW)	1.44
Heating Power Input (kW)	1.76

Piping:

Liquid Line (in, OD)	3/8
Vapor Line (in, OD)	5/8
Additional Refrigerant (oz/ft)	0.38
Max Pipe Length (ft) ²	98
Piping Length (no add'l refrigerant, ft)	25
Max Elevation (ft)	49

Features:

- 4-Way auto swing
- Chaos wind
- Jet cool/Jet heat
- 24-Hour on/off timer
- Condensate Sensor Connection
- Plasma air purifying system
- Auto restart
- Energy saving
- Self-cleaning indoor coil
- Auto changeover
- Inverter (variable speed compressor)
- Sleep mode
- Built-in low ambient standard, down to 14°F (cooling mode)
- Ultra quiet operation

Optional Accessories (sold separately):

- 7-Day Programmable Controller (Black) - PQRCVSL0
- 7-Day Programmable Controller (White) - PQRCVSLOQW
- Dry Contact for third party thermostat - PQDSBNGCM1
- PI485 - PMNFP14A0

For continual product development, LG reserves the right to change specifications without notice.

LG Electronics U.S.A., Inc., Englewood Cliffs, NJ. All rights reserved. "LG Life's Good" is a registered trademark of LG Corp. /www.lghvac.com

Operating Range:

Outdoor Unit:

Cooling (°F DB)	14-118
Heating (°F DB)	5-75

Indoor Unit:

Cooling (°F DB)	64-90
Heating (°F DB)	61-86

Unit Data:

Refrigerant Type	R410A
Refrigerant Control	EEV
Refrigerant Charge (lbs)	3.97
ODU Sound Pressure Max (±3 dB(A)) ³	53
IDU Sound Pressure (H/M/L) (±3 dB(A)) ³	45/40/35
ODU Net Unit Weight (lbs)	133
ODU Shipping Weight (lbs)	142
IDU Net Unit Weight	38
IDU Shipping Weight (lbs)	42
Heat Exchanger Coating	GoldFin™
Communication Cable (No x AWG) ⁴	4 x 18

AWG - American Wire Gage

Fan:

ODU Type	Propeller
IDU Type	Cross Flow
Fan Speeds (Fan/Cooling/Heating)	5/6/6
Quantity (ODU + IDU)	1 + 1
Motor/Drive	Brushless Digitally Controlled/Direct
ODU Max Air Flow Rate (CFM)	2,119
IDU Max Air Flow H/M/L (CFM)	600/510/420
Dehumidification (pts/hr)	5.5

Notes:

1. Acceptable operating voltage: 187V - 253V.
2. Piping lengths are equivalent.
3. Sound Pressure levels are tested in an anechoic chamber under ISO Standard 1996.
4. All communication cable to be minimum 18 AWG, 2-conductor, stranded, shielded and must comply with applicable local and national code.
5. See Engineering Manual for sensible and latent capacities.
6. Power wiring cable size must comply with the applicable local and national code.
7. The indoor unit comes with a dry helium charge.
8. This data is rated 0 ft above sea level, with 24.6 ft of refrigerant line and a 0 ft level difference between outdoor and indoor units.
9. Must follow installation instructions in the applicable LG installation manual.

Standard Features:

- Limited Five Year Compressor Warranty
- Limited Three Year Functional Parts Warranty



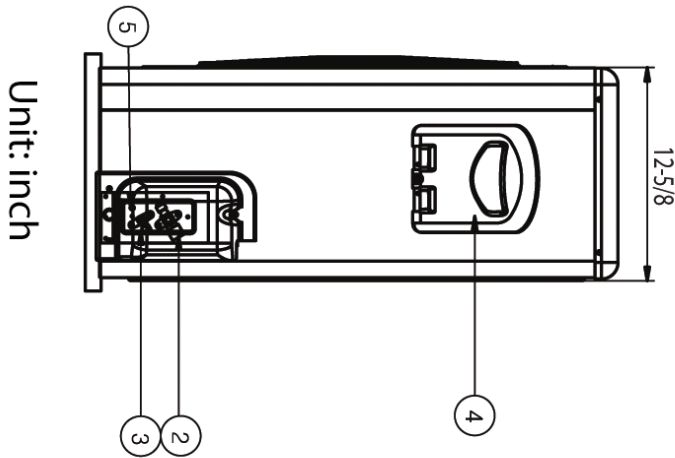
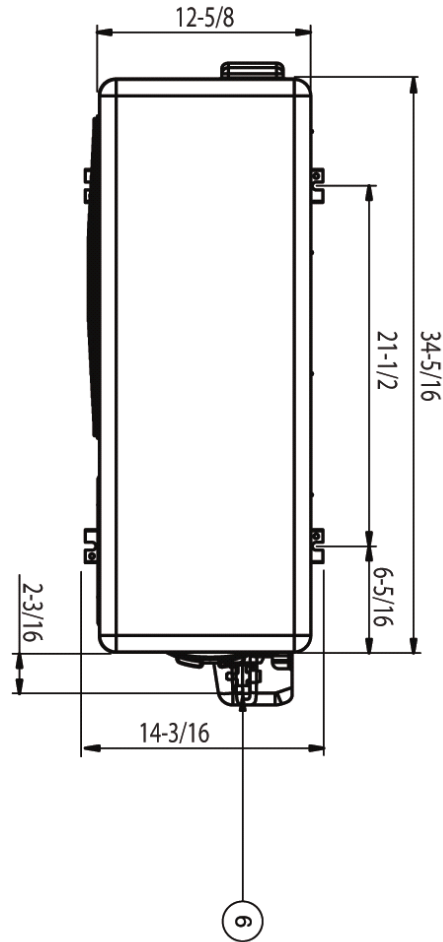
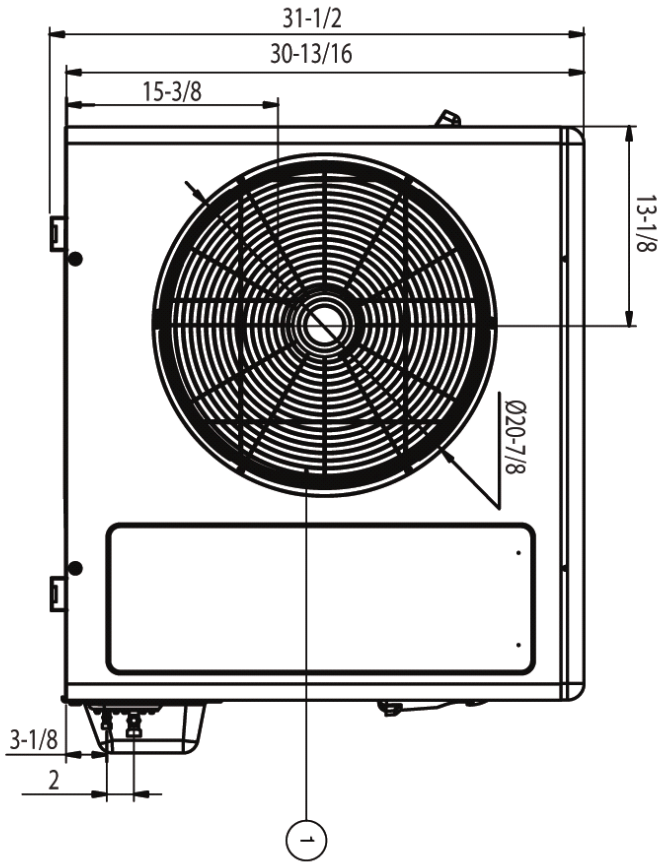
Outdoor Unit (ODU)-LAU180HSV2
 Art Cool™ Single Zone Inverter



Tag #:

Date:

PO No.:



Item No.	Part Name	Remarks
1	Air discharge grille	
2	Gas pipe connection	
3	Liquid pipe connection	
4	Power & Transmission connection	
5	Earth screw	
6	SVC valve cover	

Indoor Unit (IDU)-LAN180HSV2

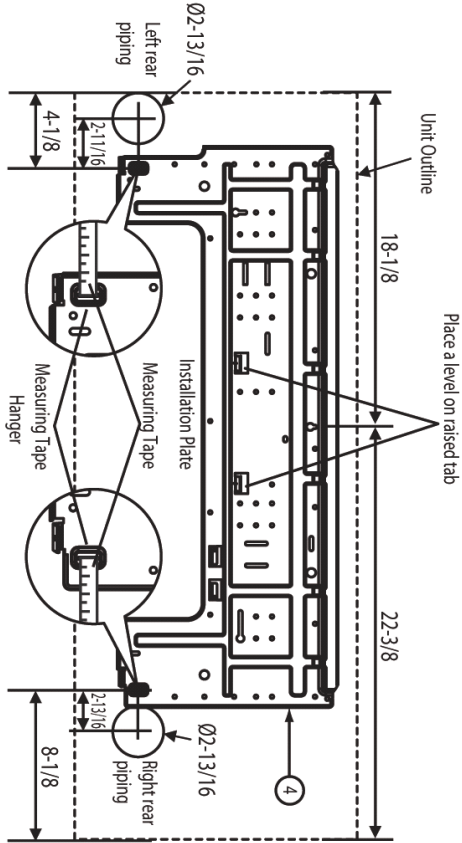
Art Cool™ Single Zone Inverter



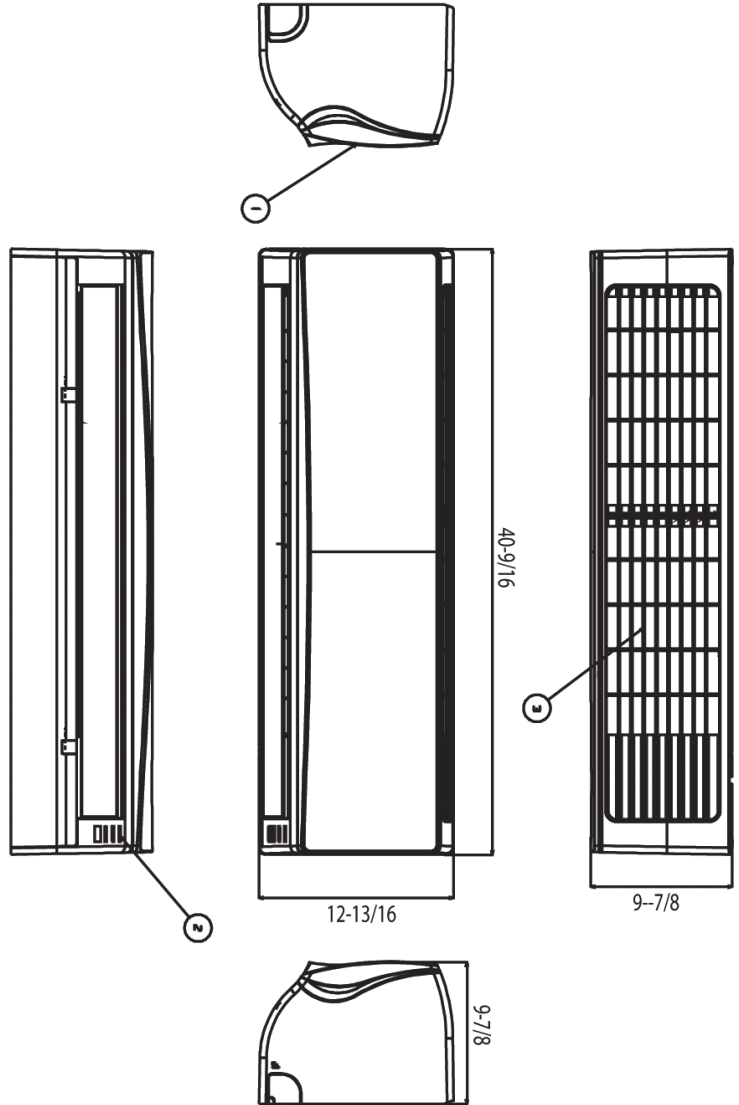
Tag #:

Date:

PO No.:



Unit: inch



Item No.	Part Name	Remarks
1	Front Panel	
2	Display & Signal Receiver	
3	Air Suction Grille	
4	Installation Plate	