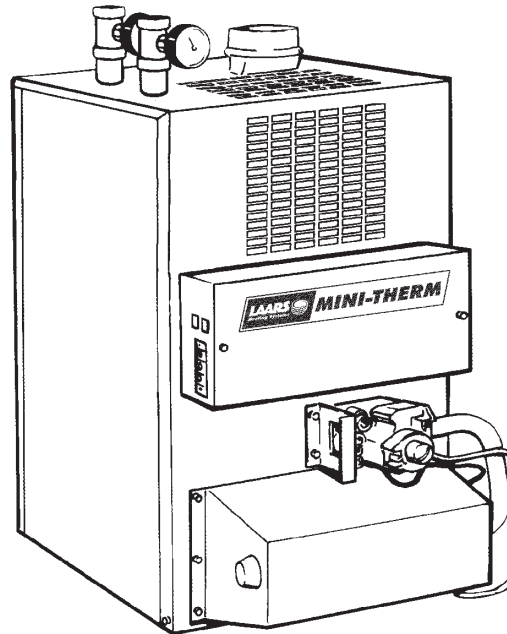


MINI-THERM® JVi

Hydronic Boilers



JVi Induced Draft Residential Gas-Fired Hydronic Boiler

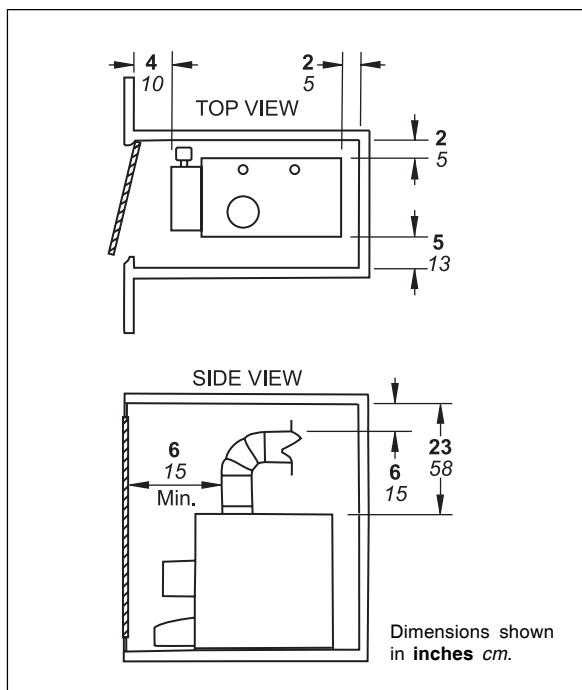
Sizes 50,000 - 225,000 BTU/h

Submittal Data **LAARS** Heating Systems

Minimum Boiler Clearances From Combustible Surfaces

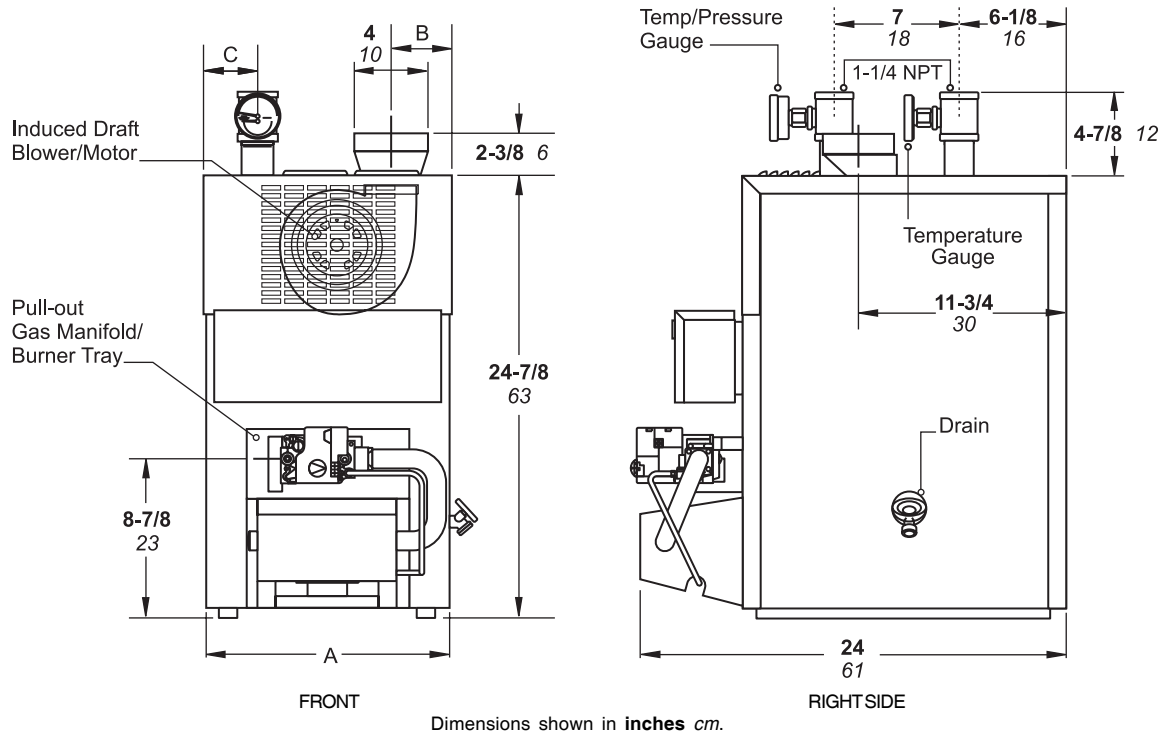
Boiler Sizes	Left Side	Right Side	Rear	Front	Flue*	Top
	inches cm					
50 to 225	2 5	5 13	2 5	4 10	6 15	23 58

*One inch (2.5cm) clearance using type B double wall vent pipe.



- Design certified and tested by American and Canadian Gas Associations
- Natural or propane gas
- Maximum working pressure - water 30 p.s.i., ASME rated
- Hydrostatic test pressure at factory - 60 p.s.i.
- Material specifications as per Section IV, ASME Code
- Designed and certified for placement on combustible floor (except carpeting)
- Maximum gas supply pressure - Natural - 9" w.c., Propane - 14" w.c.
- Pressure relief valve - capacity in excess of boiler input rating
- Integral induced draft fan
- Horizontal (Category III) or vertical (Category I) venting
- Air supply - natural aspiration
- Hot surface pilot ignition
- Slide-out burner tray
- Temperature/pressure gauge on outlet
- Temperature gauge on inlet
- Water headers - cast iron per ASME requirements
- Water tubes - pure copper with integral formed external fins
- Main burners - aluminized steel
- Pump relay standard
- Vent pressure safety switch
- Flame rollout safety switch
- Electrical - 115V/60Hz/1PH less than 12 Amps, 24V transformer mounted and wired
- 20 Year Warranty - see Document 1136 for details

Dimensional Data



JVi Size	Input		Heating Cap.				Net IBR				AFUE%	
			Nat. Gas		Pro. Gas		Nat. Gas		Pro. Gas		Nat. Gas	Pro. Gas
	MBTU/h	kW	MBTU/h	kW	MBTU/h	kW	MBTU/h	kW	MBTU/h	kW	Gas	Gas
50	50	14.6	41.5	12.1	42	12.3	36.1	10.5	36.5	10.7	83.4	84
75	75	21.9	62.3	18.2	63	18.4	54.2	15.8	54.7	16	83.2	84
100	100	29.1	82	24	83.5	24.4	72.6	21.3	72.6	21.3	82.4	84
125	125	36.6	102.5	30	103	30.1	89.6	26.7	89.6	26.7	82.4	82.8
160	160	46.8	131.2	38.4	103	38.9	114.1	33.4	115.5	33.8	82.3	82.4
225	225	65.9	184.5	54	187.2	54.8	160.4	46.9	162.8	47.7	82.2	83.2

JVi Size	Dimensions inches <i>cm</i>						Water Conn. in	Gas Conn. in	Approx Weight	
	A	B		C		lbs			kg	
50	13-3/8	34	3-1/8	8	2-7/8	7	1-1/4	1/2	160	73
75	13-3/8	34	4-1/4	11	2	5	1-1/4	1/2	165	75
100	16-7/8	43	5-3/4	15	2-7/8	7	1-1/4	1/2	180	82
125	16-7/8	43	5-1/2	14	2	5	1-1/4	1/2	185	84
160	20-3/8	52	7-1/4	18	2	5	1-1/4	1/2	210	95
225	25-5/8	65	10	25	2	5	1-1/4	3/4*	225	102

*1/2 for propane

