

## For Indoor Quality You Can Trust!

### The Right Product!



Humidifiers  
from the top:

Steam  
Drum  
Under Duct  
Flow Through

#### Adding A Skuttle Humidifier

To select the right humidifier, ask a qualified HVAC professional to measure your home's cubic footage, evaluate your heating and ventilation system and factor in all other variables. Preferred type and model of humidifier vary by region of the country. However, these general descriptions and guidelines for use will apply almost everywhere.

#### Steam

Steam units are ideal when indoor humidity must be maintained at a near-constant level to protect residents' health, reduce static electricity and/or retain appropriate moisture levels in furniture, woodwork, musical instruments and valuables. High-capacity steam humidifiers operate whenever there is a call for humidity independent of the heating system. They are designed for a variety of applications, including lower-temperature high-efficiency heating systems (with or without heat pumps) and 90+ furnaces with cooler plenum temperatures.

#### Drum

Since all moisture is evaporated, bypass drum humidifiers waste no water, making them the conservationist's choice. With routine maintenance, low-cost drum units will help conserve water, electricity and money, while delivering efficient whole-house humidification as part of a forced air heating system.

#### Under Duct

For the practical, budget-minded consumer with a 90+ furnace, under duct humidifiers will save money. Units are extremely efficient and are easy to install.

#### Flow Through

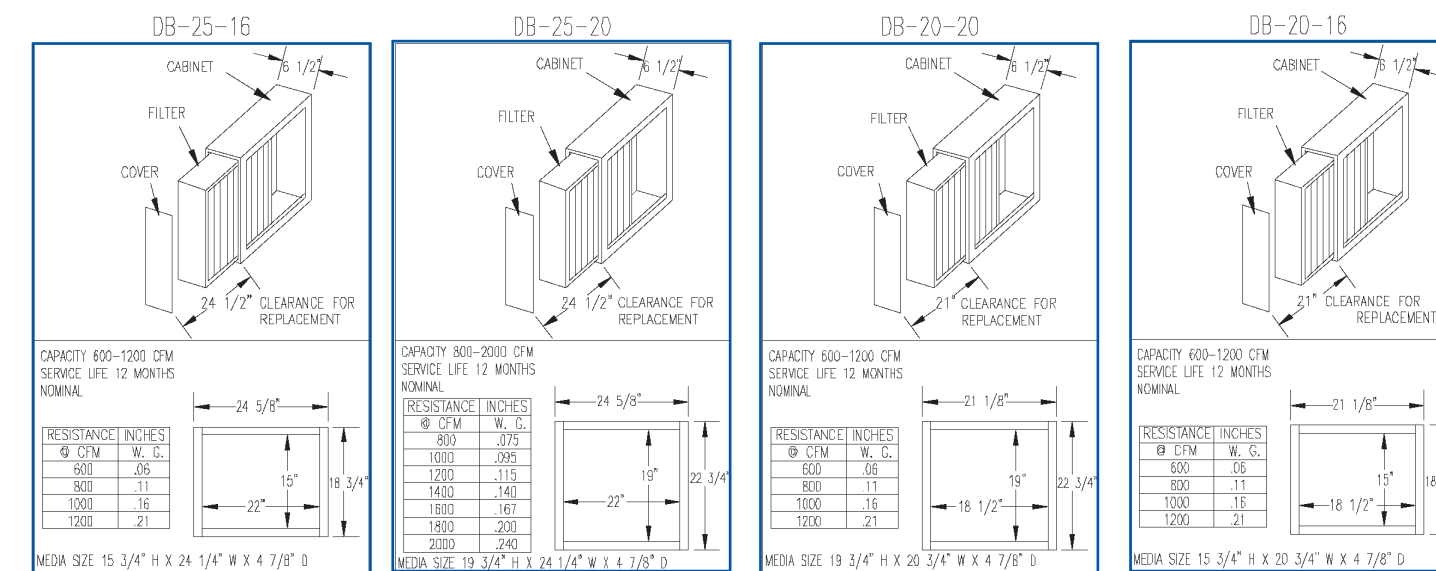
For low maintenance plus durability and performance, flow-through humidifiers are the popular choice. These units can be controlled with a manually adjustable humidistat or a Compustat automatic control.

Today's humidifiers cannot be oversized, although they are frequently undersized. The humidistat (included with all Skuttle humidifiers), in conjunction with the humidifier's built-in volume limitations, is designed to prevent excessive humidification. Installing a humidifier (other than steam) that will generate enough humidity while the furnace blower is on will satisfy the cubic-foot requirements of the home.

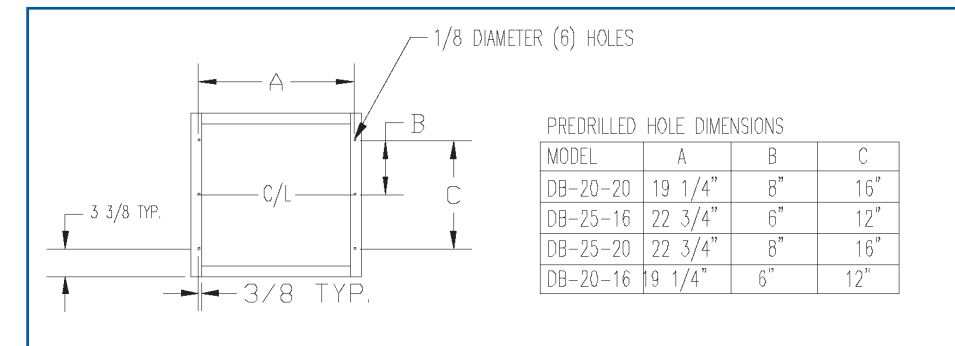
Skuttle Manufacturing Co. designs and manufactures a full line of residential, whole-house, indoor air quality products including humidifiers, air cleaners, make-up air controls and accessories at its facility in Marietta, Ohio. Skuttle products are sold in the continental United States and in Canada. The company has been family-owned and operated for three generations.

Consumer information about the benefits of humidification, filtration and ventilation can be found at [www.skuttle.com](http://www.skuttle.com). HVAC professionals will find technical information at [www.goskuttle.com](http://www.goskuttle.com).

## Air Cleaner Specifications



## Installation Specifications



**Contact Us:**  
Skuttle Manufacturing Co.  
101 Margaret Street  
Marietta, OH 45750  
740-373-9169 - USA & Canada  
800-848-9786 - USA Only  
[www.skuttle.com](http://www.skuttle.com)

[customerservice@skuttle.com](mailto:customerservice@skuttle.com)

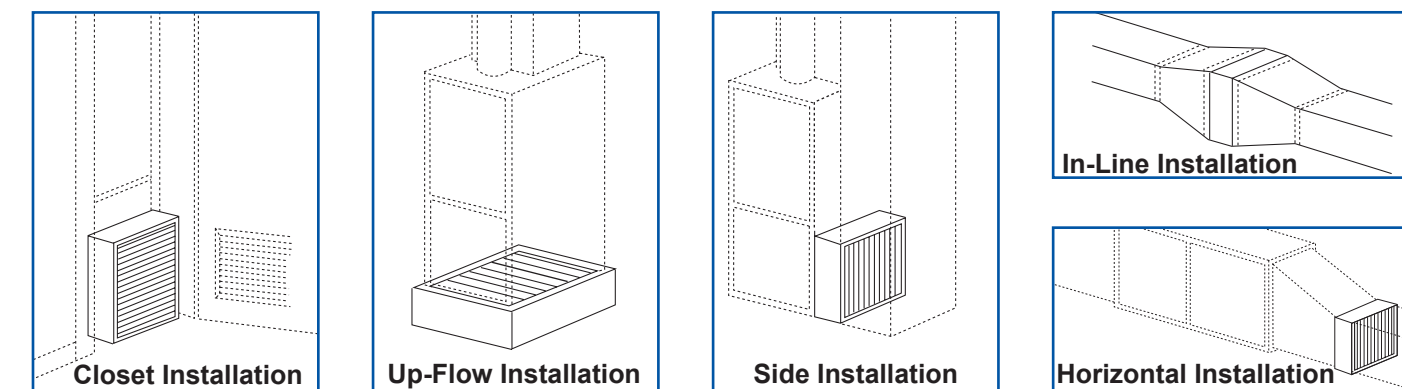


# Skuttle®

## Indoor Air Quality Products

2014.01

## Typical Installations



# Skuttle High Efficiency Air Cleaners

For A Healthier Home Environment



# Skuttle®

## Indoor Air Quality Products



## For A Safe, Healthy Haven

Did you know that in-home levels of common pollutants are 2 to 5 times higher than they are outside? Would you believe that levels of common pollutants can be more than 100 times higher\* than in the air just outside your walls?

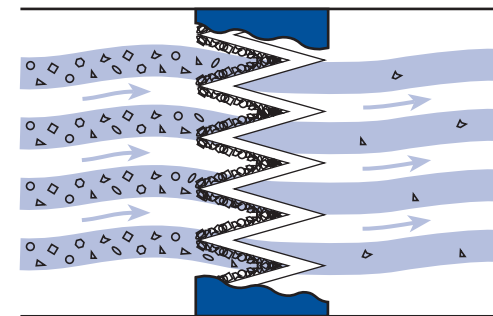
Microscopic contaminants known to cause eye, nose and throat irritation are common in most houses. These contaminants can also increase the risk of health conditions such as asthma, allergies, chronic bronchitis, lung cancer and other serious respiratory diseases.

*The smallest contaminants of a single micron or less make up about 99% of the particles circulating throughout a typical home.*



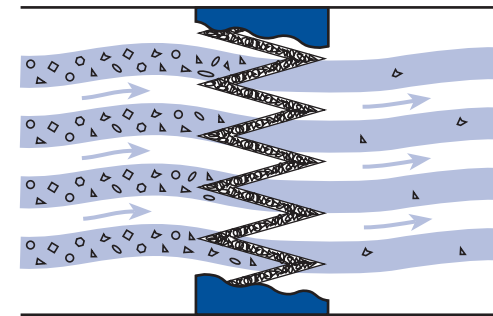
*According to EPA, levels of common pollutants can be more than 100 times higher inside your house than outside!*

### Filtration = Protection

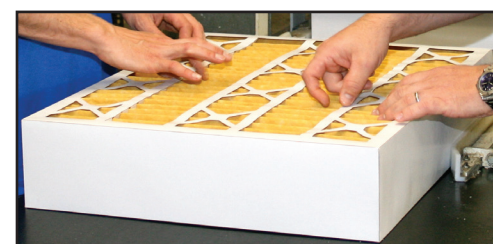


*Above: Competitor's surface-loading design is less efficient.*

*Below: Skuttle's superior depth-loading design captures more airborne particles and lasts longer.*



*Skuttle filter media meet exacting standards. Craftsmanship is a hallmark of Skuttle products.*



## Capturing Contaminants

Under standardized testing, Skuttle's MERV\*\* 8 high-efficiency filter media will capture and hold 84.9% of airborne contaminants and pollutants ranging between 3.0 and 10.0 microns in size.

For comparison, a single human hair is huge, ranging from 20.0 to 40.0 microns in size.

In addition to larger particles, Skuttle's MERV 8 high-efficiency filter media stops these and other similar size contaminants:

- carpet fibers
- cement dust
- dust mites
- dusting aids
- fabric protector
- hair spray
- human hair
- mold spores
- pet dander
- pollen
- powdered milk
- pudding mix
- sanding dust
- Spanish moss
- spray paint dust
- textile fibers

Most homeowners will find MERV 8 filtration to be highly effective.

For homeowners who insist on the best possible dust control, Skuttle's MERV\*\* 11 high-efficiency filter media stops particles in the 1.0 to 3.0 micron range, making it an excellent choice for very high indoor air quality. Skuttle's MERV 11 high-efficiency filter media stops all of the above *plus* these and other similar size contaminants:

- auto emissions
- coal dust
- lead dust
- milled flour
- nebulizer drops
- welding fumes

Depending on fan running time, size of the house, condition of HVAC unit, local air quality, family size and lifestyle, Skuttle filter media will perform reliably for up to a year.

## It's Always Allergy Season For Someone



*Since the body's respiratory system filters only airborne particles that are three-to-five microns in diameter, smaller airborne particles can be inhaled, potentially causing serious health problems.*

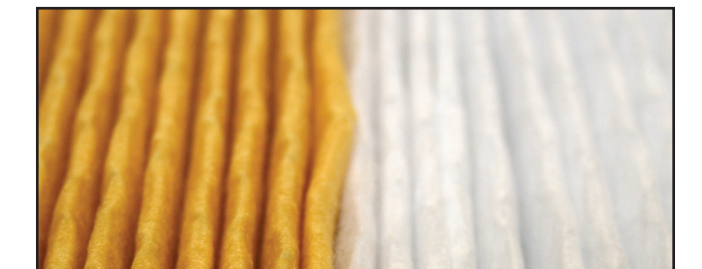
Allergies can be a frequent source of irritation the whole year through. Tree pollen in spring is a sure source of misery and discomfort. In summer, grass and tree pollen are abundant, often causing red, swollen, itchy eyes, runny noses, phlegm, sneezing, wheezing and shortness of breath. In the fall, billions of weed pollen particles are transported in the breezy night air. **A single ragweed plant can generate a million grains of pollen per day!**

When the weather turns cold, those affected by indoor allergens such as dust mites, mold spores and pet dander may experience more health problems during the season when more time is spent inside.

Summertime, wintertime, anytime – allergy-sufferers breathe easier in homes where Skuttle whole-house, high-efficiency Air Cleaners are properly installed and maintained.

## Healthier Home Filtration Options

Compare Skuttle High-Efficiency Air Cleaners to one-inch disposable panel filters that are MERV-rated between 1 and 4, if rated at all. Not only do they capture and hold less than 20% of airborne contaminants and pollutants ranging between 3.0 and 10.0 microns in size, most of these filters must be replaced every month or two.



*Skuttle High-Efficiency Air Cleaners are available with MERV 11 (above left) or MERV 8 (above right) filter media.*

**For a healthier home environment, choose Skuttle High-Efficiency Air Cleaners.**

## Choose Skuttle Air Cleaners For:

- Cleaner Indoor Air
- Cleaner HVAC System
- Longer Filter Life
- Extended Furnace Life
- Significant Cost Savings
- Healthier Living

Skuttle Air Cleaners are available in popular sizes. For optimum indoor air quality, ask a qualified HVAC professional to recommend the right Skuttle Air Cleaner, Humidifier and MakeUp Air Controls for your house.



**Skuttle®**  
Indoor Air Quality Products

*In addition to protecting you and your family from airborne contaminants, Skuttle High-Efficiency Air Cleaners help protect the HVAC system which can contribute to extended furnace life.*

\* American Lung Association, see "Air Quality" at [www.lungusa.org/air](http://www.lungusa.org/air)  
\*\* Minimum Efficiency Reporting Value (MERV) is an international industry standard determining a numeric value of filter media efficiency based on its ability to capture and hold dirt and dust particles of specific sizes.