

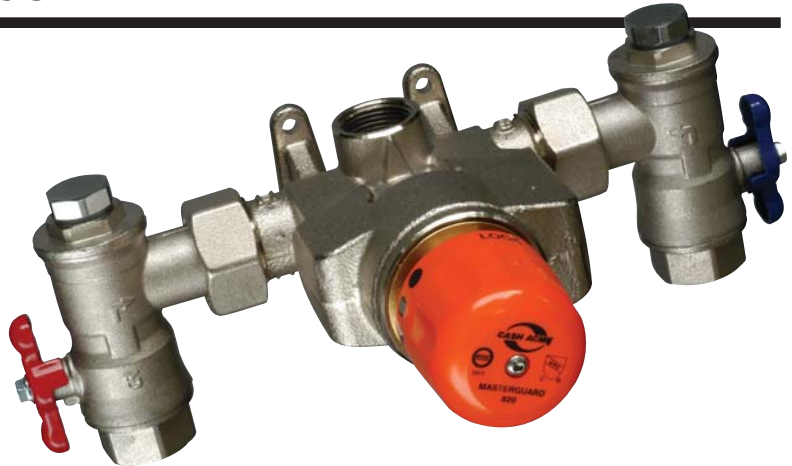


Masterguard® 800 Series

The Masterguard® Series is a range of six high flow rate Temperature Actuated Mixing Valves from 3/4" to 2" that mix hot water with cold to deliver tempered water at a controlled temperature, typically 150°F (65°C) maximum.

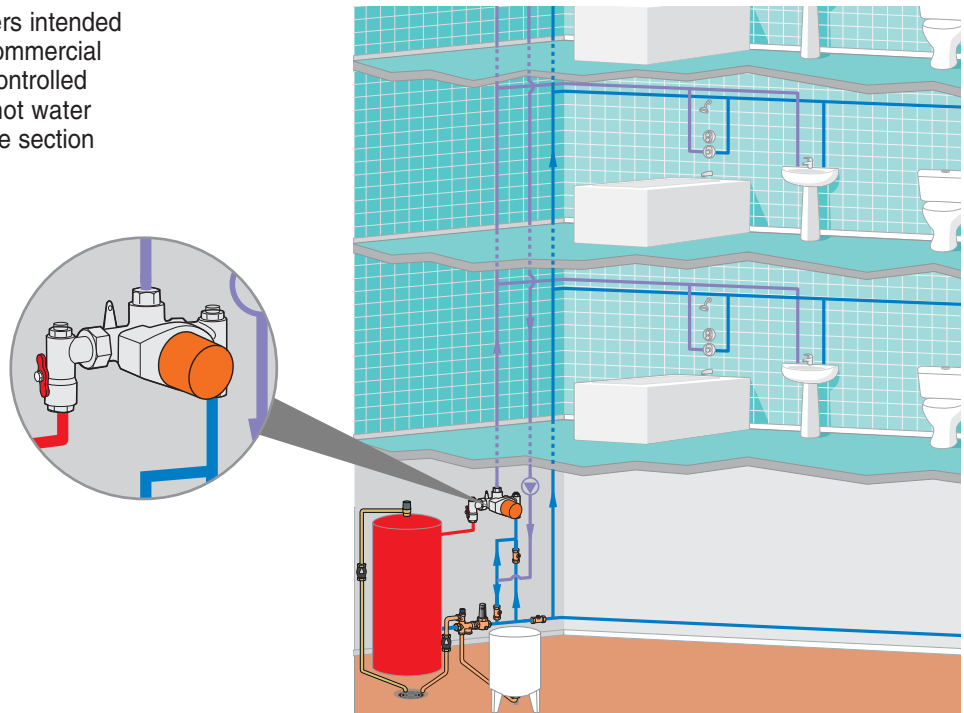
The Masterguards® are central mixers intended for installation in the plant room of commercial and industrial facilities to distribute controlled temperature water to the domestic hot water system of a whole building or a whole section of a building.

- Accurate temperature control, even at very low flows: Faster to commission, greater user comfort and safety.
- Integral mounting feet on valve body: No extra brackets to buy, lower cost and more secure installation.
- Fast reaction to changes in flow rate or supply temperature: Constant outlet temperature for greater comfort.
- Robust, low complexity construction based on proven Thermostatic Technology: Superior reliability, improved user safety.
- Listed by IAPMO and ASSE: Inspector friendly, peace of mind!

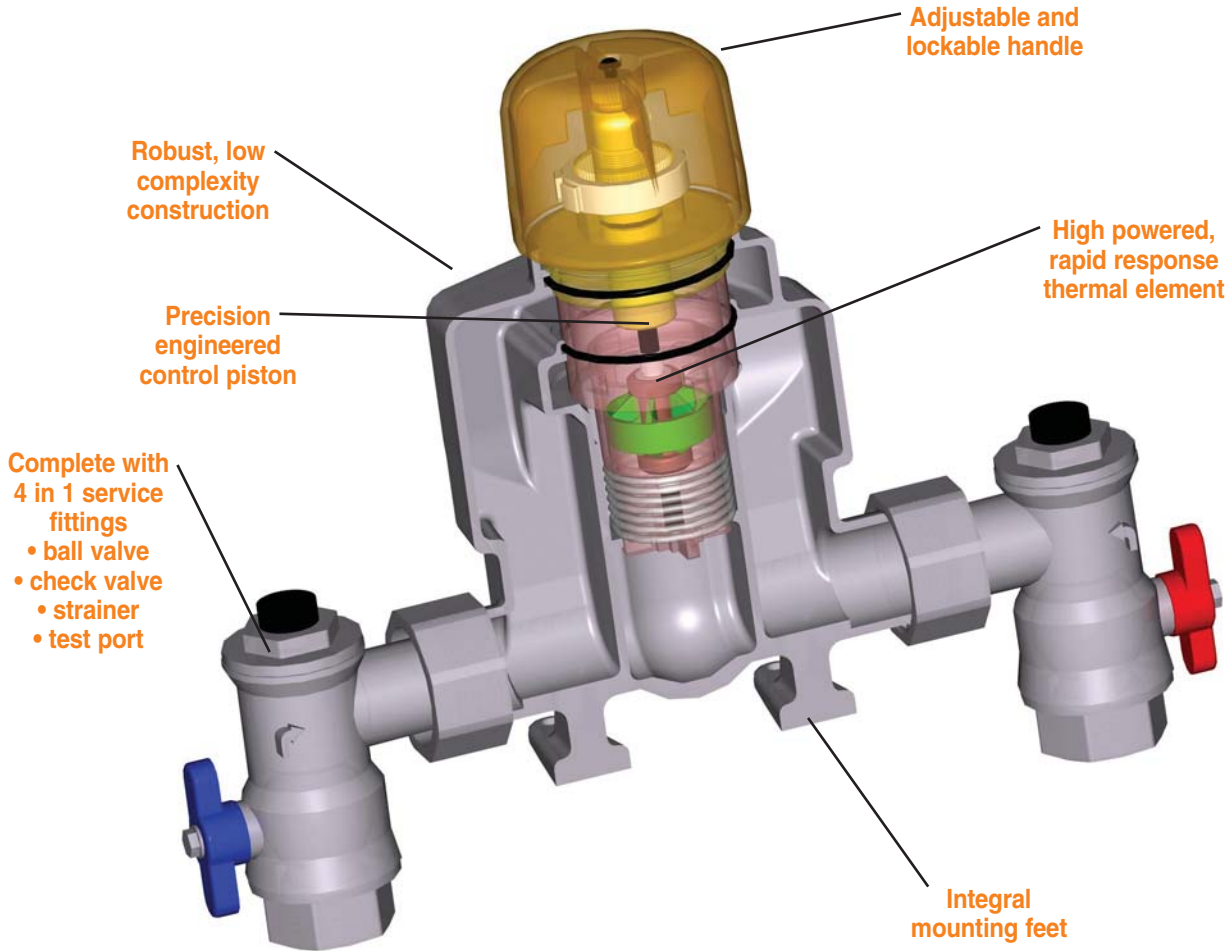


TYPICAL INSTALLATION

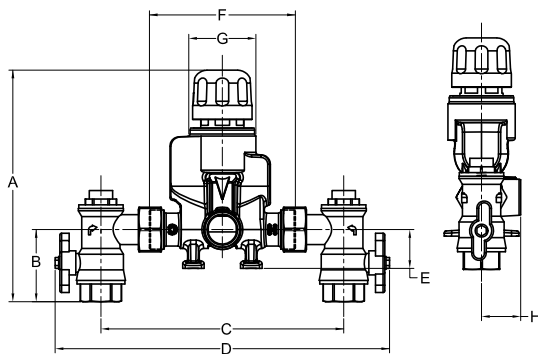
The Masterguards® are central mixers intended for installation in the plant room of commercial and industrial facilities to distribute controlled temperature water to the domestic hot water system of a whole building or a whole section of a building.



Masterguard® 800 Series



MODELS/SIZES



Measurement in inches

Product	Inlet	Outlet	Flow at 45 psi	Min flow rate*	A	B	C	D	E	F	G	H
810	1/2"	3/4"	19 gpm	1 gpm	5.5	2.2	7.1	9.8	1.2	3.9	2.0	1.1
820	3/4"	3/4"	30 gpm	2.5 gpm	6.7	2.4	8.1	11.3	1.3	4.9	2.4	1.3
830	3/4"	1"	51 gpm	4 gpm	9.2	2.4	10.0	13.1	1.7	6.7	3.5	1.9
840	1"	1 1/4"	75 gpm	8 gpm	10.2	2.8	10.2	13.6	1.7	6.5	3.5	1.9
850	1 1/4"	1 1/2"	105 gpm	13 gpm	12.75	2.5	13.7	16.3	1.9	9.3	5.1	1.9
860	1 1/2"	2"	149 gpm	18.5 gpm	13.0	2.5	13.7	16.3	1.9	9.3	5.1	1.9

*Valve can regulate temperature of lower flow rates with a properly designed recirculating system.

CERTIFICATIONS

The Cash Acme Masterguard® Series is certified to **ASSE 1017** and **CSA B125.3**.
The Cash Acme Masterguard® Series is listed by **ASSE** and **IAPMO**.