



# Uponor

RADIANT HEATING SYSTEMS

JOIST TRAK™

CUT SHEET

## Uponor Joist Trak™ — The Innovative Solution for Radiant Floor Heating

### Overview

Uponor's Joist Trak™ speeds tubing installations for radiant heating applications and greatly improves the overall heat output when compared to staple-up and double-groove aluminum plates.

Joist Trak is an extruded aluminum heat transfer plate (4' long x 4" wide) capable of much higher output resulting in greater comfort and efficiency for radiant heating systems.

To install Joist Trak, just fasten the four-foot aluminum plate to the subfloor and snap in the Wirsbo hePEX™ plus tubing. It's that simple.

### Features and Benefits

- Excellent for use in floor, wall and ceiling applications
- Available for 3/8" or 1/2" Wirsbo hePEX plus tubing
- Extruded aluminum delivers greater output and more uniform heat distribution
- Installs from below the subfloor to avoid altering floor construction
- Less-invasive method cuts installation costs and reduces clutter
- Versatile — cut four-foot lengths right on the jobsite to fit any space
- Easy to install — just fasten the Joist Trak and snap in the tubing
- Self-supporting design does not require additional fasteners for tubing runs



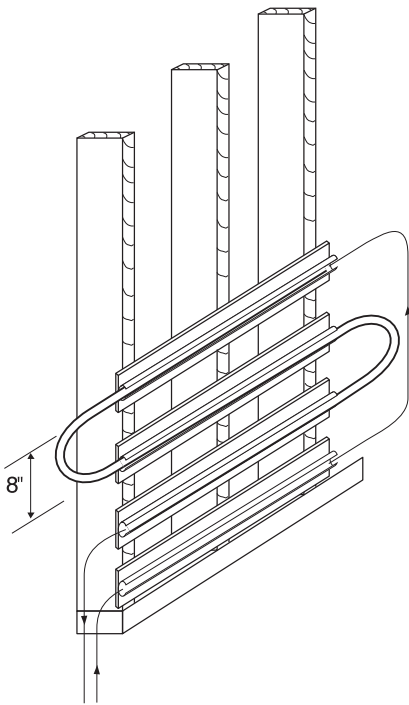
Wirsbo hePEX plus tubing easily and securely snaps into the Joist Trak channel for faster installations without extra fasteners.



## Helpful Hints for Using Uponor Joist Trak

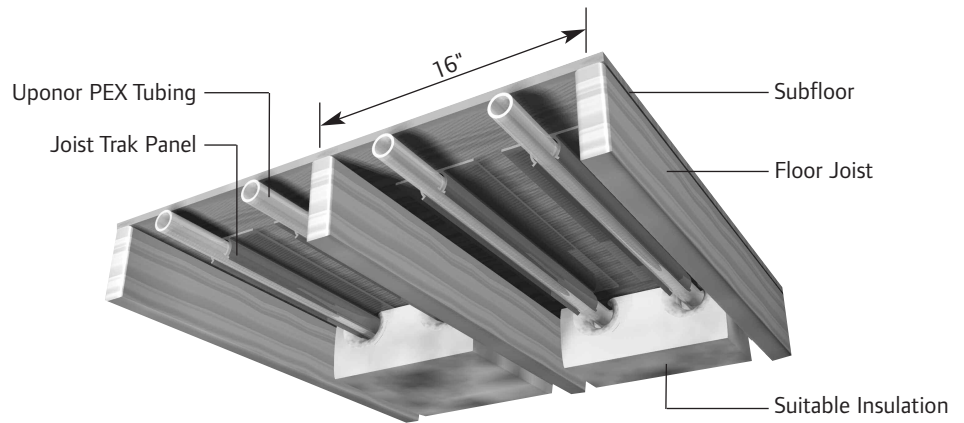
To determine the number of Uponor Joist Trak panels needed for a job, refer to the following instructions.

1. Figure the amount of tubing required by taking the net heated area and multiplying by 1.5 (for 8" on-center spacing).
2. Take the total length of tubing required (not including the supply-and-return runs) and multiply that number by 0.80 (this will account for the exposed turns at each end).
3. Divide by 4 and round up to the next whole number for the total number of 4-foot Joist Trak panels required.

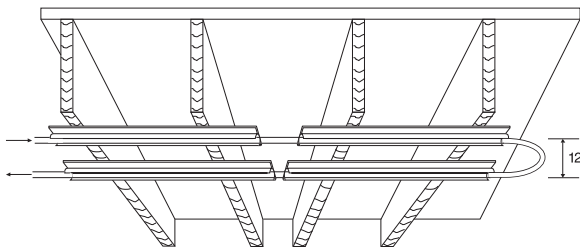


**Wall Installation**

Product Information	Joist Trak for 3/8" Tubing	Joist Trak for 1/2" Tubing
Part Number	A5080375	A5080500
Overall Height	0.550"	0.675"
Internal Channel Diameter	0.515"	0.640"
Wall Thickness	0.050"	0.050"
Width	4"	4"
Length	48"	48"



**Below Subfloor Installation**



**Ceiling Installation**

**Note:** When using sheetrock, ensure water temperature does not exceed 120°F (48°C).