

# Ascent™ II

Macerating Toilet System



### Models:

**Ascent II-ESW** Complete system - elongated toilet

**Ascent II-RSW** Complete system – round front toilet

### Contents

- 1.) General Information
- 2.) Introduction
- 3.) Installation
- 4.) Operation
- 5.) Maintenance
- 6.) Troubleshooting Chart
- 7.) Warranty

**Installer: Please leave this manual with the owner/operator for future reference.**

Prior to installation, record Model, Serial Number, and Code Number from pump nameplate for future reference.

MODEL: \_\_\_\_\_

SERIAL: \_\_\_\_\_

INSTALLATION DATE: \_\_\_\_\_



7000 Apple Tree Avenue  
Bergen, NY 14416  
Phone: (800) 543-2550  
Fax: (585) 494-1839  
www.libertypumps.com

Macerator UPC listed, file 5771;  
Toilet UPC listed, file 8056;  
Toilet Meets EPA WaterSense Criteria

C US  
ASME A112.3.4  
CSA B45.9

[Certifications apply to 115V Models Only]

# 1. General Information

Before installation, read the following instructions carefully. Each Liberty pump is individually factory tested to ensure proper performance. Closely following these instructions will eliminate potential operating problems, assuring years of trouble-free service.

## ⚠ WARNING

### Explosion Hazard and/or Health Hazard during installation or maintenance

- **Risk of electric shock.** Always disconnect the macerator from the power source before handling or making adjustments.
- These pumps are not to be installed in locations classified as hazardous in accordance with the National Electric Code, ANSI/NFPA 70.
- Qualified personnel should only make the electrical connections and wiring for a pump installation.
- This pump is supplied with a grounding-type attachment plug. To reduce the risk of electric shock, be certain that it is connected to a properly grounded, grounding-type receptacle.
- This product must be connected to a ground fault circuit interrupter (GFCI) receptacle or circuit breaker.
- Do not bypass grounding wires or remove ground prong from attachment plugs.
- Do not use an extension cord.
- The installation must be in accordance with the National Electric Code and all applicable local codes and ordinances.
- The Macerator has a large opening to accept the discharge hub of a rear discharge toilet. DO NOT place hand or other objects into this opening even if unit is unplugged. The macerator has razor sharp cutters within this opening.
- Decorative covers must be installed for operation, a safety device is integrated into the covers to prevent unintended operation. The unit may start when energized the first time.
- Explosion hazard during installation. PVC cleaners, primers, and cements can release explosive vapors. These heavier than air vapors can accumulate in the tank. The heat of soldering or sweating copper or other metal pipe can ignite these vapors causing a violent explosion. If the unit is to be connected to copper discharge or vent piping, all solvent welded PVC joints must be allowed to cure a minimum of 24 hours. The access cover must be removed to allow the macerator to be thoroughly ventilated prior to sweating copper pipe near the unit.

## ⚠ CAUTION

- Do not use macerator in water over 104° F.
- Do not lift macerator by the power cord.
- **Do not use an air admittance valve or a mechanical spring-loaded venting device.**

### 1-1 INSPECTION UPON RECEIPT.

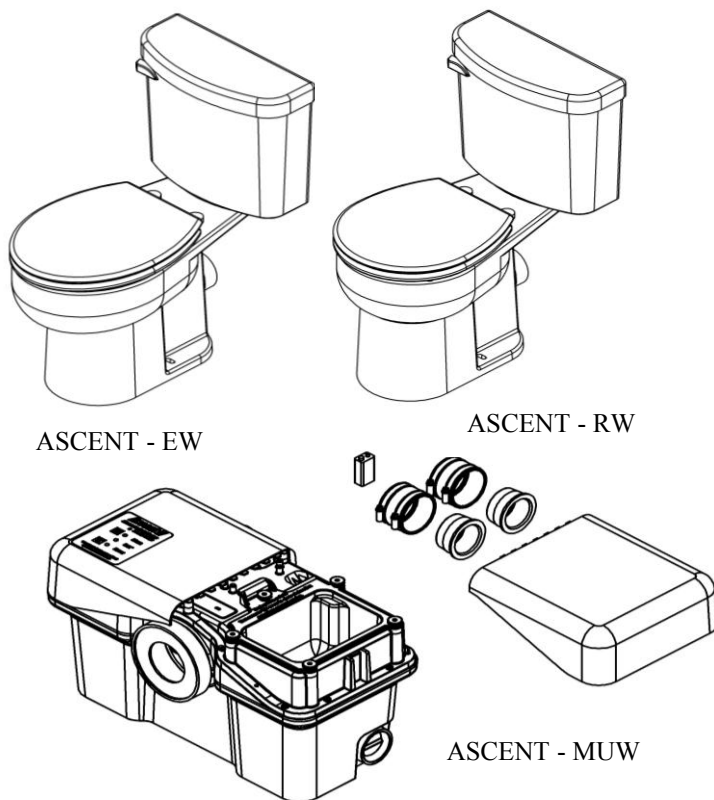
The Ascent II is shipped in 3 separate packages, the toilet tank (model: Ascent II - TW), toilet bowl (model: Ascent II – RW or EW) and macerating unit (model: Ascent II - MUW). The shipping containers should be immediately inspected for damage that may have occurred in shipment. Exercise care in opening the shipping container to avoid damage to the contents. Remove any blocking and packaging from within the containers.

Check all packaging for spare parts before discarding. Visually check the macerating unit and any spare parts for damage. Check for damaged electrical wires, especially where they exit the macerating tank. Report any damage or shortage of parts to Liberty Pumps 1-800 543-2550.

List of included parts:

Toilet Bowl  
Toilet Tank  
Macerator

Macerator tank  
Rubber couplings with clamps  
Reducing bushings  
9-volt battery  
Allen wrench - 3/16"  
Grease packet



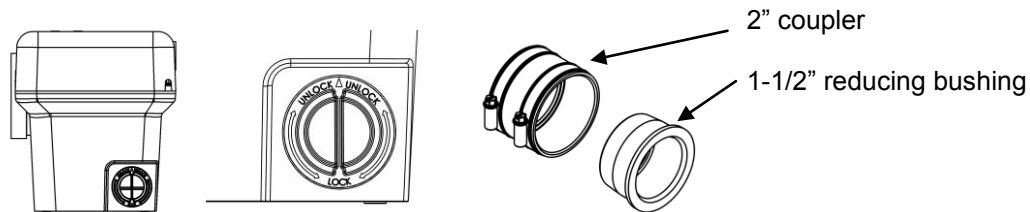
## 1-2 STORAGE BEFORE USE

Liberty products are shipped from the factory ready for installation and use. If storage is necessary, the pump should remain in its shipping container. It should be stored in a warehouse or other area that is clean, dry and temperature-stable. The pump and packaging should be covered to protect it from water, dirt and dust.

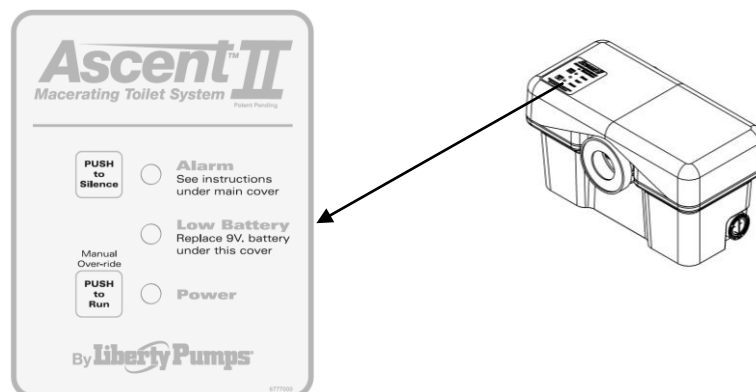
**IMPORTANT:** After installation, do not allow the pump to freeze. If the home is allowed to freeze during winter months, ensure the macerating unit and toilet are evacuated of water before closing the home. The tanks should be properly winterized and filled with plumber's anti-freeze to protect against freezing conditions. The battery should also be disconnected.

## 2. Introduction

- 2-1 **MACERATING SYSTEM:** The macerator is designed to accept wastewater from a rear discharge toilet but can also simultaneously receive wastewater from several sanitary fixtures like a sink, shower, bathtub, or urinal (a single bathroom group). However, only one water closet (toilet) per unit may be connected.
- 2-2 **USAGE:** The macerating system is designed for the disposal of human waste, toilet paper and water. It is not intended for kitchen waste, nor is it intended to be used for the disposal of wastewater from such pumped appliances as dishwashers and clothes washers. This product is not designed for emptying large pools or spas.
- 2-3 **TOILET:** The toilet works as a conventional flushing toilet and needs no special maintenance in normal use. All standard cleaners can be used just as with a standard conventional toilet.
- 2-4 **BATH LAYOUT:** Sanitary fixtures connected to the macerating system must be located on the same floor level.
- 2-5 **AUXILIARY INLETS:** The macerator unit is equipped with two inlet ports, one on each side. These ports are designed for standard PVC pipe. Included with the system are two 2" flexible PVC couplers and 1-1/2" reducing bushings. These inlets, which incorporate an internal check valve, are used to connect the drainpipe of other sanitary fixtures to the macerating pump unit. Typically, the 2" drain is used with shower stalls only. A tub, shower/tub combo, or sink would use a 1-1/2" drain line. From the factory, the auxiliary inlets are plugged - if the port is to be used the plug must be removed. The plug can be removed by rotating until the rib is vertical and then pulling outward. If the unit has been stored for some time pliers may be needed to assist in removal.



- 2-6 **BATHTUBS AND SHOWER STALLS:** Any regular bathtub up to 100 gallons or shower can be used. When installing these fixtures, build a 6" high platform on which the fixture is placed. This gives enough space for a p-trap and slope toward the Macerator's auxiliary inlets. When installing a shower, manufacturers sometimes offer a pre-fabricated raised shower base. NOTE: The actual distance between the p-trap of the additional fixture and Macerator determines the necessary clearance to install the p-trap and elevation required to ensure a minimum pitch of 1/4" per foot drop.
- 2-7 **OPERATION:** The macerating system starts automatically once the toilet is flushed or liquid from other fixtures enters the unit. It automatically shuts-off once the contents have been pumped away. Run times will vary depending on inflow and source. See Section 2-9 for normal operating cycles.
- 2-8 **USER INTERFACE:** The macerator has a user interface (touchpad with LED's) located on the top left side of the unit. This label contains three LED lights: GREEN – identifies the unit has power, YELLOW – 9-volt battery needs to be replaced, and RED – alarm. If the unit is unable to evacuate the holding tank or cannot keep up with the incoming flow the red light and audible alarm will activate. The label has two push buttons – a "Push to Silence" which will silence the audible alarm and a "Push to Run" which will over-ride the internal switch and manually run the macerator and pump.



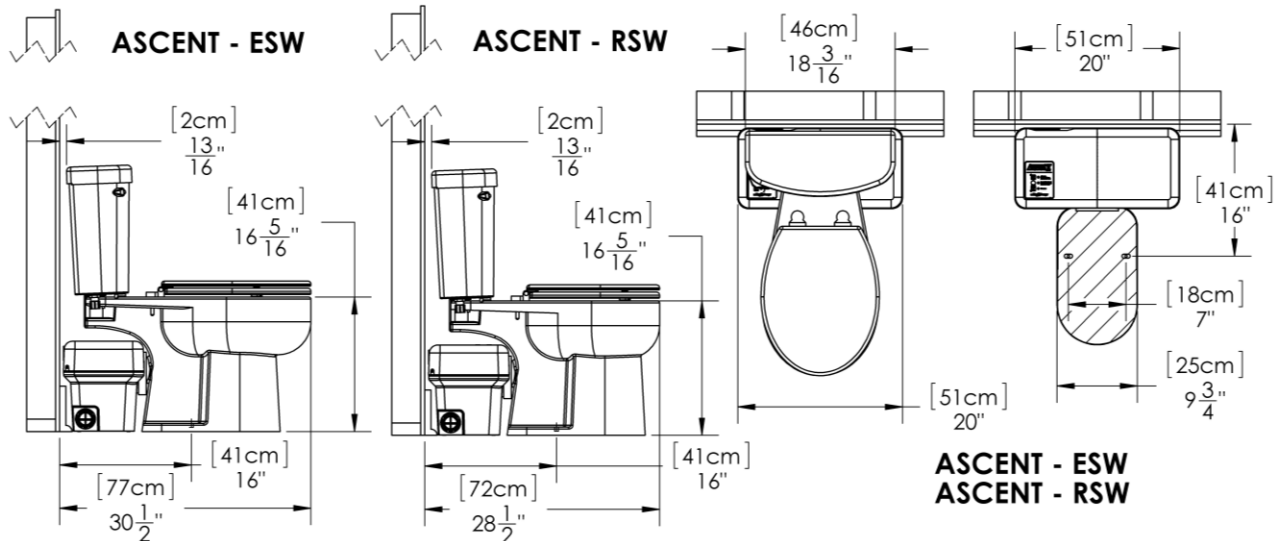
- 2-9 **NORMAL OPERATING CYCLE:** The macerator's IST switch is capable of distinguishing between different modes of operation and optimizes the run time accordingly. Advanced run detection will energize the cutters once the unit detects a flush. In doing so, the cutters are spinning at maximum speed (rpm) prior to fluid and debris reaching the cutting system. The unit may pulse during a shower or draining a bathtub because the macerator can pump at a higher rate than the incoming flow.
- 2-10 **ALARM:** The macerator has an integral alarm that will sound if the unit cannot remove liquid or keep up with incoming water. If the alarm sounds, a number of conditions could exist; please see the trouble shooting guide to determine the cause and solution. A silence button located on the user interface touchpad will stop the audible alarm. The alarm light will continue to illuminate. Discontinue using the product until the problem has been identified and resolved. In the event of a power outage, a 9-Volt battery will power the alarm. (Note: In the event of a power outage and if necessary, the macerator will accept two flushes prior to alarm activation. After that, the unit should not be used again until the power is restored.) The alarm automatically resets once a normal cycle is performed. If the yellow light is illuminated on the LED touchpad, the 9 volt battery needs to be replaced. The expected life of the supplied battery is 5 to 7 years.
- 2-11 **ACCESS COVER:** The macerator has an access cover that can be removed to gain access to the pumping and macerating cartridge to remove debris or perform maintenance. Once the right hand decorative cover and access cover have been removed, the cartridge can be slid towards the opening to provide access to the basket and cutting mechanism. The blades or entire cutting base can be replaced if needed. See the maintenance section 4-3 of this manual for detailed instructions.

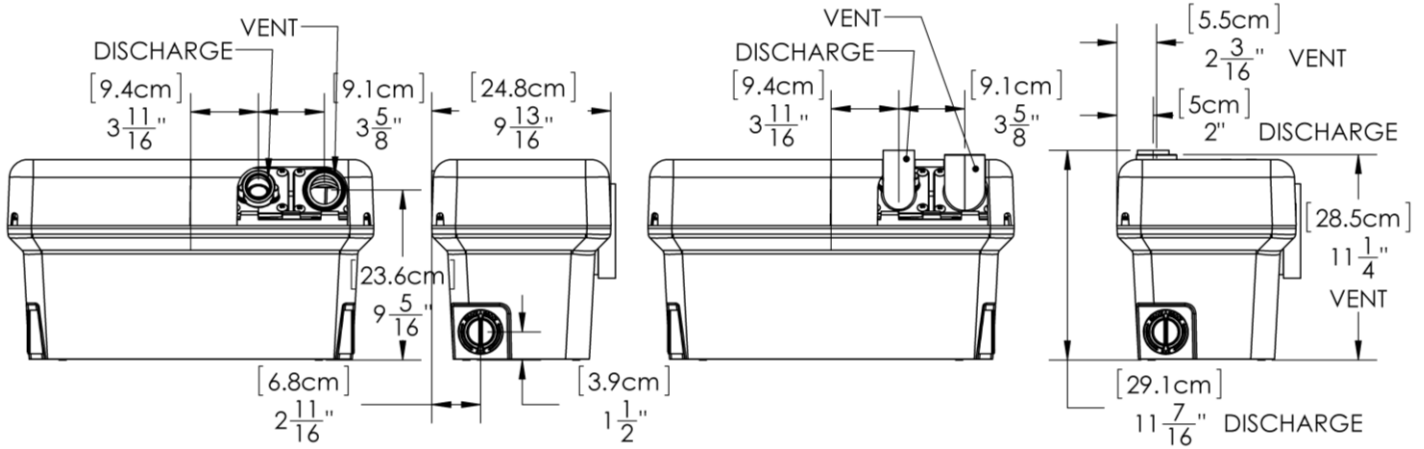
## 3. Installation

- **NOTE: All installations should be done in accordance with federal, state and local codes. It is recommended that a certified or qualified installer perform these operations. Do not use an air admittance valve or a mechanical spring-loaded venting device.**

### 3-1 The bathroom layout should be designed prior to installation.

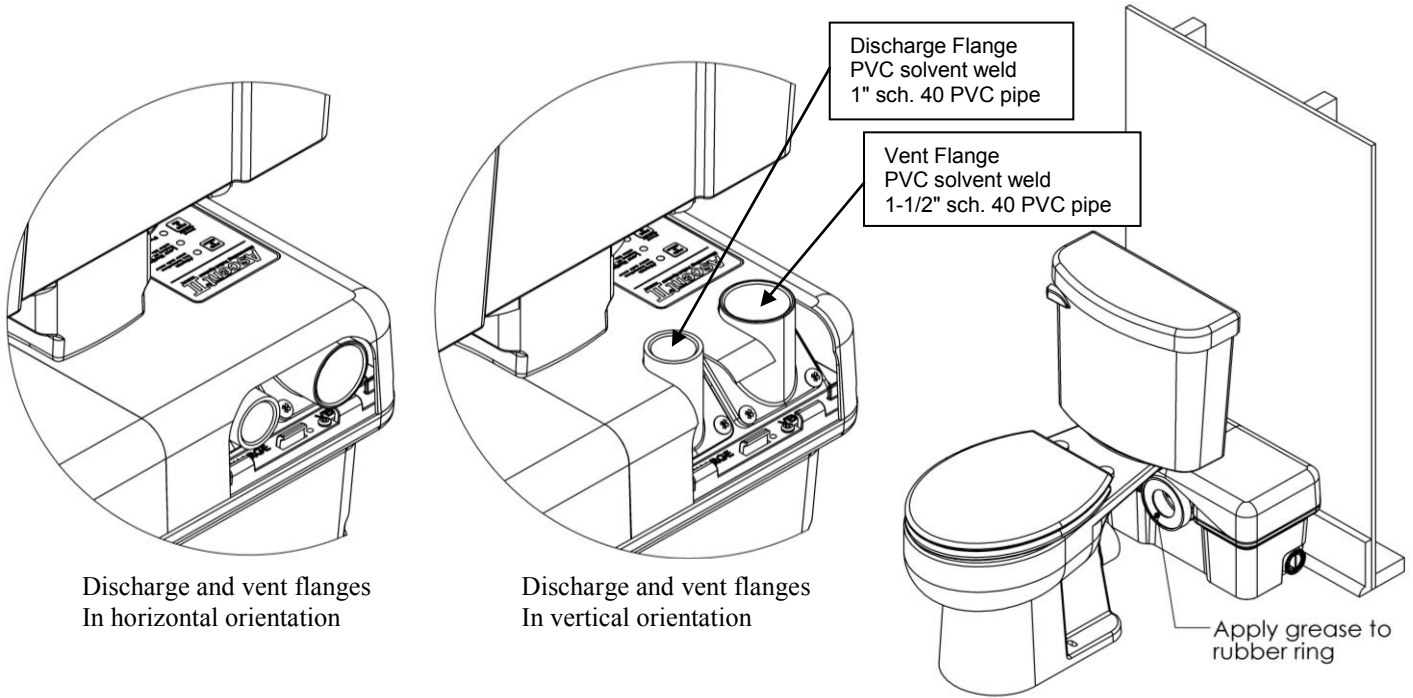
- a) Make certain the power source (GFCI receptacle) is within range of the macerator's 8' power cord. The cord can be configured to exit the unit on either the left or right side. Do not use an extension cord. When exiting the left side of the macerator the vent flange must be removed so the cord can be routed between the positioning clips. Reinstall vent flange after routing the cord.
- b) If possible, the right side of the macerator should remain unobstructed. An access cover is located under the decorative cover that allows access to the cutting mechanism. In the event of a jam, the decorative cover as well as the access cover will need to be removed from the macerator and working room to do so would be beneficial.
- c) Auxiliary inlet ports are located on either side towards the back of the macerator's tank. These ports can accept waste from sink or tub/shower.
- d) An optional discharge extension allows the macerator to be positioned behind a wall. For instance, the macerator could be positioned on the floor of a linen closet or utility room. DO NOT fully frame unit into a wall -- access to macerator must be maintained.
- e) The macerator features Quickflip™ discharge and vent flanges that can be oriented in a vertical or horizontal orientation to best fit your installation.
- f) A sink should be plumbed into one of the auxiliary inlets and not the discharge line of the macerator even if elevations would allow such an installation. The discharge line is pressurized and the plumbing system needs to accommodate this.
- g) The water supply line for the toilet tank is located on the left side. When roughing in, pay attention to allow for the macerator.
- h) Long downward pitched runs of discharge piping, or piping where the point of discharge is at a lower elevation than the macerator unit, should be designed to prevent siphoning from the macerator tank.
- i) Rough in dimensions – The toilet hold down fasteners should be located 16" from the wall and spaced 7" apart. This assumes a typical baseboard of 3/4" x 5.5" with 3/4" quarter round. Actual baseboard dimensions must be taken into account during the installation and thus rough in dimensions might change.





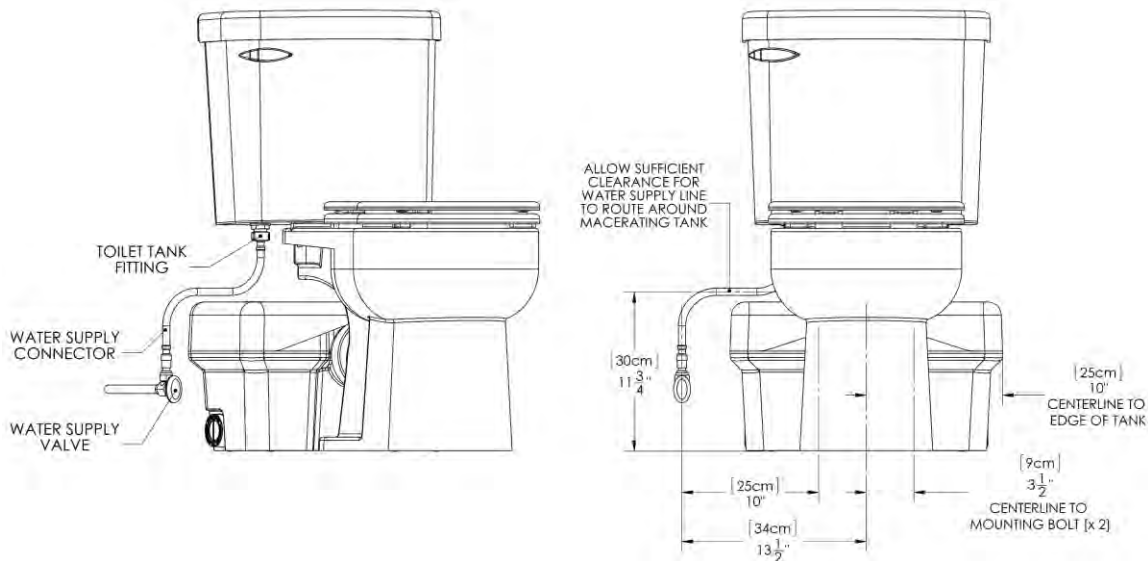
### 3-2 PREPARING THE MACERATING PUMP UNIT FOR INSTALLATION

- 3-2-1 The decorative covers are shipped from the factory assembled on the unit. However, during the installation both covers must be removed from the macerator. The auxiliary inlet couplers, Allen wrench, grease packet, hardware, and 9-volt battery can be found in a depression in the access cover.
- 3-2-2 Auxiliary inlets should be plumbed using the supplied aux. inlet couplings and/or reducing bushing when connecting to either 2" or 1-1/2" standard sch 40 pvc pipe. The plug must be removed by turning until the rib is vertical and pulling outward, pliers might be required if unit has been stored.
- 3-2-3 Both the discharge and vent flanges are shipped from the factory in the horizontal orientation. If the installation allows for a vertical orientation, the four screws must be removed from each in order to flip the flange. The decorative cover will need to be modified with the use of a hole saw and cutters to remove material. A template is provided on the underside of the decorative cover.
- 3-2-4 When installing the toilet to the macerator, first apply a small amount of silicone grease (grease package is provided) to the rubber sealing lip of the macerator. This will provide for a very simple and smooth installation.



### 3-3 SYSTEM ASSEMBLY

- 3-3-1 Schematics: Typical Installation Diagrams. Refer to these diagrams when needed during the assembly process. Installations may vary per local plumbing and electrical codes. Also, discharge and vent pipe routing can vary per installation.
- 3-3-2 Place the macerator in the desired location and connect all inlet and outlet waste piping to the unit. The non-inlet side of the tank should be towards the wall to ensure proper toilet placement.



- 3-3-3 Assemble the toilet in accordance to the installation manual(s) provided with it. Be careful when tightening fasteners as to not crack the porcelain.
- 3-3-4 To mount the toilet to a concrete floor, drill two holes approximately 2-1/4" deep with a 5/16" masonry drill bit. Insert plastic plugs into holes. If the floor is wood, bore a pilot hole with a 1/4" drill bit. Fasteners not included.
- 3-3-5 Place the toilet in front of the macerating tank and apply silicone grease to sealing lip of macerator. Then slide the discharge hub of the toilet into the rubber sealing ring of the macerator.
- 3-3-6 Place the toilet over the holes in the floor. Slip the plastic china protectors over the lag screws ensure proper orientation. Tighten lag screws (do not over tighten) and snap plastic caps in place.
- 3-3-7 Connect the water supply line to the fill valve, located directly below the flush lever, on the bottom of the toilet tank.

#### 3-4 CONNECTION TO THE DISCHARGE AND VENT FLANGES

- 3-4-1 The Macerator has a PVC discharge flange with an integrated check valve that can be configured in a vertical or horizontal orientation. Standard 1" schedule 40 PVC pipe can be solvent welded directly to the flange. Excessive amounts of glue should be avoided. The check valve can be removed from the flange if required. Replacement flanges can be ordered. <http://www.libertypumps.com/Service/ReplacementParts/>
- 3-4-2 A "full-port" ball or gate valve and a union should be installed in the discharge pipe to facilitate the removal of the macerator or to perform maintenance if required. In addition, a drain off point is also recommend to allow the discharge piping to be drained if required.
- 3-4-3 The macerator is equipped with a PVC vent flange, which can be configured in a vertical or horizontal orientation. Standard 1-1/2" Schedule 40 PVC pipe can be solvent welded directly into the flange.
- 3-4-4 The macerator must be vented to allow for proper toilet flush performance. Depending on the installation, the product should either be connected to the stack vent of the dwelling or vented (plumbed) directly outside.
- 3-4-5 **\*\*\*Do not use an air admittance valve or a mechanical spring-loaded venting device**, as these devices are one-way valves. The air pressure in and outside the macerating pump unit must be equal, a "cheater" vent will obstruct the airflow in one direction and prevent proper toilet function.
- 3-4-6 The Macerator is not designed to support the discharge and vent piping; proper pipe hangers are required.

#### 3-5 CONNECTION TO THE SOIL-STACK OR SEWER

- 3-5-1 The macerator has a shut-off head of 36 feet. All frictional losses from horizontal runs and elbows need to be accounted for. The minimum flow rate for 1" PVC sch. 40 pipe is 5 gal/min compared to 3 gal/min for 3/4" PVC pipe. If you require a vertical lift, it should precede any "horizontal" run and should commence as near as possible to the discharge of the macerator. Once you have started the horizontal run, you may not change directions in a vertical manner.

**NOTE: Friction losses from horizontal runs without 1/4" per foot pitch will reduce the amount of vertical lift the system is capable of handling. See sections 3-5-2 and 3-5-3. Consult factory for proper sizing if you have long runs or multiple elbows. Phone: 1-800-543-2550.**

- 3-5-2 The discharge piping can be made from 3/4" or 1" diameter PVC pipe. Use long turn bends and not elbows where possible. The connection to the soil-stack or sewer pipe should be made with an approved wye fitting.

**3-5-3**

If you wish the unit to pump vertically and horizontally you may calculate 3 feet of vertical lift is equivalent to 30 feet of "horizontal" run. Each bend or change of direction gives a pressure drop, which must be calculated into the total head of the unit. As an estimate, reduce discharge height by 3 feet for each 90° bend.

For example: 1" SCH. 40 PVC pipe is used for the discharge and runs horizontally for 1'; then turns 90° and rises 5' vertical. Then it travels horizontal with another 90° turn (3 turns in total) and connects with the soil-stack. See illustration below.

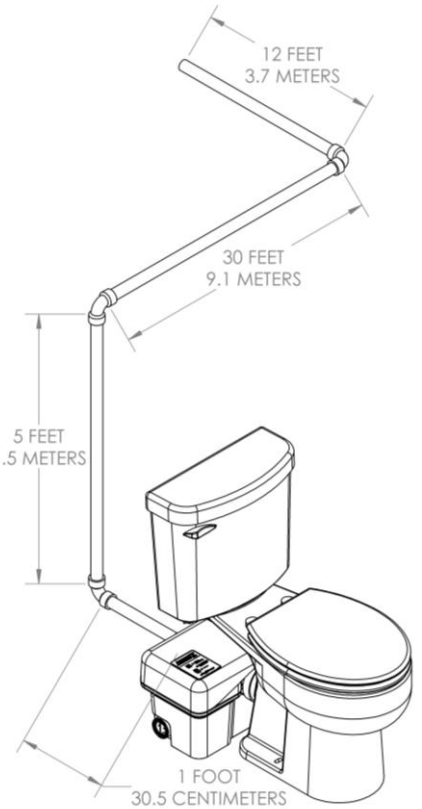
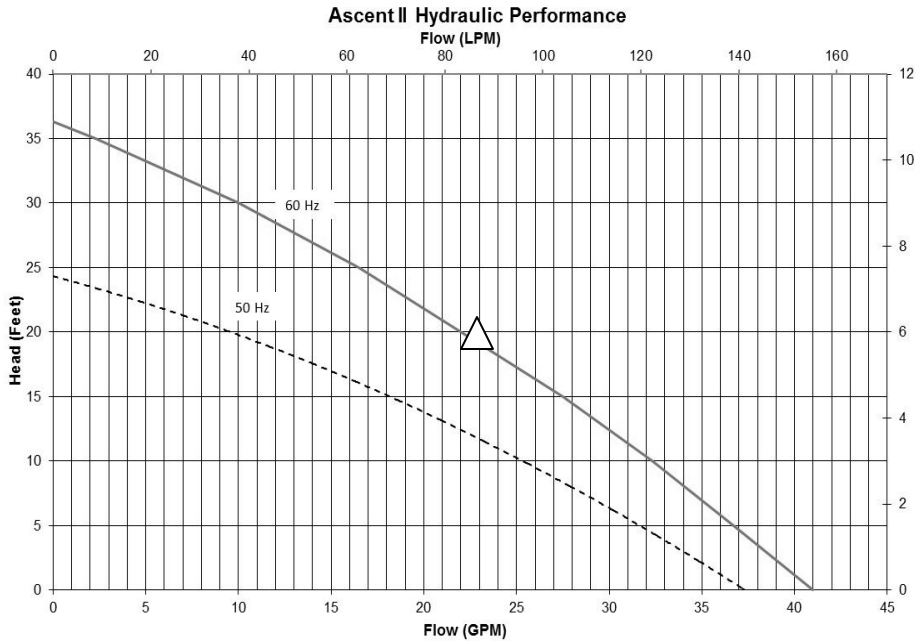
Calculations:

Total vertical lift 5' → 5' vertical

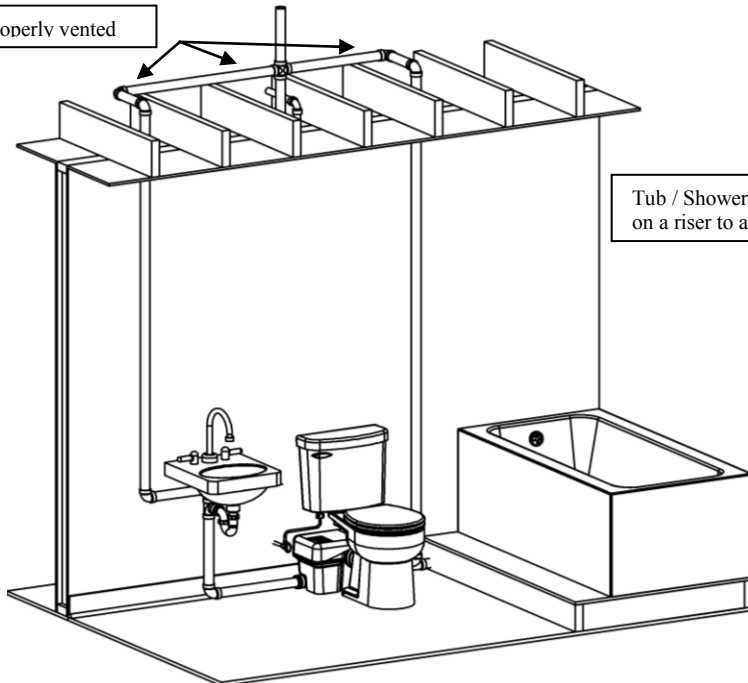
Total Horizontal run 43' → 4.3' vertical

Total of three 90° elbows → 9' vertical

Now add the three together we get 18.3' of vertical lift. Reading the performance curve below indicates the application would result in a flow rate of 23 gal/min(60Hz).



All fixtures must be properly vented



Tub / Shower should be installed on a riser to accommodate the P trap

### 3-6 CONNECTION TO ELECTRICAL SUPPLY

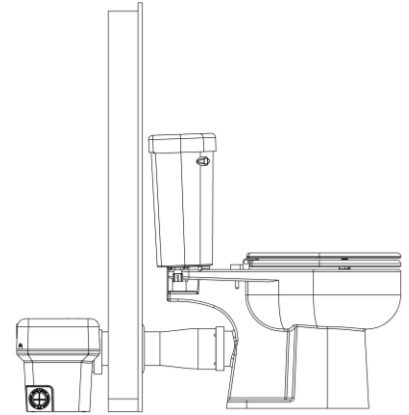
- 3-6-1** All wiring should be done in accordance with the applicable electrical codes. The macerating system requires a properly sized single-phase GFCI (ground fault circuit interrupter) type receptacle. Receptacle should be installed in accordance with local and state electrical codes. It is recommended that the receptacle be 40 inches away (in a straight line) from a shower or bathtub. If installation is performed in a basement, the receptacle should be 48 inches from the floor.
- 3-6-2** If the electrical power receptacle (outlet) is in close proximity to the macerator, the "extra power cord" can be coiled and tucked away in a large depression designed into the access cover that is located under the right decorative cover.



**Risk of electric shock. This pump is supplied with a grounding-type attachment plug. To reduce the risk of electric shock, be certain that it is connected to a properly grounded, grounding-type receptacle.**

### 3-7 EXTENSION PIPE

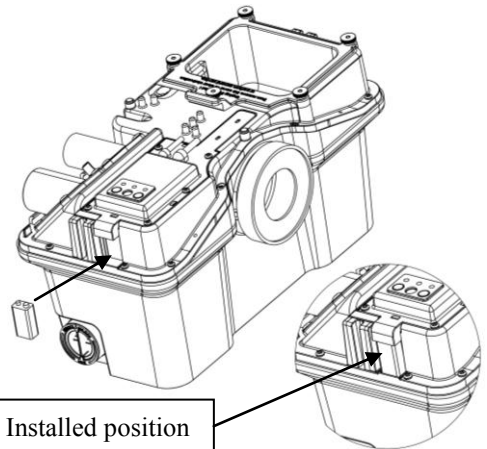
- 3-7-1** To install the macerator behind a wall, a Liberty extension pipe kit # K001184 (sold separately) will be needed. Included in the kit are an 18.75" long extension pipe, a decorative trim ring, and a grease packet. Rubber rings seal both ends of the extension pipe. **To prevent tearing, always grease both seals prior to installing the pipe.** Slip the decorative trim ring onto the pipe. To install the pipe, no fasteners are required, slip the extension pipe over the toilet's discharge, and then insert the pipe into the macerator. To finish the installation, fasten the toilet to the floor and secure the macerator discharge and vent piping. For proper flushing performance, ensure that the base of the toilet is not below the base of the macerator. Check the extension pipe with a level, and verify that the pipe is either level or sloped towards the macerator unit and away from the toilet.



- 3-7-2** Liberty recommends only one extension pipe be used.

### 3-8 INSTALLATION TIPS

- 3-8-1 PIPE SUPPORTS:** All sanitary pipe work must be supported in accordance with the pipe manufacturer's recommendations. Avoid dipping or trapping, which may cause the buildup of residual "solids" and subsequent blockage.
- 3-8-2 BENDS:** Wherever possible, long sweeping bends should be used. Do not use short elbows. If sweeping 90° elbows are not available, use two 45° elbows to make a 90° turn.
- 3-8-3 VERTICAL PIPING FIRST:** If vertical lift is required, this must precede the horizontal pipe run.
- 3-8-4 BATTERY:** Battery must be installed **AFTER** the macerator is connected to the AC power supply. Failure to follow this procedure could result in the unit not functioning properly.
- 3-8-5 DIRECTLY VERTICAL:** All vertical lifts should rise as close to the macerator as possible, allowing only for the need to clear the toilet tank; the initial horizontal run should not exceed 12".
- 3-8-6 NO DIAGONAL "UPHILL" PIPE RUNS:** All discharge piping from the unit should run either directly vertical or in a horizontal plane (with a minimum 1/4" per foot drop) to the point of discharge. Pipe work must not be installed with a diagonal upward slope from the unit to the point of discharge.
- 3-8-7 EASY ACCESS:** The unit should be accessible and removable in the event of maintenance being required. During the installation, a full-port ball valve should be installed near the discharge flange to allow easy service of the unit.
- 3-8-8 GRAVITY FALL:** The unit accepts wastewater by gravity; it does not "vacuum" in water. All inlet pipe work must have a positive gravity fall (1/4" per foot minimum). All horizontal piping from the macerator must also have a 1/4" per foot drop to allow free drainage when the pump stops.
- 3-8-9 SOIL STACK CONNECTION:** All discharge pipe work must be connected to the soil stack by an appropriate and approved connection like a "tee" or "y" fitting.
- 3-8-10 PIPE WORK:** All pipe work should be copper, PVC, or CPVC. Do not use flexible piping. Hangers should not be less than 4 feet apart to prevent pipe rattling.
- 3-8-11 FLUSHING:** Macerator is designed to work with a low flow toilet (1.28 gallons per flush).
- 3-8-12 DISCHARGE:** Never discharge directly into an open drain, fixture, manhole or rainwater drainpipe. It is illegal, as it constitutes a health hazard. Direct connections into sanitary waste systems only shall be acceptable.
- 3-8-13 FREEZING:** Ensure all pipe work susceptible to freezing is adequately insulated or heated. In unheated buildings, the toilet, piping and macerating unit must be properly winterized. Use plumbers' anti-freeze or drain completely.
- 3-8-14 ELECTRICITY:** The macerating system must be connected to a Ground Fault Circuit Interrupter (GFCI). Before attempting any maintenance or servicing, the unit must be disconnected from the power source.
- 3-8-15 SHOWER:** The water height will be 4.5" in the Macerator tank before the unit starts pumping. The shower stall floor must be well above this level, Liberty recommends at least 6" - 8" to ensure proper shower drainage and prevent any backflow.





## 4. Operation

### 4-1 ACTIVATING THE UNIT

- 4-1-1 Ensure that the toilet / tank have been assembled per the instructions provided with the toilet tank.
- 4-1-2 Ensure any ball or gate valve in the discharge line is in the open (full flow) position.
- 4-1-3 Open the shut-off valve and let the toilet tank fill up. Look for leaks at connections and verify that the toilet fill valve float and the flush valve operate freely.
- 4-1-4 Ensure the macerating unit has both decorative covers installed and is plugged in with the power supply turned on. The green light should be illuminated. If the green light is blinking, check to confirm the decorative covers are properly seated.
- 4-1-5 Deposit a few sheets of toilet paper into the bowl and flush the toilet. There should be no paper remaining in the bowl after the flush. This should be repeated several times.
- 4-1-6 Either flushing the toilet or the height of water in the tank activates the Macerator's adaptive switch system. The unit will turn on shortly after the toilet is flushed or when a water depth of 4.5" is achieved. The duration of operation will differ depending upon the installation. Note, the Macerator may not run immediately upon sink usage.

### 4-2 CAUTIONARY NOTES

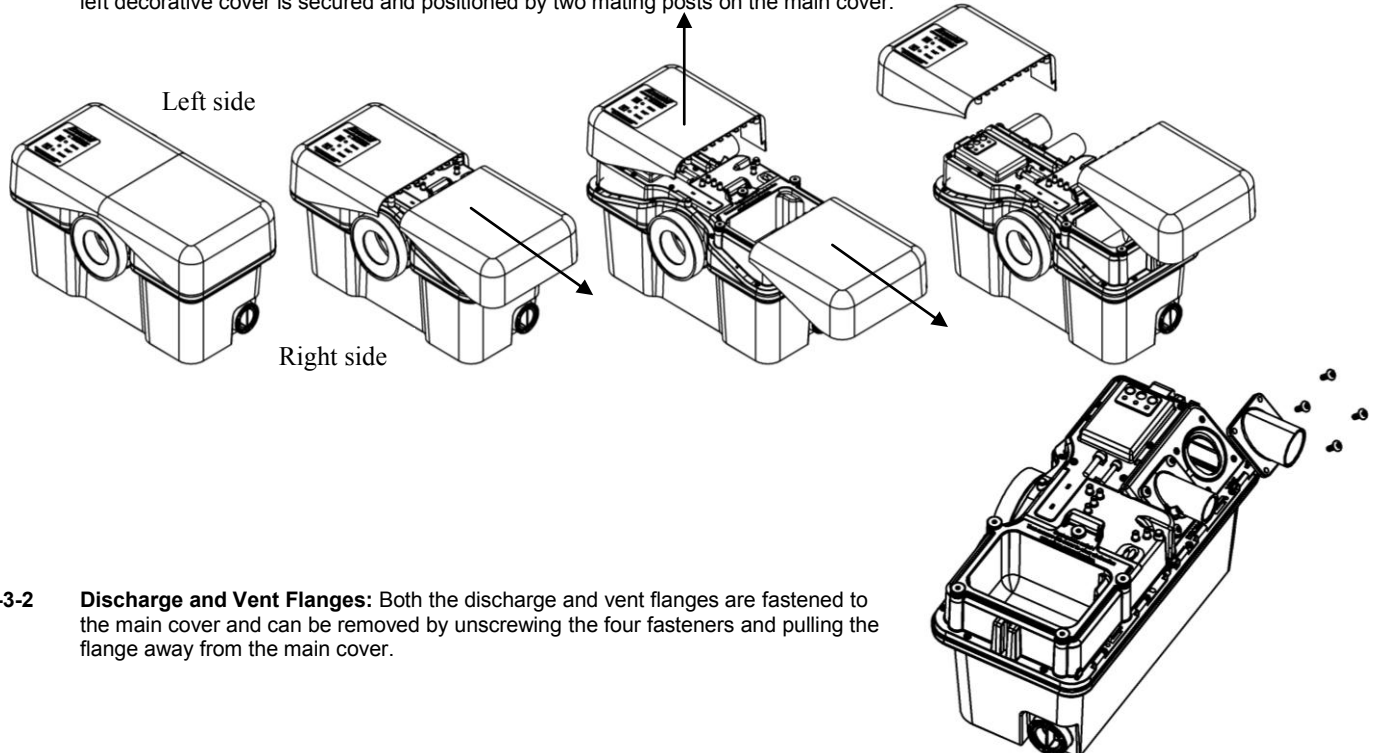
- 4-2-1 The macerating system is designed for human waste and toilet paper.
- 4-2-2 Do not dispose of acids, alkalis, solvents, oils, paint, paint strippers, food waste, and cotton swabs. Off-the-shelf toilet cleansers will normally not hurt the macerating unit. During cleaning or when using a plunger the macerator could turn on.
- 4-2-3 Do not hang bleach blocks or hypochlorite cleaners in the toilet tank. These solutions have been shown to deteriorate the plastic and neoprene components of the flush and fill valves, and may cause leaks.
- 4-2-4 In the event of a power loss, the toilet can be used twice. Use of sanitary fixtures like a sink should be limited. Do not use shower or tub as the macerating unit will fail to pump until the power is restored.

### 4-3 MAINTENANCE

The macerator is designed such that every component can easily be serviced or replaced if required.

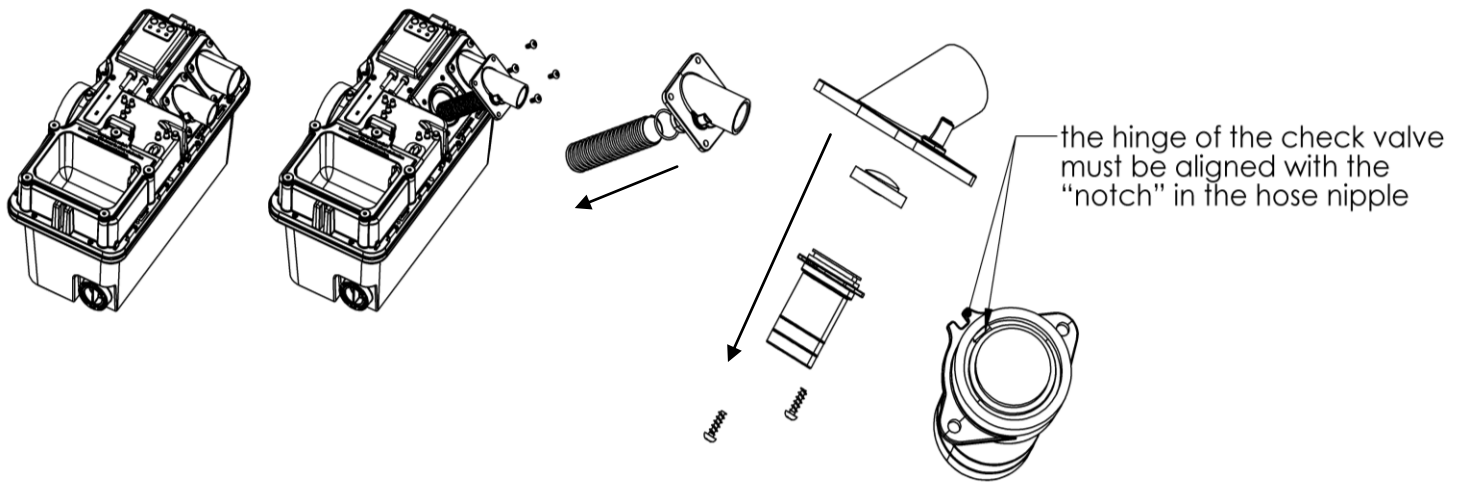
**⚠ WARNING** Risk of electric shock, always disconnect the macerator from the power source before handling or making adjustments. Health hazard: sharp blades within unit, wear rubber gloves.

- 4-3-1 **Decorative covers:** Both the right and left decorative covers sit on the product and are retained with some simple clips and posts. The right side can be removed by pulling it horizontally away from the macerator and then lifting vertically. The left decorative cover is secured and positioned by two mating posts on the main cover.

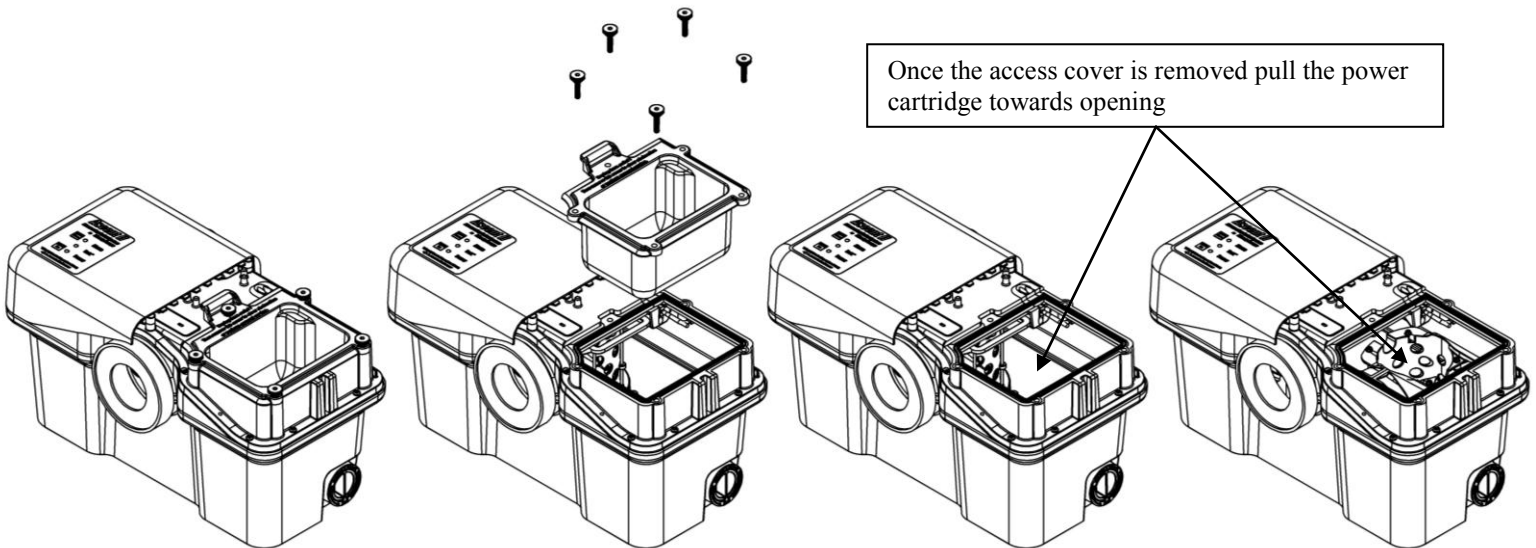


- 4-3-2 **Discharge and Vent Flanges:** Both the discharge and vent flanges are fastened to the main cover and can be removed by unscrewing the four fasteners and pulling the flange away from the main cover.

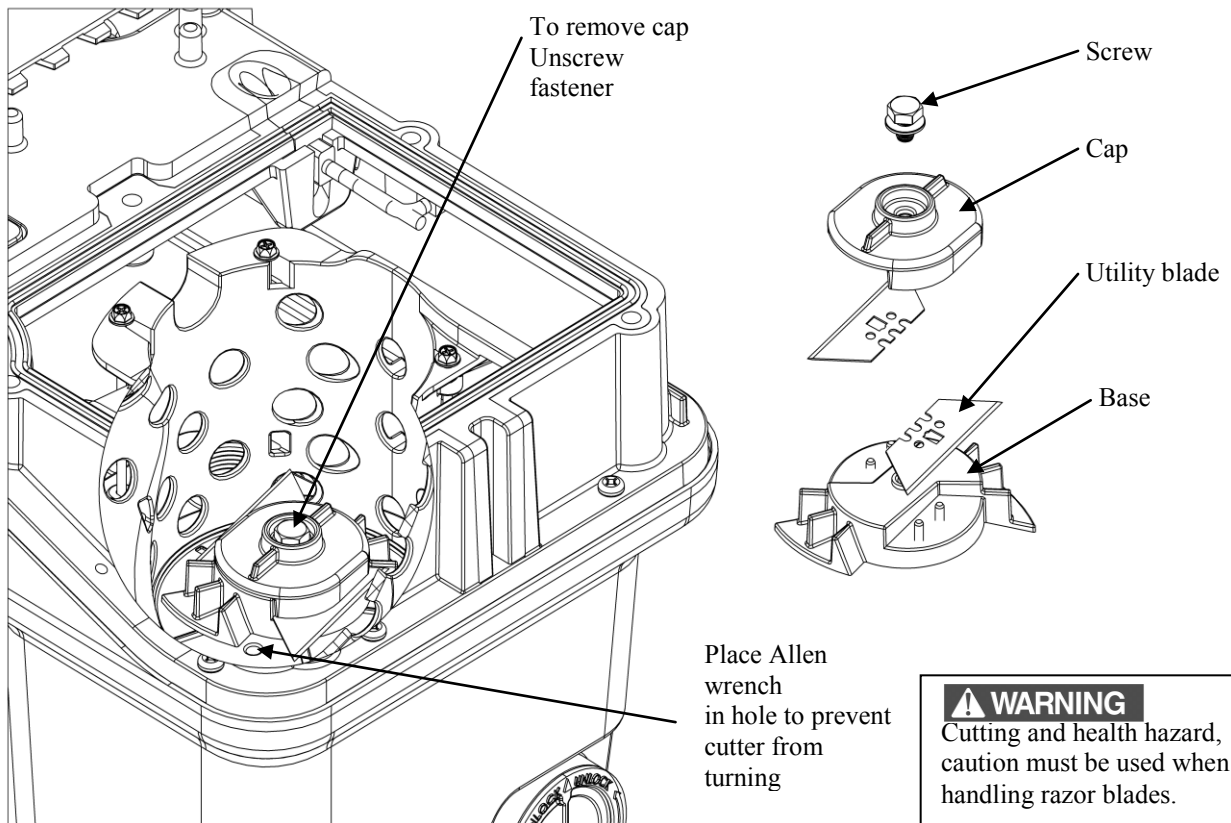
- 4-3-3 Check Valve:** The discharge flange has an integrated check valve. The valve is held in place by a support backing plate that is also connected to the discharge hose. To access the check valve, first remove the discharge flange from the main cover by removing 4 screws. Then, remove the hose followed by the two screws. The hose nipple can then be separated from the flange by pulling it outward. The check valve snaps onto the hose nipple. When reinstalling, the hinge of the check valve must be aligned with the "notch" in the hose nipple. After installation of the hose nipple, confirm the check valve opens completely.



- 4-3-4 Access cover:** The access cover is secured to the main cover with five fasteners. If required, use the 3/16 Allen wrench supplied to loosen the fasteners. Once the screws have been removed, the access cover can be lifted upward. Some manipulation might be necessary if the Macerator is located directly under the toilet's reservoir tank.



- Once the access cover is removed, the power cartridge can be slid towards the opening by grasping the handle of the basket and pulling to the right towards the opening. In some instances, debris might be caught between the tank and the basket so some manipulation might be required.
- With the power cartridge fully slid over, the cutters should be in view at the center of the basket. Any obstruction or object can be removed at this point. The cutters are very sharp and extreme caution should be used.
- To replace the cutters the 3/16 Allen wrench (supplied) should be inserted into one of the holes located on the basket floor. This will create a wedge preventing the blade assembly from turning. The locking fastener can be unscrewed with the use of a 7/16" socket (1/4" drive). Once loose, the screw and cap can be removed by pulling upward which exposes the two razor blades. Liberty Pumps recommends stainless steel blades, although any common utility knife style razor blade with two holes can be used as a replacement. When replacing the razor blades simply insert the blade onto the two pins. The cap and screw should then be replaced.
- The base of the cutting cartridge can be replaced as well. After removing the razor blades a thin slotted screwdriver can be inserted into the center hole and once engaged the base can be rotated counterclockwise until it is free.



#### 4-3-5 Accessibility to Motorized cartridge:

The motorized cartridge can be accessed through the access opening or removal of the main cover.

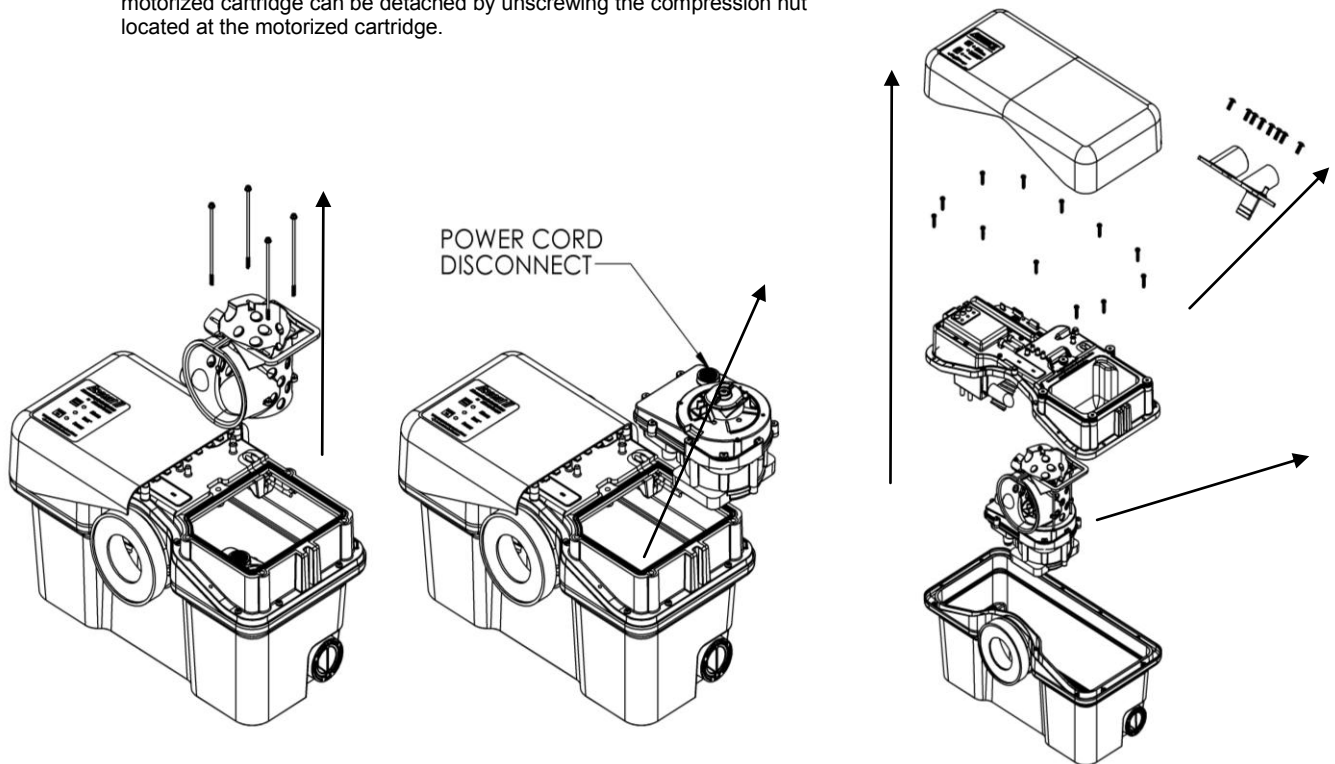
- 1) Removal of power cartridge through the access opening:

Once the access cover has been removed and the basket is slid towards the opening, the four fasteners securing the basket can be unscrewed. The basket can then be removed through the opening followed by the power cartridge.

- 2) Removal of power cartridge by disassembly of macerator:

If a ball valve was installed in the discharge line, it should be closed to eliminate the possibility of waste discharging from the discharge pipe. Next, the discharge and vent flanges should be separated from the main cover by removing 4 screws from each. The main cover can then be detached from the tank by removing the fasteners on the periphery of the tank. The main cover can then be lifted upward exposing the power cartridge.

The inner connecting power cord running from the switch box to the motorized cartridge can be detached by unscrewing the compression nut located at the motorized cartridge.



**4-3-6 Removal of blockage from impeller / impeller replacement:**

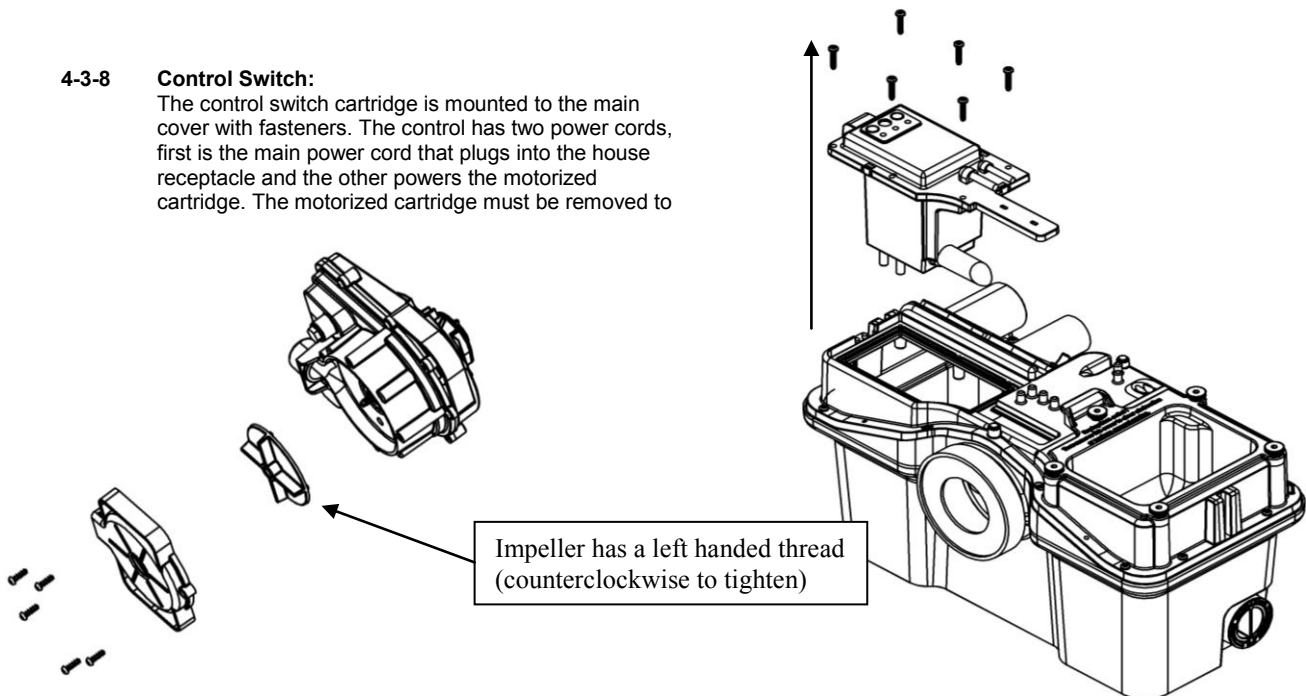
Once the bottom of the motorized cartridge is accessible, the fasteners retaining the volute can be removed and the volute separated by pulling it away. The impeller chamber can now be cleaned if required, or the impeller can be replaced. NOTE: the impeller has a left-handed thread. To remove, use a slotted screwdriver to hold the shaft and turn the impeller clockwise.

**4-3-7 Interconnect hose:**

A hose connects the discharge of the motor cartridge (pump) to the discharge flange. To remove this hose, follow the procedure to remove the discharge flange and motorized cartridge. Both ends of the hose are secured with clamps.

**4-3-8 Control Switch:**

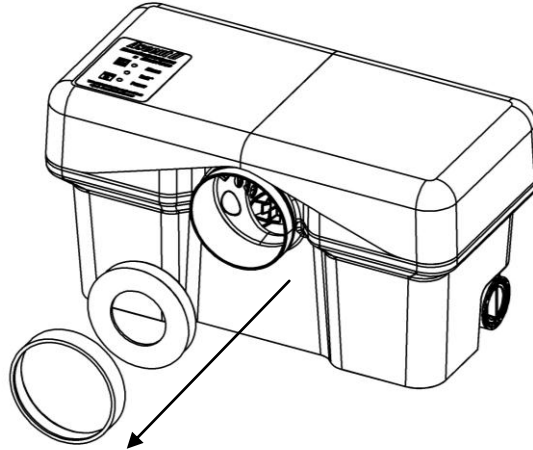
The control switch cartridge is mounted to the main cover with fasteners. The control has two power cords, first is the main power cord that plugs into the house receptacle and the other powers the motorized cartridge. The motorized cartridge must be removed to



disconnect this cord. See instructions under the heading “Accessibility to Motorized cartridge 4-3-5” for details.

**4-3-9 Toilet sealing ring:**

The seal between the toilet and the macerator consists of a rubber ring connected to the macerator to which the toilet slides into. The rubber ring stretches and forms a seal around the discharge hub of the toilet. This rubber ring is replaceable by unclipping the plastic retainer and then pulling the ring outward. Installation is reverse, first slide the rubber ring onto the macerator followed by the retaining ring.



## 5. Troubleshooting

### 5-1 BEFORE REFERRING TO TROUBLESHOOTING CHART

- 5-1-1 Check plumbing system. Flush toilet and ensure water supply is turned on.
- 5-1-2 Check electrical system. Ensure breaker and receptacle GFCI are on. Check condition of circuit breaker or fuse. Ensure plug is not loose. If the pumping unit's thermal overload has activated, it will take about 20 minutes to reactivate.
- 5-1-3 Ensure decorative covers are installed and fully seated such that safety switch is activated. The green light should be solid green if safety switch is properly activated.
- 5-1-4 Check the hydraulic system. Check that the discharge pipe and vent pipe are not blocked.
- 5-1-5 If the macerating pump turns on intermittently without flushing the toilet or collecting water drainage from sink, shower, or tub, check for leakage from the toilet tank flush valve.

5-2 TROUBLESHOOTING CHART

**⚠ WARNING** RISK OF ELECTRIC SHOCK. ALWAYS DISCONNECT THE POWER SUPPLY BEFORE PERFORMING ANY SERVICE TO THE MACERATING TANK.

PROBLEM	CAUSE	REMEDY
<p><b>Toilet flushes normally but evacuates or drains from the bowl slowly</b></p> <ul style="list-style-type: none"> <li>■ macerator sounds normal and runs for 4 seconds, then after some time runs for 4 seconds.</li> <li>■ NO alarm</li> </ul>	<p><b>Water is entering the macerator's holding tank slowly.</b></p>	
	<p>The toilet or discharge extension might be blocked.</p>	<p>The piping must be cleaned.</p>
	<p>Poor vent</p>	<p>Unit must be vented properly to open air to allow water to enter the macerator tank. Confirm vent is clear. <b>DO NOT USE A QUICK VENT</b></p>
	<p>Accumulation in the strainer basket</p>	<p>Repetitively flush clean water and allow the macerator to clear debris. If unit is unable to self-cure the blockage, the access cover should be removed for manual cleaning. <b>See Section 4.</b></p>
<p><b>Toilet flushes normally but does not evacuate or drain from the bowl.</b></p> <ul style="list-style-type: none"> <li>■ macerator sounds normal and runs for 4 seconds then remains off</li> <li>■ NO alarm</li> </ul>	<p><b>Water is unable to enter the macerator's holding tank</b></p>	
	<p>The toilet discharge or extension pipe may be blocked.</p>	<p>The piping must be cleaned.</p>
	<p>Unit is not vented correctly</p>	<p>Unit must be vented properly to open air to allow water to enter the macerator tank. Confirm vent is clear. <b>DO NOT USE A QUICK VENT</b></p>

<p><b>Toilet flushes normally but does not evacuate or drain from the bowl.</b></p> <ul style="list-style-type: none"> <li>■ <b>Macerator starts to run and sounds normal (running) then stops after 5-10 min. Restarts after 30 to 60 min.</b></li> <li>■ <b>Alarm is activated</b></li> </ul>	<p><b>The macerator is unable to evacuate its holding tank and is cycling on thermal overload</b></p>	
	<p>Damaged Impeller</p>	<p>Replace impeller</p>
	<p>Check valve stuck closed</p>	<p>Confirm the check valve is functioning properly; if not it must be repaired or replaced.</p>
	<p>Internal hose is damaged or disconnected</p>	<p>Confirm the internal hose is functioning properly; if not it must be replaced.</p>
	<p>If the macerator was installed with a ball valve in the discharge line, is the valve open?</p>	<p>Open ball valve</p>
	<p>Air lock</p>	<p>The volute has a passage way to allow trapped air to escape, this passage way must be cleaned of obstruction</p>
	<p>Volute inlet plugged</p>	<p>The volute's inlet, located on the bottom of the pump cartridge, requires cleaning.</p>
<p><b>Toilet Flushes normally but macerator does not turn on or just hums</b></p> <ul style="list-style-type: none"> <li>■ <b>Green light is on steady (solid)</b></li> </ul>	<p><b>The macerator is jammed</b></p>	
	<p>The cutter or impeller are jammed preventing the motor from turning</p>	<p>Clear the cutter or impeller of blockage</p>
	<p>Internal motor problem</p>	<p>The pump cartridge must be replaced</p>
<p><b>Waste build up in the toilet bowl</b></p>	<p><b>The toilet has an inadequate flush volume, possible blockage of the strainer basket, or improper venting.</b></p>	
	<p>Inadequate water level in the reservoir tank</p>	<p>Check and / or adjust the water fill mechanism so that the water level matches the reference line in the tank</p>
	<p>Strainer basket requires cleaning</p>	<p>Clear debris from the strainer basket</p>
	<p>Unit is not vented correctly</p>	<p>Unit must be vented properly to open air to allow water to enter the macerator tank. Confirm vent is clear. <b>DO NOT USE A QUICK VENT</b></p>

<b>The Macerator does not start up</b> <b>■ Green light is off</b>	<b>No electrical power</b>	
	The macerator is either not plugged in, supply breaker is turned off, or GFCI receptacle has tripped.	Check electrical power source
<b>The Macerator has no lights when power is connected</b> <b>■ All lights on user interface panel are not lit</b>	<b>No electrical power or battery protection mode</b>	
	The macerator is either not plugged in, supply breaker is turned off, or GFCI receptacle has tripped.	Check electrical power source
	Control system is in battery protection mode.	<ol style="list-style-type: none"> <li>1. Unplug macerator from receptacle</li> <li>2. Remove the 9V battery that powers the alarm</li> <li>3. Plug the macerator back into the receptacle</li> <li>4. Re-install the 9V battery</li> </ol>
<b>The Macerator does not start up</b> <b>■ Green light is flashing</b>	<b>The Macerator has electrical power, safety switch is off.</b>	
	The decorative cover is not installed	Both halves of the decorative cover must be installed and fitted properly on the unit.
	The right decorative cover, the one over the access cover should have a magnet located on a post. This magnet activates a safety switch	Replace magnet or entire right decorative cover
<b>The macerator pulses for no apparent reason</b>	<b>General plumbing</b>	
	Water leakage from the toilet's reservoir	Check flush valve and related components in the reservoir tank
	Check valve failure of the Macerator	The discharge flange contains the check valve which either requires cleaning or replacement
<b>During a pumping cycle a rattling noise is emanating from the Macerator</b>	<b>Solid debris in basket</b>	
	Solid object larger than ½" is trapped in the cutting basket of the Macerator	The access cover should be removed for manual cleaning. See section 4
<b>Alarm sounds frequently</b>	<b>Pump is unable to evacuate tank</b>	
	Damaged Impeller	Replace impeller
	Volute inlet clogged	Clean volute's inlet
	Internal hose is damaged	Confirm the internal hose is functioning properly; if not it must be replaced.



	Air lock	The volute has a passage-way to allow trapped air to escape. This passage-way must be cleaned of obstruction
	Application	The pumping capacity has been exceeded by the rate of incoming water. Either reduce flow coming into the macerator or reduce the pumping head.
<b>Water backs up into shower tray</b> ■ Alarm is not activated	<b>General plumbing</b>	
	Blockage or inadequate slope of pipe	Clear blockage in piping, or increase pitch of discharge pipe. Typically ¼” drop per foot is adequate for a gravity drain.
	The inlet flappers of the Macerator are not functioning	Clear any buildup in the Macerator holding tank that is preventing the flappers from opening
<b>Water backs up into shower tray</b> ■ Alarm is activated	<b>General plumbing or system is backing up</b>	
	Damaged Impeller	Replace impeller
	Volute inlet clogged	Clean volute's inlet
	Internal hose is damaged	Confirm the internal hose is functioning properly; if not it must be replaced.
	Air lock	The volute has a passage way to allow trapped air to escape, this passage way must be cleaned of obstruction
	Incoming flow rate is greater than pump capacity	The unit is capable of handling up to two shower heads – multiple (3 and up) shower heads should be avoided.
	Check valve failure of the Macerator	The discharge flange contains the check valve which either requires cleaning or replacement
<b>During the draining of the bathtub the alarm sounds and / or water backs up into the toilet</b>	<b>General plumbing</b>	
	The inflow is greater than the macerator can handle	A ball valve should be installed between the tub and macerator – throttle down or partially close the ball valve until the macerator can handle the drainage rate from the tub.
<b>Macerator is noisy when running</b>	<b>General plumbing</b>	
	Rattling piping	Both the discharge and vent plumbing should be secured using the appropriate pipe clamp.
	Foreign object in cutter basket	The access cover should be removed for manual cleaning see section 4

## 7. 3 Year Limited Warranty

**\*NOTE:** Liberty Pumps, Inc. assumes no responsibility for damage or injury due to disassembly in the field. Disassembly, other than at Liberty Pumps or its authorized service centers, automatically voids warranty.

Liberty Pumps, Inc. warrants that pumps of its manufacture are free from all factory defects in material and workmanship for a period of 3 years from the date of purchase. The date of purchase shall be determined by a dated sales receipt noting the model and serial number of the pump. The dated sales receipt must accompany the returned pump if the date of return is more than 3 years from the "CODE" (date of manufacture) number noted on the pump nameplate.

The manufacturer's obligation under this Warranty shall be limited to the repair or replacement of any parts found by the manufacturer to be defective, provided the part or assembly is returned freight prepaid to the manufacturer or its authorized service center, and provided that none of the following warranty-voiding characteristics are evident.

The manufacturer shall not be liable under this Warranty if the product has not been properly installed; if it has been disassembled, modified, abused or tampered with; if the electrical cord has been cut, damaged or spliced; if the pump discharge has been reduced in size; if the pump has been used in water temperatures above the advertised rating, or water containing sand, lime, cement, gravel or other abrasives; if the product has been used to pump chemicals or hydrocarbons; if a non-submersible motor has been subjected to excessive moisture; or if the label bearing the serial, model and code number has been removed. Liberty Pumps, Inc. shall not be liable for any loss, damage or expenses resulting from installation or use of its products, or for consequential damages, including costs of removal, reinstallation or transportation.

There is no other express warranty. All implied warranties, including those of merchantability and fitness for a particular purpose, are limited to three years from the date of purchase.

This Warranty contains the exclusive remedy of the purchaser, and, where permitted, liability for consequential or incidental damages under any and all warranties are excluded.



7000 Apple Tree Avenue  
Bergen, NY 14416  
Phone: (800) 543-2550  
Fax: (585) 494-1839  
[www.libertypumps.com](http://www.libertypumps.com)

# Ascent™ II

Macerating Toilet System



### Modelos:

**Ascent II-ESW** Sistema completo: inodoro alargado

**Ascent II-RSW** Sistema completo: inodoro con porción delantera redonda

## Índice

- 1.) Información general
- 2.) Introducción
- 3.) Instalación
- 4.) Operación
- 5.) Mantenimiento
- 6.) Tabla de diagnóstico de problemas
- 7.) Garantía

**Instalador: Por favor, deje este manual con el dueño para referencia futura.**

Antes de instalar la bomba, apunte el modelo, el número de serie y el código que aparecen en la placa de identificación de la bomba para que le sirvan de referencia en el futuro.

MODELO: \_\_\_\_\_

NÚM. SERIE: \_\_\_\_\_

FECHA DE INSTALACIÓN: \_\_\_\_\_

7000 Apple Tree Avenue  
Bergen, NY 14416  
Teléfono: (800) 543-2550  
Fax: (585) 494-1839  
www.libertypumps.com



Macerador adaptado al código UPC, expediente 5771;  
Inodoro adaptado al código UPC, expediente 8056;  
El inodoro cumple con los Criterios WaterSense de la EPA

ASME A112.3.4  
CSA B45.9

[Las certificaciones se aplican únicamente a los modelos de 115 V]

# 1. Información general

Lea con atención estas instrucciones antes de instalar la unidad. Todas las bombas de Liberty se someten individualmente a pruebas en fábrica para garantizar un funcionamiento adecuado. Siga estas instrucciones al pie de la letra para prevenir problemas de funcionamiento y asegurar años de servicio satisfactorio.

## ⚠ ADVERTENCIA

### Riesgo de explosión y/o riesgo a la salud durante su instalación o mantenimiento

- **Riesgo de descarga eléctrica.** Desconecte el macerador del suministro eléctrico siempre que vaya a manipularlo o a realizar algún ajuste.
- Estas bombas no se deberán instalar en un lugar clasificado como peligroso según el Código Eléctrico Nacional de Estados Unidos, ANSI/NFPA 70.
- Solo el personal calificado deberá encargarse de las conexiones y los cables eléctricos necesarios en la instalación de una bomba.
- Esta bomba se suministra con un enchufe con conexión a tierra. Conecte la bomba a un tomacorriente debidamente conectado a tierra para reducir el riesgo de descargas eléctricas.
- Este producto se debe conectar a un interruptor de circuito de fallas a tierra (GFCI) o a un disyuntor.
- No derive los cables de puesta a tierra ni retire las espigas a tierra de los enchufes.
- No use extensiones eléctricas.
- Se deberá instalar la unidad según las disposiciones del Código Eléctrico Nacional de Estados Unidos y todos los códigos y reglamentos locales que correspondan.
- El macerador dispone de una abertura amplia para aceptar el nodo de desagüe de un inodoro con salida en la parte posterior. NO coloque la mano ni ningún objeto en esta abertura aun si la unidad está desenchufada. El macerador contiene discos sumamente afilados en esta abertura.
- Las tapas decorativas se deben instalar para que funcione la unidad. Se ha agregado un dispositivo de protección en las tapas para evitar funcionamientos accidentales. La unidad puede ponerse en funcionamiento al conectarla a la corriente por primera vez.
- Riesgo de explosión durante la instalación. Los limpiadores, las pinturas base y los cementos de tubos de PVC pueden liberar vapores explosivos. Estos vapores más densos que el aire se pueden acumular en el tanque. El calor emitido por soldadores de cobre o por el proceso de soldar cobre u otros tubos de metal puede incendiar estos vapores y causar una explosión violenta. Si la unidad se va a conectar a un desagüe de cobre o a una tubería de ventilación, todas las conexiones de los tubos de PVC unidas por solvente se deben curar durante un mínimo de 24 horas. La tapa de acceso se debe extraer para permitir que el macerador se ventile debidamente antes de soldar tubería de cobre cerca de la unidad.

## ⚠ PRECAUCIÓN

- No use el macerador con agua a temperatura superior a los 40 °C (104 °F).
- No levante el macerador jalando del cable eléctrico.
- **No utilice una válvula de admisión de aire o un equipo de ventilación mecánica de resorte.**

### 1-1 INSPECCIÓN INICIAL.

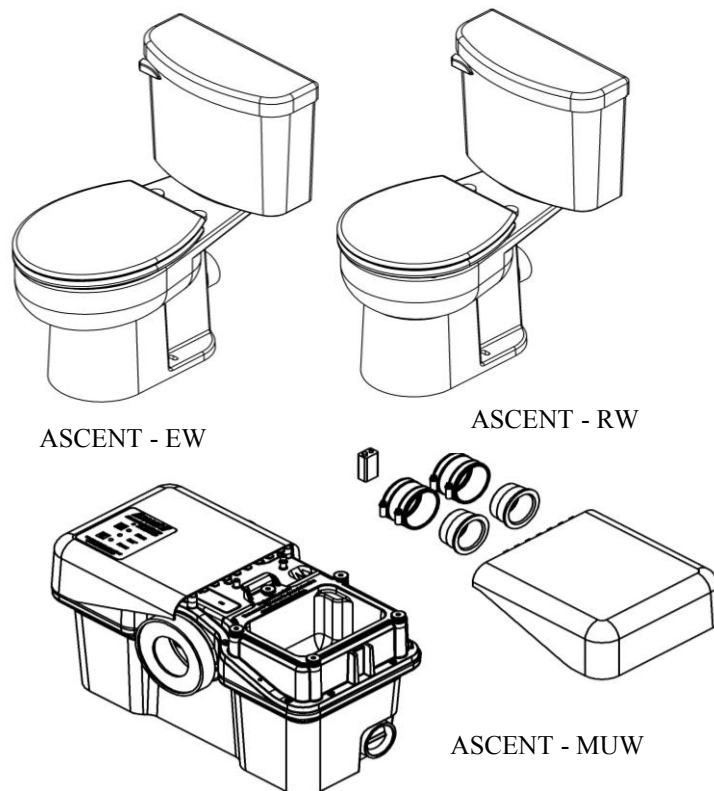
La unidad Ascent II se envía en tres (3) paquetes separados: el tanque del inodoro (modelo: Ascent II - TW), la taza del inodoro (modelo: Ascent II - RW o EW) y el macerador (modelo: Ascent II - MUW). Inspeccione inmediatamente las cajas enviadas para comprobar si se ha producido algún daño durante el transporte. Tenga cuidado al abrirlas para no dañar el contenido. Saque todo el embalaje de protección del interior de las cajas.

Revise bien este embalaje antes de desecharlo para asegurarse de que no haya ninguna pieza de repuesto en él. Haga una inspección visual del macerador y de las piezas de repuesto en busca de daños. Compruebe que no haya ningún cable dañado, especialmente a la salida del tanque macerador. Informe cualquier daño o si falta alguna pieza a Liberty Pumps, llamando al 1-800 543-2550.

Lista de piezas incluidas:

Taza del inodoro  
Tanque del inodoro  
Macerador

Tanque macerador  
Acoplamientos de hule con abrazaderas  
Bujes reductores  
Batería de 9 voltios  
Llave Allen de 0.5 cm (3/16 pulgadas)  
Paquete de grasa



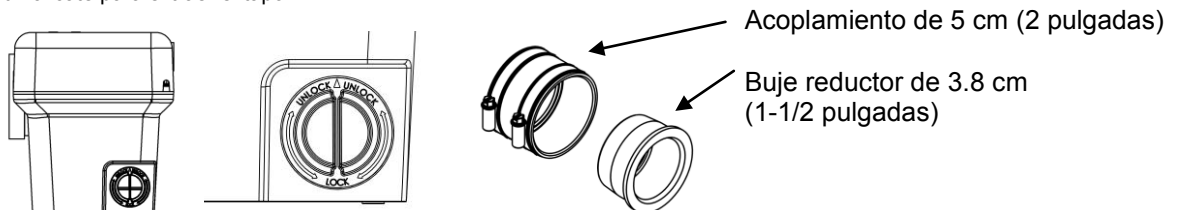
## 1-2 ALMACENAMIENTO ANTES DE USAR

Los productos Liberty vienen ya listos de fábrica para su instalación y uso. Si necesita almacenar la bomba, no la saque de la caja en que se transportó. Guárdela en un almacén u otra área limpia, seca y a temperatura estable. Cubra la bomba y su embalaje para protegerla del agua, la suciedad y el polvo.

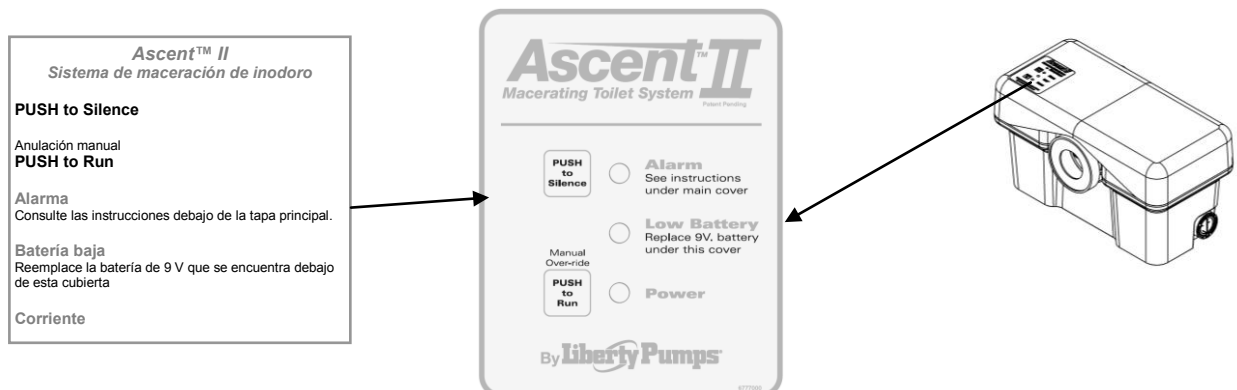
**IMPORTANTE:** después de instalarla, no permita que la bomba se congele. Si se permite que la vivienda quede a merced del frío durante los meses de invierno, asegúrese de evacuar el agua de la unidad del macerador y el inodoro antes de cerrar la vivienda. Se deben proteger los tanques contra el frío y llenarlos con líquido anticongelante para tuberías a fin de protegerlos de condiciones heladas. También se debe desconectar la batería.

## 2. Introducción

- 2-1 **SISTEMA DE MACERACIÓN:** el macerador se ha diseñado para aceptar aguas residuales de un inodoro con salida en la parte posterior, aunque también puede recibir aguas residuales simultáneamente de varias instalaciones residuales, como de un fregadero, una regadera, una tina o un mingitorio o urinal (una sola unidad de baño). Sin embargo, solamente se puede conectar un solo sanitario (inodoro) por cada unidad.
- 2-2 **USO:** los sistemas de maceración se han diseñado para eliminar desechos humanos, papel higiénico y agua. No se han diseñado para eliminar desechos de cocina ni se deben usar para desechar aguas residuales de electrodomésticos que utilizan bombas, como lavavajillas y lavadoras de ropa. Este producto no se ha diseñado para vaciar albercas ni "spas" grandes.
- 2-3 **INODORO:** el inodoro funciona como un inodoro de desagüe convencional y no necesita mantenimiento especial en condiciones de uso normal. Se pueden usar los mismos limpiadores convencionales que se usan con un inodoro convencional.
- 2-4 **DISPOSICIÓN DEL BAÑO:** las instalaciones sanitarias conectadas al macerador deben estar ubicadas al mismo nivel.
- 2-5 **TUBERÍA DE ADMISIÓN AUXILIAR:** el macerador está equipado con dos puertos de admisión, uno a cada lado. Estos puertos se han diseñado para tubos de PVC convencionales. El sistema contiene dos acoplamientos flexibles para PVC de 5 cm (2 pulgadas) y bujes reductores de 3.8 cm (1-1/2 pulgadas). Esta tubería de admisión, que incorpora una válvula de retención interna, se utiliza para conectar el tubo de drenaje de otras instalaciones sanitarias al macerador y la bomba. Generalmente, los desagües de 5 cm (2 pulgadas) se usan solo en regaderas. Tanto una tina, como una regadera y tina combinada y un fregadero usan tubería de drenaje de 3.8 cm (1-1/2 pulgadas). La tubería de admisión viene tapada de la fábrica. Si se va a usar el puerto, es necesario extraer el tapón. Para hacerlo, gire el tapón hasta que la rosca quede orientada verticalmente y después tire de él hacia afuera. Si la unidad ha estado almacenada por un tiempo, es posible que sea necesario usar un alicate para extraer el tapón.



- 2-6 **TINAS Y REGADERAS:** se puede usar cualquier tina o regadera regular de hasta 378 litros (100 galones). Al instalar estas unidades, se deberá construir una plataforma de 15 cm (6 pulgadas) de altura sobre la cual colocar la unidad. Esto ofrece suficiente espacio para colocar un colector de agua en forma de P con inclinación hacia las entradas de aguas residuales del macerador. Para la instalación de la regadera, los fabricantes a veces ofrecen bases elevadas prefabricadas. **NOTA:** la distancia real entre el colector de agua en P de la instalación adicional y el macerador determinará el espacio libre necesario para instalar dicho colector y la elevación requerida para asegurar una inclinación mínima de 0.6 cm por 30 cm (1/4 de pulgada por pie).
- 2-7 **OPERACIÓN:** el sistema de maceración arranca automáticamente una vez que se jala de la cadena del inodoro o entra líquido de otras instalaciones y se detiene automáticamente cuando se ha bombeado el contenido en su totalidad. El tiempo de funcionamiento varía según el caudal de entrada y de dónde proviene. Consulte la Sección 2-9 para obtener información sobre los ciclos normales de operación.
- 2-8 **INTERFAZ DEL USUARIO:** el macerador está equipado con una interfaz del usuario ("touchpad" con luces LED) en el lado superior izquierdo de la unidad. Esta etiqueta contiene tres luces LED. La luz VERDE identifica que la unidad está alimentada con corriente, la luz AMARILLA indica que hay que reemplazar la batería de 9 voltios y la luz ROJA indica una alarma. Si la unidad no puede evacuar el tanque de retención o no puede funcionar al ritmo del caudal de entrada, se activarán la luz roja y la alarma audible. La etiqueta tiene dos botones: uno para apagar la alarma audible ("Push to Silence") y otro para anular el interruptor interno y arrancar manualmente el macerador y la bomba ("Push to Run").



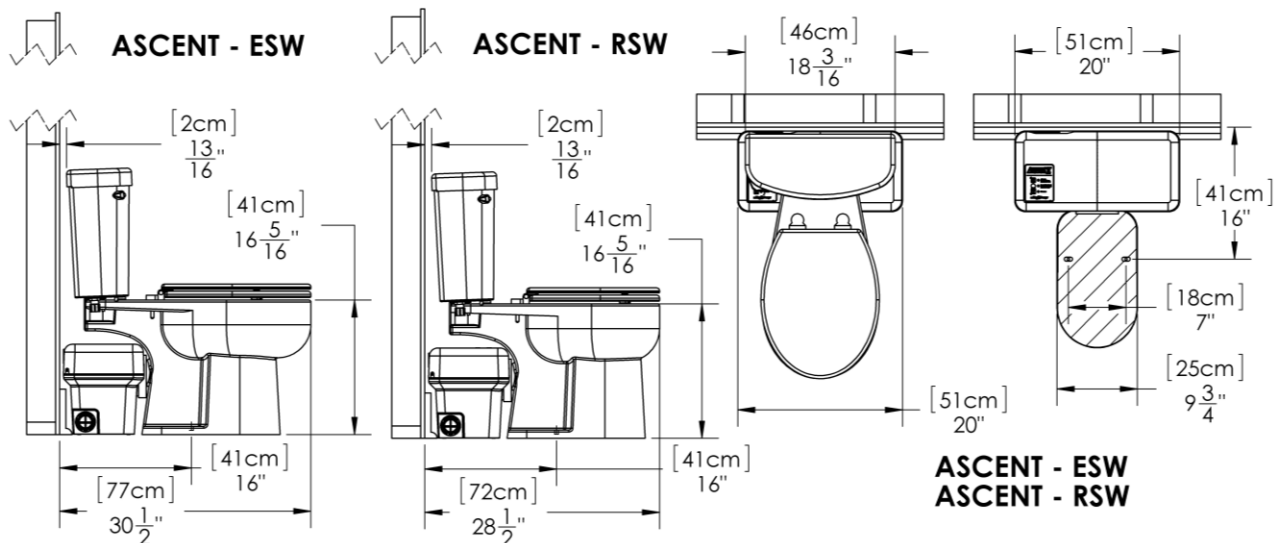
- 2-9 CICLO NORMAL DE OPERACIÓN:** el interruptor IST del macerador puede distinguir entre modos distintos de operación y permite optimizar el tiempo de funcionamiento conforme a ello. El modo de detección de funcionamiento avanzado energizará los discos cuando la unidad detecta que se ha jalado la cadena. Al hacerlo, los discos girarán a la velocidad máxima (rpm) antes de que el líquido y los residuos lleguen al sistema de discos. La unidad pulsará cuando se usa la regadera o se drena la tina debido a que el macerador puede bombear a un ritmo más rápido que el del caudal de entrada.
- 2-10 ALARMA:** el macerador está equipado con una alarma integral que sonará si la unidad no puede eliminar líquido ni funcionar al ritmo de la entrada de agua. Si suena la alarma, pueden existir varias condiciones; consulte la guía de diagnóstico de problemas para determinar la causa y la solución. Un botón silenciador ubicado en el "touchpad" de la interfaz del usuario apagará la alarma audible. No obstante, la luz de la alarma seguirá iluminada. Deje de usar el producto hasta que se haya identificado y resuelto el problema. Si ocurre una interrupción eléctrica, la batería de 9 voltios alimentará la alarma. (Nota: en caso de que ocurra una interrupción eléctrica y si fuera necesario, el macerador aceptará dos descargas de líquido antes de activar la alarma. Después de eso no se debe usar la unidad de nuevo hasta que vuelva la luz). La alarma se reiniciará automáticamente cuando ocurra un ciclo normal. Si la luz amarilla está iluminada en el "touchpad" de luces LED, se debe reemplazar la batería de 9 voltios. Se espera que la vida útil de la batería suministrada sea de 5 a 7 años.
- 2-11 TAPA DE ACCESO:** el macerador tiene una tapa de acceso que se puede extraer para acceder a la bomba y al cartucho del macerador y eliminar residuos o hacer tareas de mantenimiento. Cuando se retira la tapa decorativa de la derecha y la de acceso, el cartucho se puede deslizar hacia la abertura para acceder al mecanismo de la cesta y a los discos. Las cuchillas o la base entera de discos se pueden reemplazar si fuera necesario. Consulte la sección de mantenimiento 4-3 de este manual para obtener instrucciones detalladas.

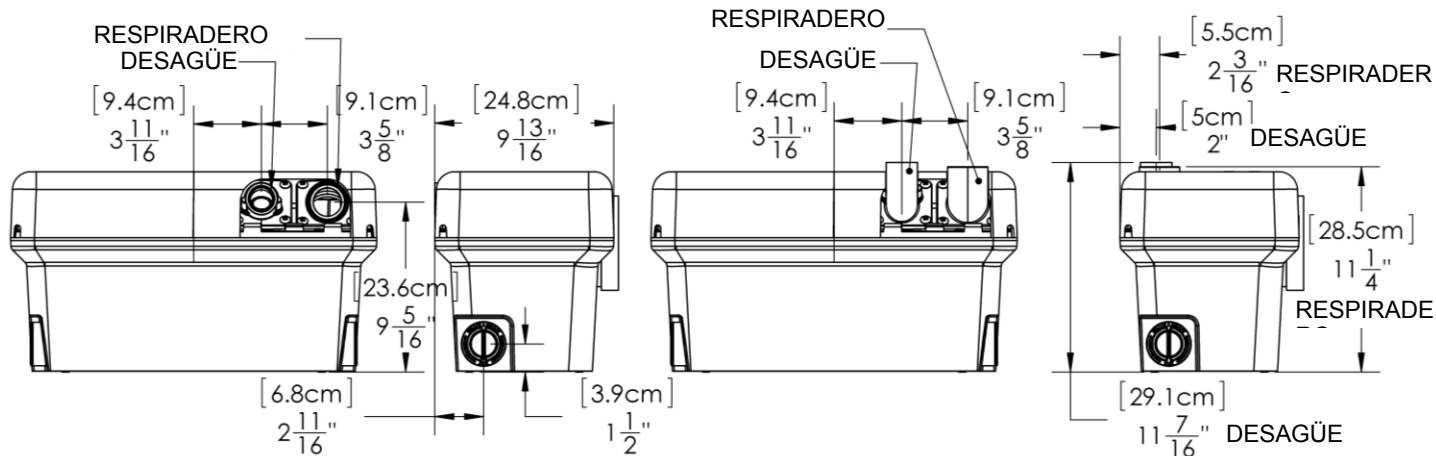
## 3. Instalación

- NOTA: todas las instalaciones se deberán hacer según los códigos federales, estatales y locales. Se recomienda que un instalador certificado o calificado se ocupe de llevar a cabo estas operaciones. No utilice una válvula de admisión de aire o un equipo de ventilación mecánica de resorte.**

### 3-1 Se debe configurar el diseño del baño antes de instalar la unidad.

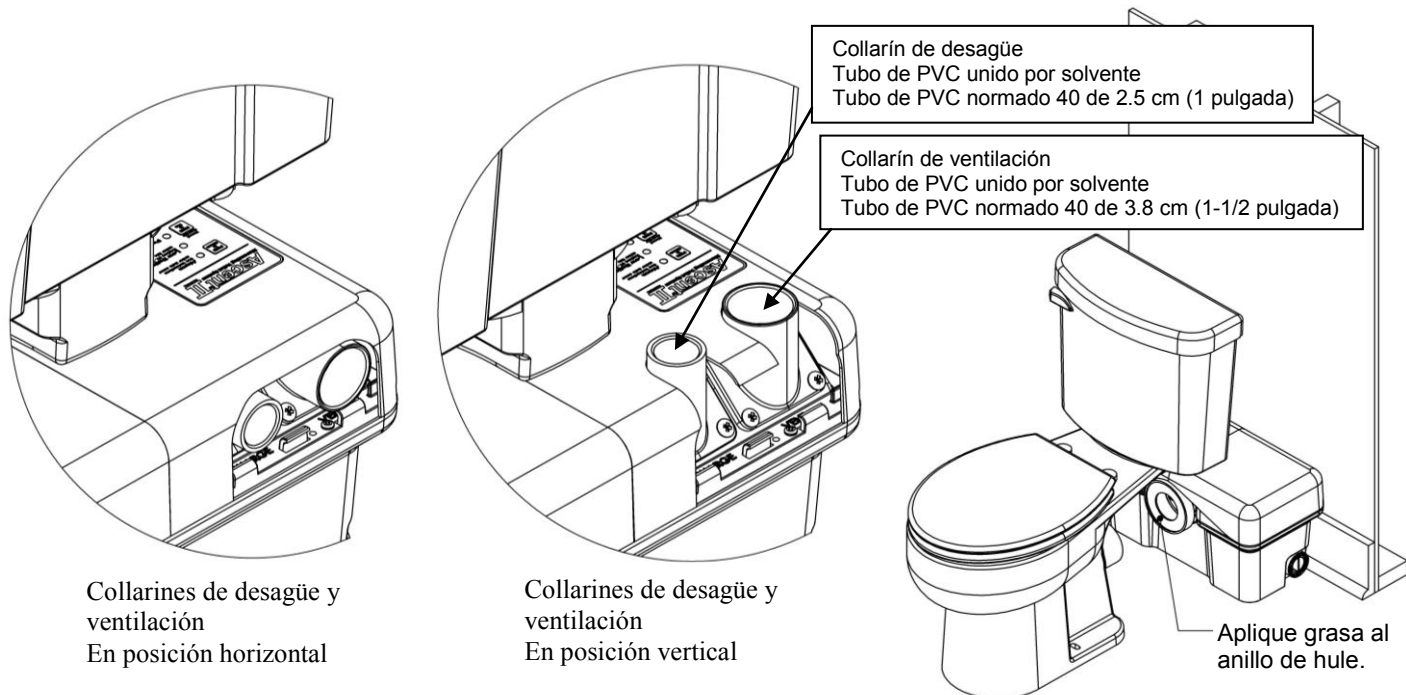
- Asegúrese de que el suministro eléctrico (interruptor GFCI) se encuentre dentro de la longitud del cable eléctrico de 2.4 m (8 pies). Es posible configurar el cable para que salga de la unidad por el lado izquierdo o el derecho. No use extensiones eléctricas. Si el cable sale por el lado izquierdo del macerador, es necesario retirar el collarín de ventilación para que el cable se pueda colocar entre los sujetadores de colocación. Vuelva a instalar el collarín de ventilación después de colocar debidamente el cable.
- Si es posible, el lado derecho del macerador debe permanecer libre de obstrucciones. Debajo de la tapa decorativa se encuentra una tapa de acceso que permite acceder a los discos. Si se atascara el sistema, se deberán retirar la tapa decorativa y la tapa de acceso del macerador. Es útil hacer esta tarea en un cuarto de trabajo.
- Los puertos de admisión auxiliares se encuentran a uno de los lados de la parte posterior del tanque macerador. Estos puertos pueden aceptar desechos de un fregadero o de una tina/regadera.
- Una pieza opcional de extensión de desagüe permite colocar el macerador detrás de una pared. Por ejemplo, se podría colocar el macerador en el suelo de un armario de ropa de cama o en una lavandería. NO coloque un marco alrededor de toda la unidad en una pared ya que es necesario mantener el acceso al macerador.
- El macerador está equipado con collarines Quickflip™ de desagüe y ventilación que se pueden orientar vertical u horizontalmente para adaptarlos a su instalación.
- La plomería de los fregaderos se debe acoplar a uno de los tubos de admisión auxiliares y no al tubo de desagüe del macerador aun si las elevaciones permiten tal instalación. El tubo de desagüe actúa a presión y el sistema de tubería debe adaptarse a ello.
- La tubería de abastecimiento de agua del tanque del inodoro se encuentra en el lado izquierdo. Durante la preparación del terreno, debe calcular el espacio para el macerador.
- Se deben diseñar trayectos largos de tubería de desagüe en dirección descendente o tubos donde el punto de desagüe esté a menor elevación que la unidad del macerador, para prevenir un efecto de sifón del tanque del macerador.
- Dimensiones desde los pernos traseros de la taza a la pared: los sujetadores del inodoro deben colocarse a 41 cm (16 pulgadas) de la pared y a una distancia de 18 cm (7 pulgadas) entre sí. Esto supone la existencia de un zócalo común de 2 cm (3/4 de pulgada) x 14 cm (5.5 pulgadas) con 2 cm (3/4 de pulgada) de contrazócalo. Se deben tener en cuenta las dimensiones específicas del zócalo durante la instalación y por ello podrían cambiar las dimensiones desde los pernos traseros de la taza a la pared.





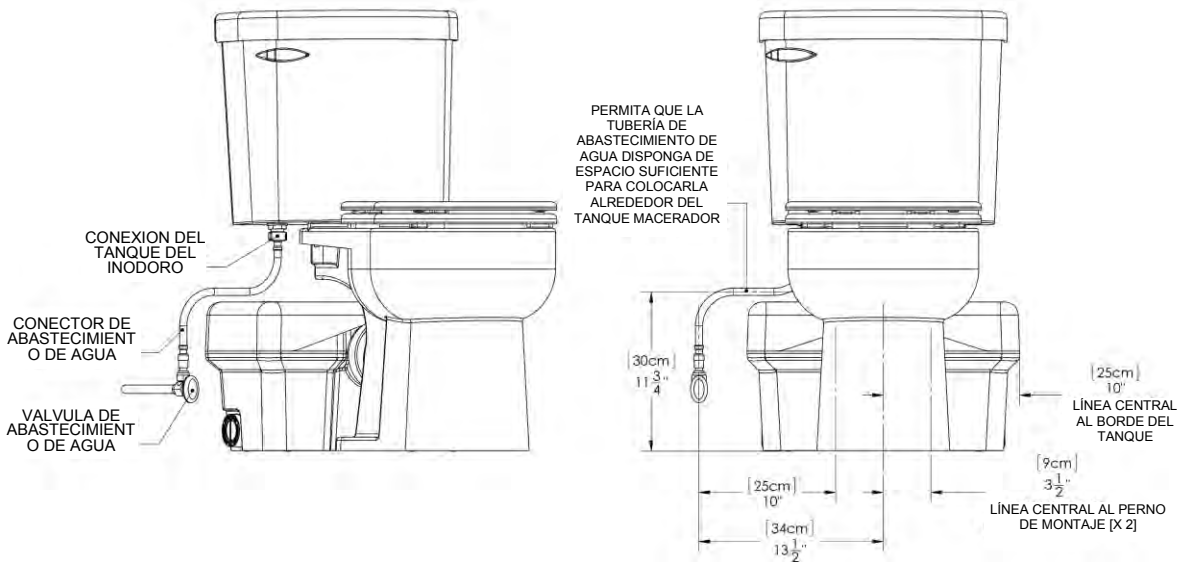
### 3-2 PREPARACIÓN DEL MACERADOR Y LA BOMBA PARA LA INSTALACIÓN

- 3-2-1** Las tapas decorativas se envían de fábrica ya instaladas en la unidad. Sin embargo, durante la instalación es necesario extraer ambas tapas del macerador. Los acoplamientos de la tubería de admisión auxiliar, la llave Allen, el paquete de grasa, la tornillería y la batería de 9 voltios se encuentran en una porción hundida en la tapa de acceso.
- 3-2-2** La tubería de admisión auxiliar se debe instalar usando los acoplamientos suministrados y/o los bujes reductores cuando se conecte a un tubo convencional de PVC normado 40 de 5 cm (2 pulgadas) o 3.8 cm (1-1/2 pulgadas). El tapón debe extraerse girándolo hasta que la rosca quede orientada verticalmente y después tirando de él hacia arriba. Si la unidad ha estado almacenada por un tiempo se podría necesitar un alicate para hacerlo.
- 3-2-3** Tanto el collarín de desagüe como el de ventilación se envían de fábrica en posición horizontal. Si la instalación permite una orientación vertical, se deben extraer los cuatro tornillos para levantar el collarín. Se deberá modificar la tapa decorativa con el uso de una sierra de perforación y una cortadora para extraer material. Encontrará una plantilla en la parte de abajo de la tapa decorativa.
- 3-2-4** Cuando instale el inodoro al macerador, aplique primero una pequeña cantidad de grasa de silicona (en el paquete de grasa suministrado) al borde sellador de hule del macerador. De esta manera la instalación se hará de manera sencilla y sin inconvenientes.



### 3-3 MONTAJE DEL SISTEMA

- 3-3-1** Esquema: Diagramas típicos de instalación. Consulte estos diagramas cuando sea necesario durante el proceso de montaje. Las instalaciones pueden variar según los códigos locales eléctricos y de plomería. Asimismo, la ruta de las tuberías de desagüe y de respiradero puede variar según la instalación.
- 3-3-2** Coloque el macerador en la ubicación deseada y conecte a la unidad todas las tuberías de entrada y de salida de desechos. El lado del tanque que no tiene entradas deberá estar contra la pared para asegurar la colocación correcta del inodoro.



- 3-3-3 Monte el inodoro según las instrucciones del manual de instalación incluido. Tenga cuidado de no agrietar la porcelana al apretar los sujetadores.
- 3-3-4 Para montar el inodoro sobre un piso de concreto, taladre dos orificios a una profundidad de aproximadamente 5.7 cm (2-1/4 pulgadas) con una broca para mampostería de 0.81 cm (5/16 de pulgada). Inserte los tapones de plástico en los orificios. Si el piso es de madera, taladre un orificio inicial con una broca de 0.6 cm (1/4 de pulgada). Los anclajes no están incluidos.
- 3-3-5 Coloque el inodoro frente al tanque macerador y aplique grasa de silicona al borde sellador del macerador. A continuación, deslice el nodo de desagüe del inodoro sobre el anillo sellador de hule del macerador.
- 3-3-6 Coloque el inodoro en el suelo sobre los orificios. Deslice los protectores de porcelana de plástico sobre el tirafondo para garantizar la colocación correcta del inodoro. Apriete los tirafondos (no apriete de más) y encaje las tapas de plástico en su lugar.
- 3-3-7 Conecte la tubería de abastecimiento de agua a la válvula de llenado ubicada directamente debajo de la varilla de desagüe en la parte inferior del tanque del inodoro.

### 3-4 CONEXIÓN A LOS COLLARINES DE DESAGÜE Y VENTILACIÓN

- 3-4-1 El macerador está equipado con un collarín de desagüe de PVC y una válvula de retención que se puede configurar en posición vertical u horizontal. Se puede soldar directamente al collarín un tubo de PVC convencional normado 40 de 2.5 cm (1 pulgada) unido por solvente. Evite el uso de cantidades excesivas de pegamento. La válvula de retención se puede retirar del collarín si fuera necesario. Se pueden pedir collarines de reemplazo. <http://www.libertypumps.com/Service/ReplacementParts/>
- 3-4-2 Se puede instalar una válvula de bola o de compuerta que cubra el puerto por completo y una unión en el tubo de desagüe para facilitar el desmontaje del macerador o realizar tareas de mantenimiento si fuera necesario. Además, se recomienda usar una salida de drenaje para drenar el tubo de desagüe si fuera necesario.
- 3-4-3 El macerador está equipado con un collarín de ventilación de PVC que se puede configurar en posición vertical u horizontal. Se puede soldar directamente al collarín un tubo de PVC convencional normado 40 de 3.8 cm (1-1/2 pulgadas) unido por solvente.
- 3-4-4 El macerador se debe ventilar para garantizar que el inodoro desagüe debidamente. El producto se puede conectar a un respiradero de la residencia o ventilado (con tubería) directamente al exterior según la instalación.
- 3-4-5 **\*\*\*No utilice una válvula de admisión de aire o un equipo de ventilación mecánica de resorte, ya que dichos equipos son válvulas unidireccionales. La presión de aire en el interior y en el exterior del macerador y bomba deberá ser igual; un prolongador de ventilación obstruirá el flujo de aire en una dirección e impedirá el funcionamiento adecuado del inodoro.**
- 3-4-6 El macerador no se ha diseñado para apoyar el tubo de desagüe y de ventilación; se requiere el uso de soportes de suspensión de tubería adecuados.

### 3-5 CONEXIÓN A LA BAJANTE SANITARIA O AL ALCANTARILLADO

- 3-5-1 El macerador tiene una altura de desconexión de 10 m (36 pies). Se deben tener en cuenta todas las pérdidas por fricción debido a tendidos horizontales y los codos. El caudal mínimo de un tubo de PVC normado 40 de 2.5 cm (1 pulgada) es de 19 litros/minuto (5 galones/minuto) comparado con 11.3 litros/minuto (3 galones/minuto) para un tubo de PVC de 1.9 cm (3/4 de pulgada). Si se requiere una elevación vertical, deberá preceder a cualquier tendido "horizontal" y deberá comenzar tan cerca como sea posible del desagüe del macerador. Una vez que el tendido horizontal haya comenzado, no podrá cambiar la dirección en el sentido vertical.

**NOTA: las pérdidas por fricción sin una pendiente de 0.6 cm por 30 cm (1/4 de pulgada por pie) reducirán la capacidad de elevación vertical del sistema. Consulte las secciones 3-5-2 y 3-5-3. Comuníquese con la fábrica para determinar el tamaño adecuado en caso de tendidos extensos o múltiples codos. Teléfono: 1-800-543-2550.**

- 3-5-2 La tubería de desagüe puede consistir en un tubo de PVC de 1.9 cm (3/4 de pulgada) o 2.5 cm (1 pulgada) de diámetro. Use curvas amplias y evite en lo posible utilizar codos. La conexión al bajante sanitario o tubo de alcantarillado se deberá hacer con un conector en Y aprobado.



**3-5-3** Si se desea que la unidad bombee vertical y horizontalmente, podrá calcular que 1 m (3 pies) de elevación vertical es equivalente a 10 m (30 pies) de tendido "horizontal". Cada recodo o cambio de dirección produce una caída de presión, la cual se deberá calcular en la altura total de la unidad. Como norma general, reduzca 1 m (3 pies) de la altura del desagüe por cada recodo de 90°.

Por ejemplo: un tubo de PVC normado 40 de 2.5 cm (1 pulgada) se usa para el desagüe y se tiende horizontalmente por 30.5 cm (1 pie); entonces se dobla a un ángulo de 90° y sube en sentido vertical 1.5 m (5 pies). Después viaja en sentido horizontal con otro recodo de 90° (3 recodos en total) y se conecta a la bajante sanitaria. Consulte la ilustración a continuación.

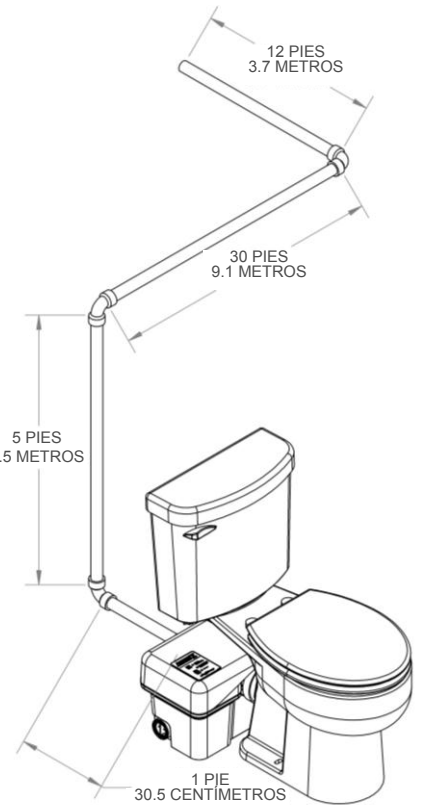
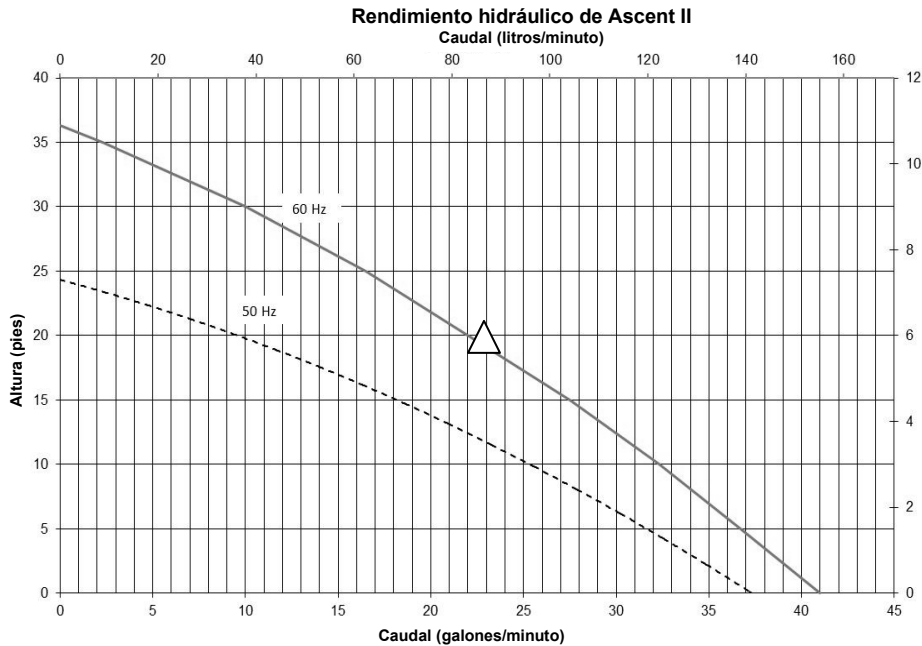
Cálculos:

Elevación vertical total 1.5 m (5 pies) → 1.5 m (5 pies) vertical

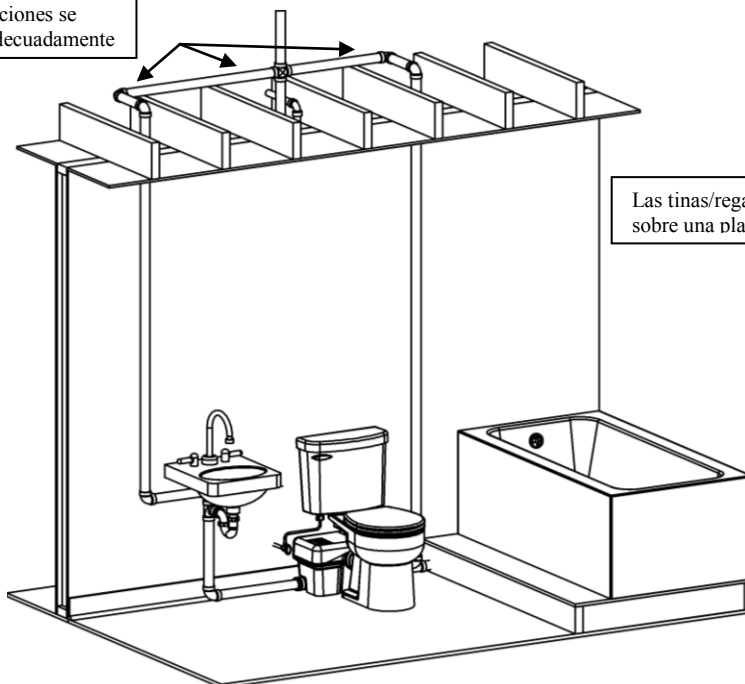
Tendido total horizontal 13.1 m (43 pies) → 1.3 m (4.3 pies) vertical

Tres codos de 90° en total → 2.7 m (9 pies) vertical

Agregue ahora los tres juntos y obtendrá una elevación vertical de 5.6 m (18.3 pies). La curva de rendimiento a continuación indica que la aplicación daría lugar a un caudal de 87 litros/minuto (23 galones/minuto) (60 Hz).



Todas las instalaciones se deben ventilar adecuadamente



Las tinas/regaderas se deben instalar sobre una plataforma elevada

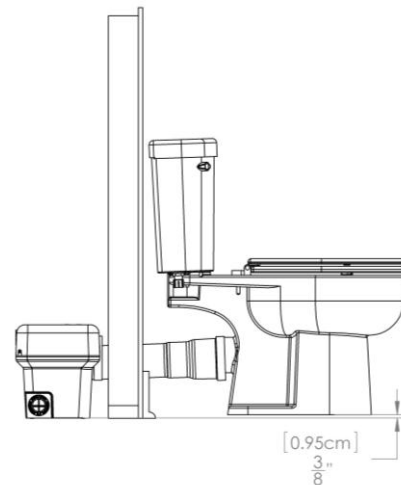
### 3-6 CONEXIÓN AL SUMINISTRO ELÉCTRICO

- 3-6-1** Todos los cableados se deberán hacer según los códigos eléctricos pertinentes. El sistema del macerador requiere un tomacorriente monofásico tipo GFCI (interruptor de circuito de fallas a tierra) con la capacidad adecuada. El tomacorriente se debe instalar según los códigos eléctricos locales y estatales. Se recomienda que el tomacorriente esté a 1 m (40 pulgadas) de separación (en línea recta) de una regadera o tina de baño. Si la instalación se realiza en un sótano, el tomacorriente debe estar a una distancia de 1.22 m (48 pulgadas) del suelo.
- 3-6-2** Si el tomacorriente eléctrico (enchufe) se encuentra cerca del macerador, se puede enrollar o guardar el cable eléctrico adicional en la cavidad grande diseñada en la tapa de acceso que se encuentra debajo de la tapa decorativa derecha.

**⚠ ADVERTENCIA** **Riesgo de descarga eléctrica. Esta bomba se suministra con un enchufe con conexión a tierra. Conecte la bomba a un tomacorriente debidamente conectado a tierra para reducir el riesgo de descargas eléctricas.**

### 3-7 TUBERÍA DE EXTENSIÓN

- 3-7-1** Para instalar el macerador detrás de una pared, necesitará un juego de tubo de extensión K001184 de Liberty (se vende por separado). El juego incluye un tubo de extensión de 18.75 pulg. (47.63 cm), un anillo de moldura decorativo y un paquete de grasa. Los anillos de hule sellan ambos extremos del tubo de extensión. **Para evitar que se rompan, siempre engrase los dos sellos antes de instalar el tubo.** Deslice el anillo de moldura decorativo en el tubo. Para instalar el tubo, no requiere sujetadores; acople el tubo de extensión al orificio de descarga del inodoro y luego inserte el tubo en el macerador. Para terminar la instalación, sujete el inodoro al piso y fije los tubos de descarga y de ventilación del macerador. Para obtener un desempeño de desagüe adecuado, asegúrese de que la base del inodoro no se encuentre por debajo de la base del macerador. Utilice un nivel para comprobar que el tubo de extensión esté a nivel o inclinado hacia el macerador y no hacia el inodoro.



- 3-7-2** Liberty recomienda usar un solo tubo de extensión.

### 3-8 CONSEJOS DE INSTALACIÓN

- 3-8-1 SOPORTES DE LA TUBERÍA:** todos los soportes del sistema de tubería sanitaria deberán ser de acuerdo con las recomendaciones del fabricante. Evite que se produzcan recodos, los cuales pueden ocasionar que se acumulen "sólidos" residuales y que se produzcan bloqueos posteriores.
- 3-8-2 RECODOS:** en lo posible se deberán emplear curvas largas y poco pronunciadas. No utilice codos cortos. Si no tiene disponibles codos con curva de 90°, use dos codos de 45° para lograr dicho ángulo.
- 3-8-3 TUBERÍA VERTICAL PRIMERO:** si se requiere elevación vertical, deberá preceder al tendido horizontal de la tubería.
- 3-8-4 BATERÍA:** la batería se debe instalar **DEPUÉS** de que el macerador esté conectado a la fuente de alimentación de CA. De no seguir este procedimiento la unidad podría no funcionar adecuadamente.
- 3-8-5 DIRECTAMENTE VERTICAL:** todas las elevaciones verticales deberán subir tan cerca como sea posible del macerador y permitir solamente un espacio para el tanque del inodoro; el tendido horizontal inicial no debe superar los 30.5 cm (12 pulgadas).
- 3-8-6 NO UTILIZAR TENDIDOS DIAGONALES ASCENDENTES:** todos los sistemas de tubería de desagüe desde la unidad se deberán tender directamente en sentido vertical o en el plano horizontal (con un descenso mínimo de 0.6 cm por 30 cm - 1/4 de pulgada por pie) hacia el punto de desagüe. El sistema de tubería no se deberá instalar utilizando un tendido diagonal ascendente desde la unidad al punto de desagüe.
- 3-8-7 FACILIDAD DE ACCESO:** la unidad deberá ser accesible y desmontable en caso de que se necesite realizar mantenimiento. Durante la instalación, se deberá instalar una válvula de bola que cubra el puerto por completo cerca del collarín de desagüe para facilitar el acceso durante el servicio de la unidad.
- 3-8-8 CAÍDA POR GRAVEDAD:** la unidad acepta aguas residuales por gravedad; no por "succión o vacío". Todos los sistemas de tubería de entrada tienen caída por gravedad positiva (0.6 cm mínimo por 30 cm - 1/4 de pulgada mínimo por pie). Todas las tuberías horizontales desde el macerador deberán también tener un descenso de 0.6 cm por 30 cm (1/4 de pulgada por pie) para permitir que el drenaje fluya libremente cuando la bomba se detiene.
- 3-8-9 CONEXIÓN AL BAJANTE SANITARIO:** todos los sistemas de tubería de desagüe deberán estar conectados al bajante sanitario por medio de una conexión apropiada y aprobada con acoplamiento en forma de T o Y.
- 3-8-10 SISTEMA DE TUBERÍA:** todos los sistemas de tubería deberán ser de cobre, PVC o CPVC. No utilice tubos flexibles. Los soportes de suspensión no deberán estar a más de 1.3 m (4 pies) de separación, para evitar los traqueteos.
- 3-8-11 JALAR LA CADENA:** el macerador se ha diseñado para funcionar con un inodoro de bajo caudal de 4.8 litros (1.28 galones) por descarga.
- 3-8-12 DESAGÜE:** nunca desagüe directamente en un drenaje, instalación sanitaria, boca de alcantarilla o tubo de bajada de agua pluvial. Esto es ilegal porque constituye un riesgo para la salud. Son aceptables las conexiones directas solamente a sistemas de desechos sanitarios.



- 3-8-13 CONGELAMIENTO:** asegúrese de que todos los sistemas de tubería susceptibles a congelamiento estén adecuadamente aislados o calentados. En edificios sin calefacción, el inodoro, las tuberías y el macerador deberán estar adecuadamente preparados para el invierno. Use líquido anticongelante para tuberías o drene el sistema por completo.
- 3-8-14 ELECTRICIDAD:** el macerador deberá estar conectado a un interruptor de circuito de fallas a tierra (GFCI).  
Antes de tratar de realizar cualquier tipo de mantenimiento o servicio, la unidad deberá estar desconectada del suministro eléctrico.
- 3-8-15 REGADERA:** la altura del nivel del agua en el tanque del macerador deberá ser 11.4 cm (4.5 pulgadas) antes de que la unidad comience a bombear. El suelo de la regadera debe estar a un nivel muy superior a este nivel. Liberty recomienda por lo menos 15.2 cm a 20.3 cm (6 a 8 pulgadas) para garantizar que la regadera drene debidamente y evitar contraflujos.

## 4. Operación

### 4-1 ACTIVACIÓN DE LA UNIDAD

- 4-1-1** Asegúrese de que el inodoro / tanque se haya ensamblado según las instrucciones suministradas con el tanque del inodoro.
- 4-1-2** Asegúrese de que toda válvula de bola o de compuerta en el tubo de desagüe se encuentren en posición abierta (caudal completo).
- 4-1-3** Abra la válvula de cierre y deje que el tanque del inodoro se llene. Compruebe que no haya fugas en las conexiones y verificar que el flotador válvula de llenado de inodoro y la válvula de descarga que funcionan libremente.
- 4-1-4** Asegúrese de que ambas tapas decorativas se hayan instalado en el macerador y que éste se haya enchufado con el suministro eléctrico encendido. La luz verde debe estar iluminada. Si la luz verde parpadea, inspeccione la instalación de las tapas decorativas.
- 4-1-5** Deposite algunas hojas de papel higiénico en la taza y jale la cadena del inodoro. No debería haber restos de papel en la taza del inodoro después de jalar la cadena. Este paso se debe repetir varias veces.
- 4-1-6** El efecto de jalar la cadena o la altura del agua en el tanque activa el sistema interruptor adaptable del macerador. La unidad arrancará al poco tiempo de jalar la cadena o cuando la profundidad del agua llegue a 11.4 cm (4.5 pulgadas). La duración de la operación variará según la instalación efectuada. Nota: el macerador podría no arrancar inmediatamente después de usar el fregadero.

### 4-2 NOTAS DE PRECAUCIÓN

- 4-2-1** El macerador se ha diseñado para desechos humanos y papel higiénico.
- 4-2-2** No deseche sustancias ácidas, alcalinas, solventes, aceites, pinturas, quitapinturas, desechos de alimentos ni aplicadores de algodón. Los limpiadores para inodoros comunes por lo general no ocasionarán daño al macerador. El macerador podría arrancar al limpiar la unidad o usar un desatascador.
- 4-2-3** No cuelgue bloques de lejía ni limpiadores de hipoclorito en el tanque del inodoro. Estas soluciones han demostrado deteriorar los compuestos de plástico y neopreno de las válvulas de llenado y desagüe, y pueden causar fugas.
- 4-2-4** Si ocurriera un corte eléctrico, el inodoro se puede usar dos veces. Se debe limitar el uso de instalaciones sanitarias, como un fregadero. No use una regadera ni tina ya que el macerador no bombeará hasta que se restablezca la corriente eléctrica.

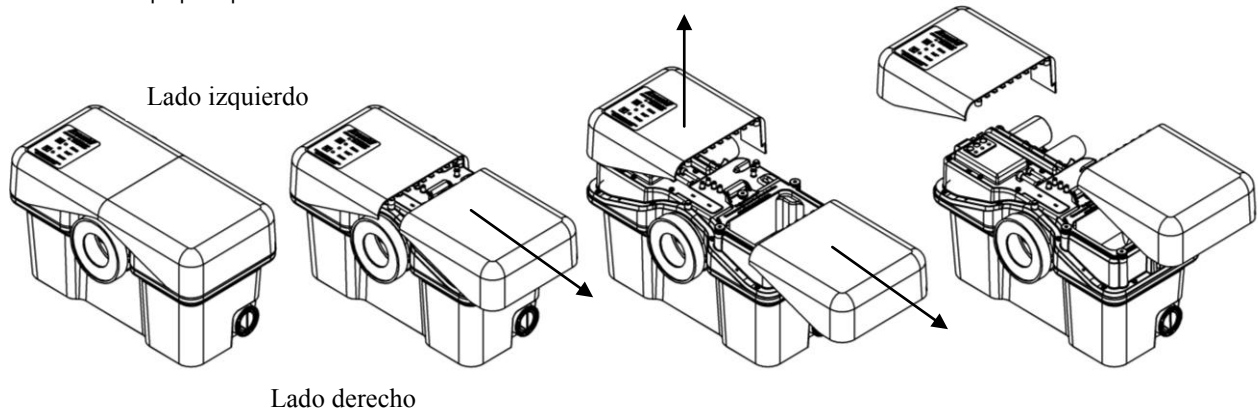
### 4-3 MANTENIMIENTO

El macerador se ha diseñado para permitir dar servicio fácilmente a todos sus componentes o reemplazarlos si fuera necesario.

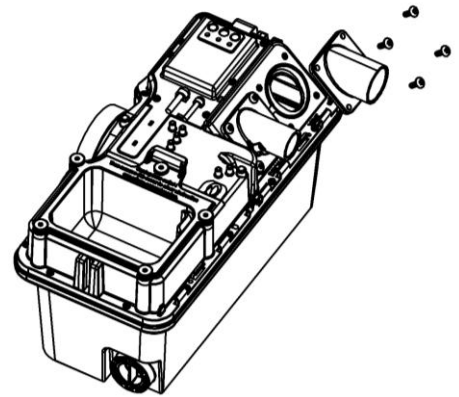
#### **⚠ ADVERTENCIA**

Riesgo de descarga eléctrica. Desconecte siempre el macerador del suministro eléctrico antes de manipular la unidad o hacer ajustes. Riesgo para la salud: cuchillas afiladas dentro de la unidad, use guantes de hule.

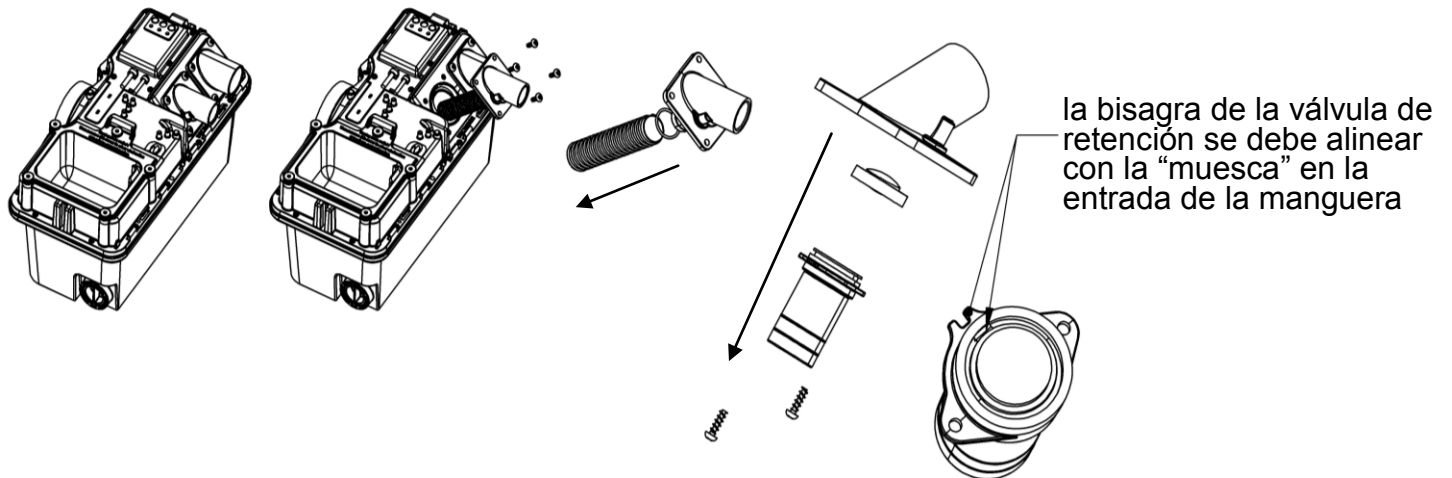
- 4-3-1 Tapas decorativas:** las tapas decorativas a la derecha y a la izquierda se encuentran situadas sobre el producto y se retienen por medio de sujetadores y fijadores. La del lado derecho se puede extraer del macerador tirando de ella en sentido horizontal y después levantándola verticalmente. La tapa decorativa izquierda se encuentra fija en su sitio y sujeta por fijadores en contacto en la tapa principal.



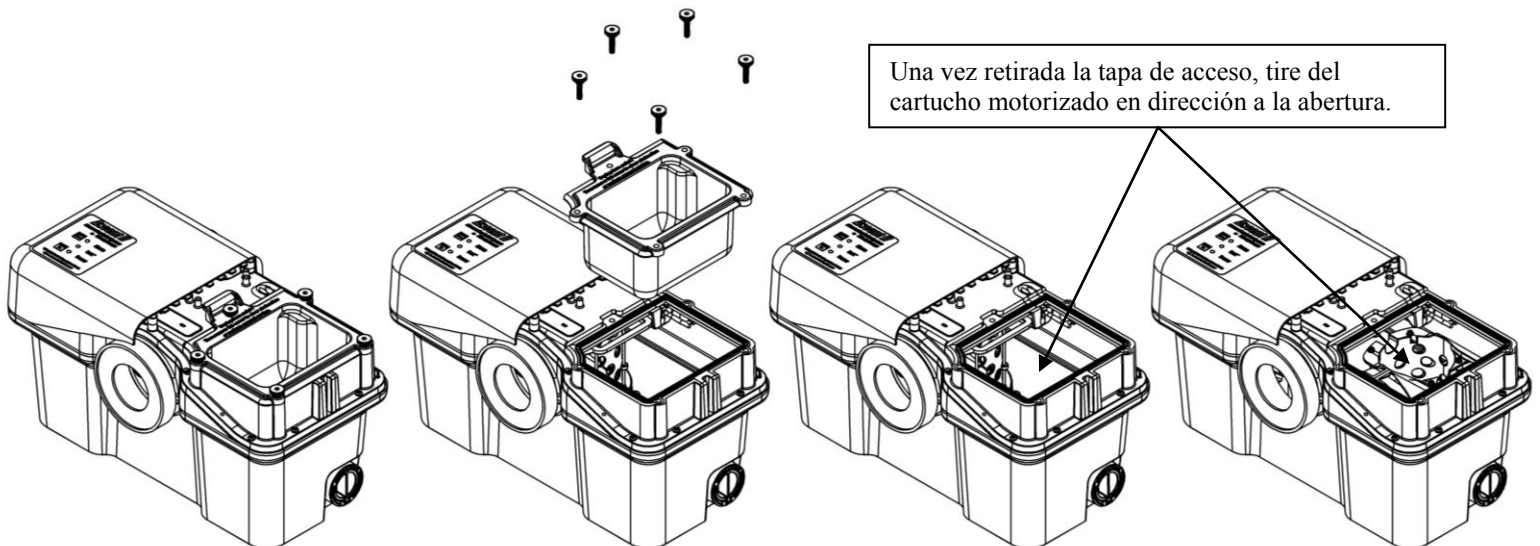
**4-3-2 Collarines de desagüe y de ventilación:** los collarines de desagüe y ventilación se encuentran fijos en su sitio por sujetadores en la tapa principal y se pueden extraer destornillando los cuatro sujetadores y sacando los collarines de la tapa principal.



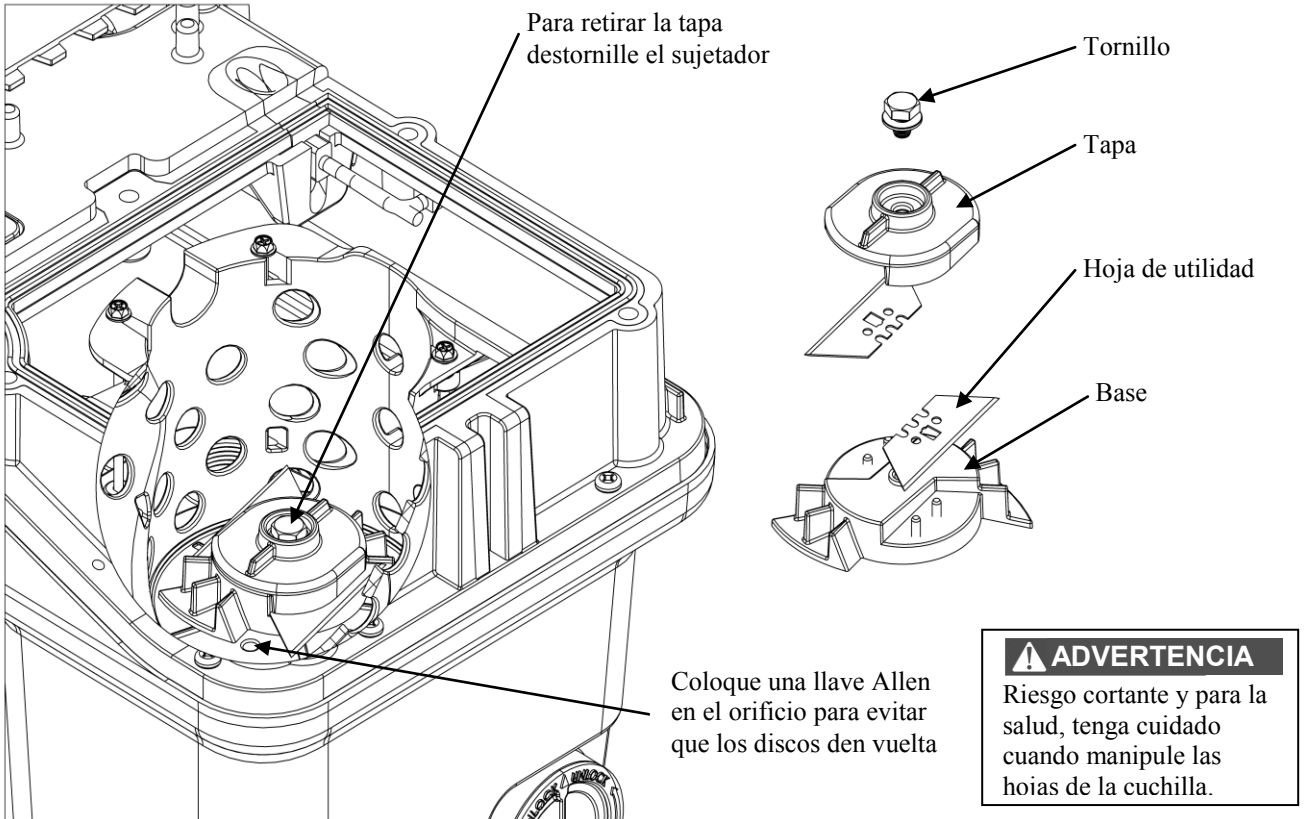
**4-3-3 Válvula de retención:** el collarín de desagüe contiene una válvula de retención integrada. Esta válvula se mantiene sujeta por una placa de respaldo que también está conectada a la manguera de desagüe. Para obtener acceso a la válvula de retención, retire primero el collarín de desagüe de la tapa principal quitando los 4 tornillos. A continuación, retire la manguera seguido por los dos tornillos. La entrada de la manguera se puede separar del collarín tirando de ella hacia afuera. La válvula de retención se encaja en la entrada de la manguera. Al reinstalar, la bisagra de la válvula de retención se debe alinear con la "muesca" de la entrada de la manguera o la placa de respaldo. Después de instalar la entrada de la manguera, confirme que la válvula de retención se pueda abrir completamente.



**4-3-4 Tapa de acceso:** la tapa de acceso está fijada a la tapa principal con cinco sujetadores. Si fuera necesario, use una llave Allen de 0.5 cm (3/16 de pulgada) para aflojar los sujetadores. Cuando se retiren los tornillos, se podrá levantar la tapa de acceso. Es posible que necesite manipularla un poco si el macerador se encuentra directamente debajo del tanque de depósito del inodoro.



- a) Una vez retirada la tapa de acceso, el cartucho motorizado se puede deslizar hacia la abertura agarrando el asa de la cesta y jalando hacia la derecha en dirección a la abertura. En algunos casos, es posible que haya residuos atascados entre el tanque y la cesta por lo que se requiere aplicar cierta manipulación.
- b) Una vez que se haya deslizado hacia afuera el cartucho motorizado, se deben poder ver los discos en el centro de la cesta. En este momento se deben retirar las obstrucciones o los objetos presentes. Tenga mucho cuidado ya que los discos son sumamente afilados.
- c) Para reemplazar los discos se debe introducir una llave Allen de 0.5 cm (3/16 de pulgada) en los orificios del fondo de la cesta. De esta manera se creará una cuña que evita que las hojas den vuelta. El sujetador de cierre se puede aflojar con una llave de 1.12 cm (7/16 de pulgada) ("drive" de 0.6 cm o 1/4 de pulgada). Cuando se afloje, el tornillo y la tapa se pueden extraer hacia arriba para exponer las dos hojas de cuchilla. Liberty Pumps recomienda hojas de acero inoxidable, aunque se pueden reemplazar con cualquier tipo de hoja de cuchillo de uso regular con dos orificios. Cuando reemplace las hojas de cuchilla, simplemente introduzca la hoja entre los dos pernos. La tapa y el tornillo se deben reemplazar en ese momento.
- d) La base del cartucho cortante también se puede reemplazar. Después de extraer las hojas de cuchilla se puede introducir un desarmador de pala fina en el orificio del centro y cuando encaje se puede girar la base hacia la izquierda hasta liberarla.



#### 4-3-5 Acceso al cartucho motorizado:

Puede obtener acceso al cartucho motorizado a través de la abertura de acceso o extrayendo la tapa principal.

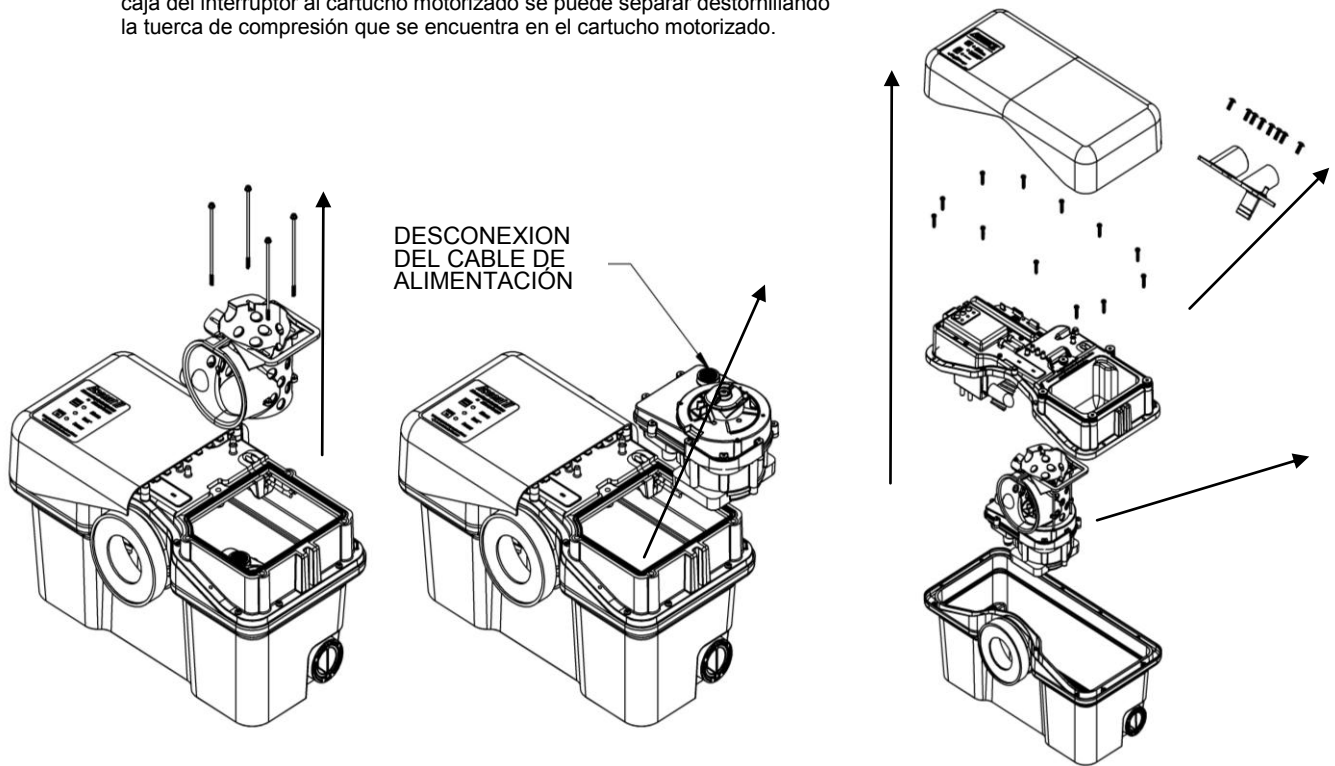
- 1) Retiro del cartucho motorizado a través de la abertura de acceso:

Una vez que se haya retirado la tapa de acceso y la cesta se haya deslizado hacia la abertura, es posible destornillar los cuatro sujetadores que mantienen fija la cesta. La cesta se puede retirar por la abertura seguida por el cartucho motorizado.

- 2) Retiro del cartucho motorizado desmontando el macerador:

Si se instaló una válvula de bola en el tubo de desagüe, esta debe cerrarse para eliminar la posibilidad de que salgan desechos del tubo de desagüe. A continuación, los collarines de desagüe y ventilación se deben separar de la tapa principal retirando los 4 tornillos de cada uno. La tapa principal puede entonces separarse del tanque retirando los sostenedores en la periferia del tanque. Esta tapa se puede levantar para exponer el cartucho motorizado.

El cable de alimentación conectado en el interior que se extiende desde la caja del interruptor al cartucho motorizado se puede separar destornillando la tuerca de compresión que se encuentra en el cartucho motorizado.



**4-3-6 Extracción de bloqueos del rotor / reemplazo del rotor:**

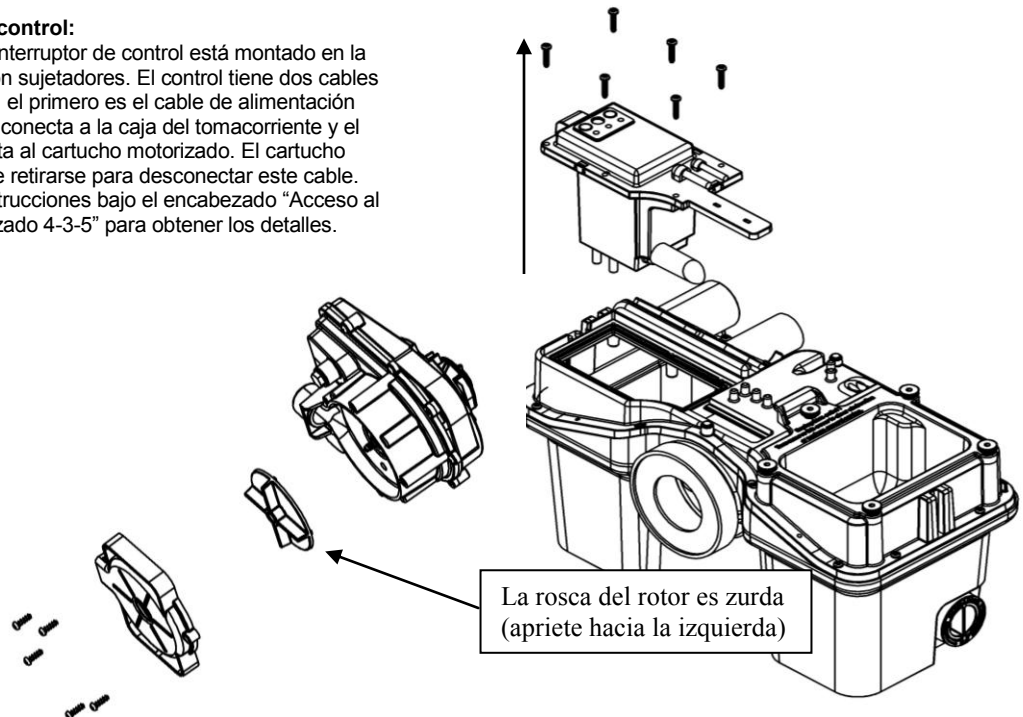
Cuando se pueda acceder al cartucho motorizado, los sujetadores que retienen la voluta se pueden retirar para separar la voluta tirando de ella. La cámara del rotor se puede ahora limpiar si fuera necesario o reemplazar el rotor. NOTA: la rosca del rotor es zurda. Para retirarlo, use un desarmador de pala para sostener el eje y gire el rotor hacia la derecha.

**4-3-7 Manguera de interconexión:**

Una manguera conecta el desagüe del cartucho motorizado (la bomba) al collarín de desagüe. Para retirar esta manguera, siga el procedimiento para retirar el collarín de desagüe y el cartucho motorizado. Ambos extremos de la manguera están sujetos por abrazaderas.

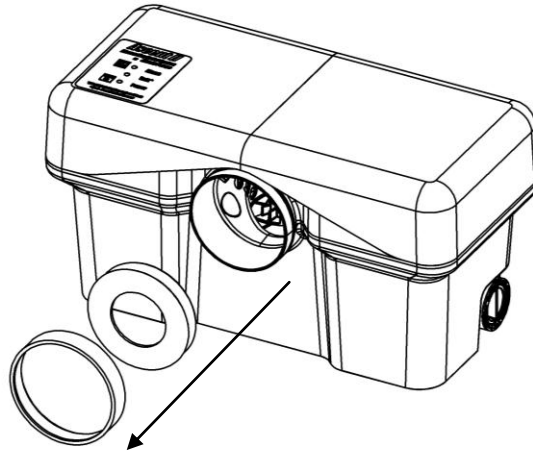
**4-3-8 Interruptor de control:**

El cartucho del interruptor de control está montado en la tapa principal con sujetadores. El control tiene dos cables de alimentación; el primero es el cable de alimentación principal que se conecta a la caja del tomacorriente y el segundo alimenta al cartucho motorizado. El cartucho motorizado debe retirarse para desconectar este cable. Consulte las instrucciones bajo el encabezado "Acceso al cartucho motorizado 4-3-5" para obtener los detalles.



**4-3-9****Anillo de sellado del inodoro:**

El sello entre el inodoro y el macerador consiste en un anillo de hule conectado al macerador en el cual se desliza el inodoro. El anillo de hule se estira y forma un sello alrededor del nodo de desagüe del inodoro. Este anillo de hule se puede reemplazar retirando el retenedor de plástico y jalando el anillo hacia afuera. La instalación es a la inversa, primero deslice el anillo de hule en el macerador seguido por el anillo de retención.



## 5. Diagnóstico de problemas

### 5-1 ANTES DE CONSULTAR LA TABLA DE DIAGNÓSTICO DE PROBLEMAS

- 5-1-1 Compruebe el sistema de tubería. Jale la cadena y asegúrese de que el suministro de agua esté activado.
- 5-1-2 Compruebe el sistema eléctrico. Asegúrese de que el disyuntor y el interruptor de circuito de fallas a tierra estén encendidos. Compruebe la condición del disyuntor o el fusible. Asegúrese de que el enchufe no esté flojo. Si la sobrecarga térmica de la unidad de plomería se ha activado, se tardará unos 20 minutos en reactivarse.
- 5-1-3 Asegúrese de que las tapas decorativas estén instaladas y debidamente colocadas y que el interruptor de seguridad está activado. La luz verde no debe parpadear si el interruptor de seguridad se ha activado adecuadamente.
- 5-1-4 Compruebe el sistema hidráulico. Compruebe que el tubo de desagüe y el tubo de ventilación no estén bloqueados.
- 5-1-5 Si la bomba maceradora se enciende intermitentemente y no se desagua el inodoro ni recolecta agua de drenaje del fregadero, la regadera o la tina, inspeccione la válvula de desagüe del tanque del inodoro para determinar si tiene fugas.

5-2 TABLA DE DIAGNÓSTICO DE PROBLEMAS

**⚠️ ADVERTENCIA** RIESGO DE DESCARGA ELÉCTRICA SIEMPRE DESCONECTE EL SUMINISTRO ELÉCTRICO ANTES DE DAR SERVICIO AL TANQUE MACERADOR.

PROBLEMA	CAUSA	SOLUCIÓN
<p>El inodoro desagua de manera normal pero evacua o drena de la taza lentamente</p> <ul style="list-style-type: none"> <li>■ el macerador suena normal y funciona por 4 segundos, y después de un tiempo funciona por 4 segundos.</li> <li>■ NO hay alarma</li> </ul>	<p>Está entrando agua lentamente al tanque de retención del macerador.</p>	
	<p>El inodoro o la extensión del desagüe podrían estar bloqueados.</p>	<p>Se debe limpiar la tubería.</p>
	<p>Mala ventilación</p>	<p>La unidad debe ventilarse adecuadamente al aire libre para permitir que entre agua al tanque del macerador. Confirme que la ventilación se encuentre despejada. <b>NO USE RESPIRADEROS DE PASO ÚNICO</b></p>
	<p>Acumulación en la cesta del tamiz</p>	<p>Jale la cadena varias veces usando agua limpia para extraer los residuos del macerador. Si la unidad no puede despejar el bloqueo por su cuenta, la tapa de acceso se debe retirar para hacer una limpieza manual. <b>Consulte la sección 4.</b></p>
<p>El inodoro desagua normalmente pero no evacua ni drena de la taza.</p> <ul style="list-style-type: none"> <li>■ el macerador suena normal y funciona por 4 segundos pero entonces se apaga</li> <li>■ NO hay alarma</li> </ul>	<p>El agua no puede entrar en el tanque de retención del macerador</p>	
	<p>El desagüe o el tubo de extensión del inodoro puede estar bloqueado.</p>	<p>Se debe limpiar la tubería.</p>
	<p>La unidad no está ventilada correctamente.</p>	<p>La unidad debe ventilarse adecuadamente al aire libre para permitir que entre agua al tanque del macerador. Confirme que la ventilación esté despejada. <b>NO USE RESPIRADEROS DE PASO ÚNICO</b></p>



<p><b>El inodoro desagua normalmente pero no evacua ni drena de la taza.</b></p> <ul style="list-style-type: none"> <li>■ El macerador arranca y suena normal (funciona) pero entonces se detiene después de 5 a 10 minutos. Vuelve a arrancar después de 30 a 60 minutos.</li> <li>■ La alarma se activa</li> </ul>	<p><b>El macerador no puede evacuar su tanque de retención y entra en el ciclo de sobrecarga térmica</b></p>	
	Rotor dañado	Reemplace el rotor
	La válvula de retención se queda cerrada	Confirme que la válvula de retención funcione debidamente; si no, se debe reparar o reemplazarla.
	La manguera interna está dañada o desconectada	Confirme que la manguera interna funcione debidamente; si no, debe reemplazarla.
	Si el macerador se instaló con una válvula de bola en la tubería de desagüe, ¿está abierta la válvula?	Abra la válvula de bola
	Esclusa de aire	La voluta tiene un conducto para permitir que escape el aire atrapado, este conducto se debe despejar si tiene obstrucciones
	La entrada de la voluta está tapada	La entrada de la voluta, situada en la parte inferior del cartucho de la bomba, requiere limpieza.
<p><b>El inodoro desagua normalmente pero el macerador no arranca o solo zumba</b></p> <ul style="list-style-type: none"> <li>■ La luz verde está encendida constantemente (sin parpadear)</li> </ul>	<p><b>El macerador está atascado</b></p>	
	Los discos o el rotor están atascados e impiden que arranque el motor	Despeje las obstrucciones de los discos o del rotor
	Problema interno del motor	El cartucho de la bomba se debe reemplazar
<p><b>Acumulación de desechos en la taza del inodoro</b></p>	<p><b>El inodoro no desagua el volumen debido o hay una posible obstrucción en la cesta del tamiz o una ventilación inadecuada.</b></p>	
	Nivel inadecuado de agua en el tanque de depósito	Compruebe y/o ajuste el mecanismo de llenado de agua para que el nivel de agua concuerde con la línea de referencia en el tanque
	La cesta del tamiz se debe limpiar	Extraiga los residuos de la cesta del tamiz
	La unidad no está ventilada correctamente.	La unidad debe ventilarse adecuadamente al aire libre para permitir que entre agua al tanque del macerador. Confirme que la ventilación esté despejada. <b>NO USE RESPIRADEROS DE PASO ÚNICO</b>

<b>El macerador no arranca</b> ■ La luz verde está apagada	<b>No hay corriente eléctrica</b>	
	El macerador está desconectado, el disyuntor de alimentación está apagado o saltó el interruptor GFCI.	Compruebe el suministro eléctrico
<b>El macerador no enciende luces cuando se conecta</b> ■ No están encendidas todas las luces del panel de interfaz del usuario	<b>No hay energía eléctrica ni modo de protección de batería</b>	
	El macerador está desconectado, el disyuntor de alimentación está apagado o saltó el interruptor GFCI.	Compruebe el suministro eléctrico
	El sistema de control está en modo de protección de batería.	<ol style="list-style-type: none"> <li>1. Desconecte el macerador del tomacorriente</li> <li>2. Retire la batería de 9 V que alimenta la alarma</li> <li>3. Conecte el macerador otra vez en el tomacorriente</li> <li>4. Reinstale la batería de 9 V</li> </ol>
<b>El macerador no arranca</b> ■ La luz verde está parpadeando	<b>El macerador está recibiendo corriente eléctrica, el interruptor de seguridad está apagado.</b>	
	La tapa decorativa no está instalada	Ambas mitades de la tapa decorativa deben estar instaladas y debidamente colocadas en la unidad.
	La tapa decorativa de la derecha, la que está encima de la tapa de acceso, debe tener un imán en una columna. Este imán activa un interruptor de seguridad.	Reemplace el imán o la tapa decorativa completa de la derecha
<b>El macerador pulsa sin un motivo aparente</b>	<b>Plomería general</b>	
	Fuga de agua del depósito del inodoro	Compruebe la válvula de desagüe y los componentes relacionados en el tanque de depósito
	Falla de la válvula de retención del macerador	El collarín de desagüe contiene la válvula de retención la cual se debe limpiar o reemplazar
<b>Durante un ciclo de bombeo se oye un traqueteo que proviene del macerador</b>	<b>Residuos sólidos en la cesta</b>	
	Hay un objeto sólido mayor de 1.27 cm (½ pulgada) atrapado en la cesta cortadora del macerador.	Se debe retirar la tapa de acceso para hacer una limpieza manual. Consulte la sección 4
<b>La alarma suena frecuentemente</b>	<b>La bomba no puede evacuar el tanque</b>	
	Rotor dañado	Reemplace el rotor
	La entrada de la voluta está tapada	Limpie la entrada de la voluta
	La manguera interna está dañada	Confirme que la manguera interna funcione debidamente; si no, debe reemplazarla.

	Esclusa de aire	La voluta tiene un conducto para permitir que escape el aire atrapado. Este conducto se debe despejar si tiene obstrucciones.
	Aplicación	La capacidad de la bomba ha sido superada por el caudal de agua entrante. Reduzca el caudal que llega al macerador o reduzca la altura de la bomba.
<b>El agua se devuelve hacia la plataforma de la regadera</b> ■ La alarma no está activada	<b>Plomería general</b>	
	Bloqueo o inclinación inadecuada en la tubería	Despeje las obstrucciones en la tubería o aumente la inclinación del tubo de desagüe. Generalmente, una inclinación de 0.6 cm por 30 cm (1/4 de pulgada por pie) es adecuada para una tubería de drenaje por gravedad.
	Los collarines de admisión del macerador no están funcionando	Despeje la acumulación de residuos en el tanque del macerador que no permite que abran los collarines.
<b>El agua se devuelve hacia la plataforma de la regadera</b> ■ La alarma se activa	<b>La tubería general o el sistema se están obstruyendo</b>	
	Rotor dañado	Reemplace el rotor
	La entrada de la voluta está tapada	Limpie la entrada de la voluta
	La manguera interna está dañada	Confirme que la manguera interna funcione debidamente; si no, se debe solucionar el problema o reemplazarla.
	Esclusa de aire	La voluta tiene un conducto para permitir que escape el aire atrapado, este conducto se debe despejar si tiene obstrucciones.
	El caudal de entrada es mayor que la capacidad de la bomba	La unidad puede funcionar bien con dos cebolletas. Se deben evitar múltiples cebolletas (3 o más).
	Falla de la válvula de retención del macerador	El collarín de desagüe contiene la válvula de retención la cual se debe limpiar o reemplazar.
<b>Al drenar la tina, la alarma suena y/o el agua se devuelve al inodoro</b>	<b>Plomería general</b>	
	La entrada es mayor que la capacidad del macerador	Se debe instalar una válvula de bola entre la tina y el macerador. Reduzca la capacidad o cierre parcialmente la válvula de bola hasta que el macerador tenga la capacidad para el caudal de drenaje de la tina.
<b>El macerador produce ruido excesivo cuando está funcionando</b>	<b>Plomería general</b>	
	Traqueteo en la plomería	Tanto el tubo de desagüe como el de ventilación deben estar fijados con una abrazadera adecuada de tubos.
	Objeto extraño en la cesta cortadora	Se debe retirar la tapa de acceso para hacer una limpieza manual; consulte la sección 4.

## 7. Garantía limitada por 3 años

**\*NOTA:** Liberty Pumps, Inc. no asume ninguna responsabilidad por desperfectos o lesiones resultantes del desmontaje de la bomba en el campo. Si el desmontaje de la bomba no lo lleva a cabo Liberty Pumps o uno de sus centros de servicio autorizados, la garantía quedará anulada.

Liberty Pumps, Inc. garantiza que las bombas que fabrica están libres de defectos en los materiales y la mano de obra por un período de 3 años a partir de la fecha de compra. La fecha de compra se determinará con el recibo de compra fechado, que incluya el modelo y el número de serie de la bomba. Este recibo deberá acompañar a la bomba si la fecha de devolución ocurre más de 3 años después de la fecha de fabricación (código-CODE) indicada en la placa de identificación de la unidad.

Las obligaciones del fabricante bajo esta garantía se limitan a la reparación o el reemplazo de las piezas que el fabricante determine defectuosas, siempre que la pieza o el ensamblaje se devuelva al fabricante o a uno de sus centros de servicio autorizados con el porte pagado y que no se evidencie ninguna de las siguientes características, lo que supondría la anulación de la garantía.

El fabricante no tendrá obligación alguna bajo esta garantía si el producto no ha sido instalado correctamente; si ha sido desmontado, modificado, abusado o forzado; si el cable eléctrico se ha cortado, dañado o empalmado; si se redujo el tamaño de la descarga de la bomba; si la bomba se usó con agua más caliente de la temperatura nominal, o agua con arena, cal, cemento, grava u otros elementos abrasivos; si la bomba ha sido utilizada para bombear químicos o hidrocarburos; si un motor no sumergible ha sido sometido a un exceso de humedad; o si se ha retirado la etiqueta con el número de serie y de código. Liberty Pumps, Inc. no se hace responsable de pérdidas, daños o gastos causados por la instalación o uso de sus productos, o por daños consiguientes, incluidos los costos de desmontaje, reinstalación o transporte de la unidad.

No se ofrece ninguna otra garantía expresa. Todas las garantías implícitas, incluidas las de comerciabilidad y adecuación para un propósito determinado, están limitadas a un plazo de tres años a partir de la fecha de compra.

Esta garantía contiene el resarcimiento exclusivo del comprador y, donde sea permitido, se excluye toda responsabilidad por daños secundarios y consiguientes bajo cualquier otra garantía.



7000 Apple Tree Avenue  
Bergen, NY 14416  
Teléfono: (800) 543-2550  
Fax: (585) 494-1839  
[www.libertypumps.com](http://www.libertypumps.com)

# Ascent™ II

Macerating Toilet System



### Modèles :

**Ascent II-ESW** Système complet; toilette allongée

**Ascent II-RSW** Système complet; toilette à devant rond

## Table des matières

- 1.) Renseignements généraux
- 2.) Introduction
- 3.) Installation
- 4.) Fonctionnement
- 5.) Entretien
- 6.) Tableau de dépannage
- 7.) Garantie

**Installer: S'il vous plaît laissez ce manuel avec le propriétaire pour référence future.**

**Avant l'installation, noter les numéros de modèle, de série et de code qui figurent sur la plaque signalétique pour éventuellement s'y référer.**

**N° de MODÈLE :** \_\_\_\_\_

**N° DE SÉRIE :** \_\_\_\_\_

**DATE D'INSTALLATION :** \_\_\_\_\_

7000 Apple Tree Avenue  
Bergen, NY 14416, USA  
Téléphone : 1 800 543-2550  
Télécopieur : 585 494-1839  
www.libertypumps.com



Pompe déchiqueteuse homologuée UPC; dossier n° 5771;

Toilette homologuée UPC, dossier n° 8056;

Toilette respectant les normes EPA WaterSense.

ASME A112.3.4  
CSA B45.9

[Les certifications s'appliquent uniquement aux modèles à 115 V]

# 1. Renseignements généraux

Lire attentivement les directives avant d'effectuer l'installation. Chaque pompe de marque Liberty est testée individuellement en usine pour assurer un bon fonctionnement. Le fait de suivre ces directives à la lettre éliminera les risques de dysfonctionnement et assurera des années de service sans soucis.

## ⚠ MISE EN GARDE Danger d'explosion ou danger pour la santé durant l'installation ou l'entretien

- **Danger d'électrocution.** Toujours débrancher la pompe déchiqueteuse de l'alimentation électrique avant de la manipuler ou d'y effectuer des réglages.
- Cette pompe ne doit pas être installée dans un endroit classé dangereux selon la norme ANSI/NFPA 70 du NEC.
- Les raccords électriques et le câblage pour l'installation de la pompe ne devraient être effectués que par des professionnels qualifiés.
- Cette pompe est fournie avec une fiche de branchement de type mise à la terre. Afin de réduire les dangers d'électrocution, s'assurer que la pompe est raccordée à une prise correctement mise à la terre.
- Ce produit doit être raccordé à un disjoncteur de fuite de terre (différentiel).
- Ne pas dévier les fils de mise à la terre ou retirer la broche de mise à la terre des fiches de branchement.
- Ne pas utiliser de rallonge.
- L'installation doit être faite en respectant le code national de l'électricité et tous les codes locaux et règlements en vigueur.
- La pompe déchiqueteuse possède une grande ouverture afin d'être compatible avec la sortie d'une toilette à évacuation arrière. NE PAS placer la main ou d'autres objets dans cette ouverture même lorsque l'appareil est débranché. Cette ouverture de la pompe déchiqueteuse est munie de couteaux très acérés.
- Des couvercles décoratifs doivent être installés lors du fonctionnement; un dispositif de sécurité est intégré aux couvercles afin de prévenir tout fonctionnement accidentel. L'appareil peut démarrer lorsqu'il est mis sous tension la première fois.
- Danger d'explosion durant l'installation. Les nettoyants à PVC, les apprêts et les colles peuvent dégager des vapeurs explosives. Ces émanations plus lourdes que l'air peuvent s'accumuler dans le réservoir. La chaleur dégagée lors du soudage des tuyaux en cuivre ou autre métal peut allumer ces vapeurs et causer une violente explosion. Si l'appareil doit être raccordé à un tuyau d'évacuation ou à un évent en cuivre, il faut laisser tous les joints en PVC collés sécher pendant au moins 24 heures. Il faut retirer le couvercle d'accès afin de bien ventiler la pompe déchiqueteuse avant de souder les tuyaux en cuivre situés à proximité de l'appareil.

## ⚠ AVERTISSEMENT

- Ne pas utiliser cette pompe déchiqueteuse dans de l'eau dont la température est supérieure à 60 °C (104° F)
- Ne pas soulever la pompe déchiqueteuse par le cordon électrique.
- **Ne pas utiliser de soupape d'admission d'air ou de système d'évent mécanique à ressort.**

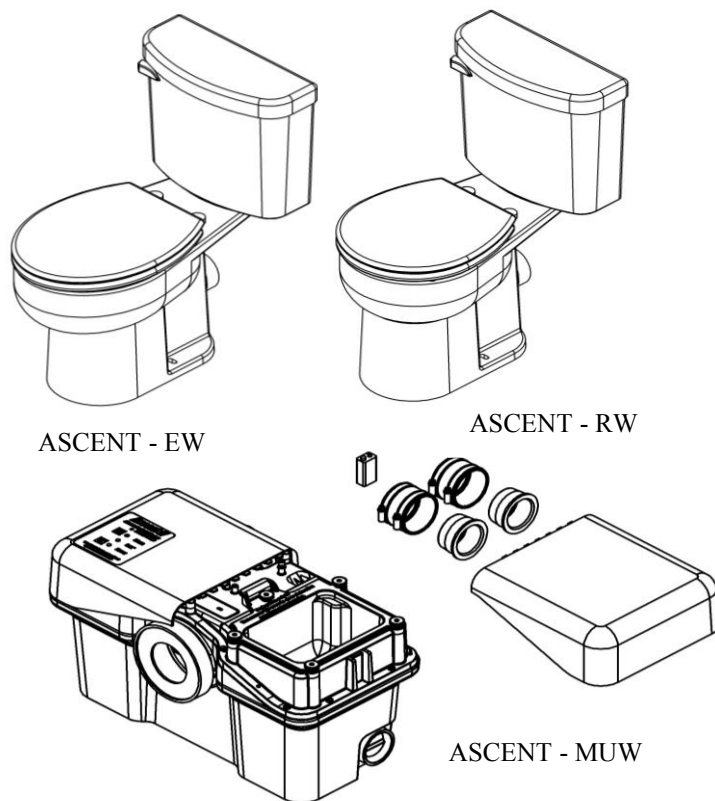
### 1-1 INSPECTION SUR RÉCEPTION

Le modèle Ascent II est expédié en 3 emballages distincts : le réservoir de toilette (modèle Ascent II - TW), la cuvette (modèle Ascent II - RW ou EW) et la pompe déchiqueteuse (modèle : Ascent II - MUW). Les contenants d'expédition doivent être immédiatement inspectés afin de s'assurer qu'aucun dommage ne s'est produit au cours de l'expédition. Faire attention lors de l'ouverture du contenant d'expédition afin d'éviter d'endommager son contenu. Retirer tout matériel de calage et d'emballage des contenants.

Avant de jeter le matériel de calage, vérifier s'il ne s'y trouve pas de petites pièces. Inspecter visuellement la pompe déchiqueteuse et toute pièce de rechange afin de s'assurer que celles-ci ne comportent aucun dommage. Inspecter les cordons électriques pour voir s'ils sont endommagés, particulièrement à l'endroit où ils sortent du réservoir de la pompe déchiqueteuse. Signaler tout dommage ou toute pièce manquante à Liberty Pumps au 1 800 543-2550.

Liste des pièces incluses :

- Cuvette
- Réservoir de toilette
- Pompe déchiqueteuse
  - Réservoir de déchiquetage
  - Raccordement en caoutchouc avec colliers
  - Raccords de réduction
  - Pile 9 volts
  - Clé Allen : 3/16 po
  - Sachet de graisse



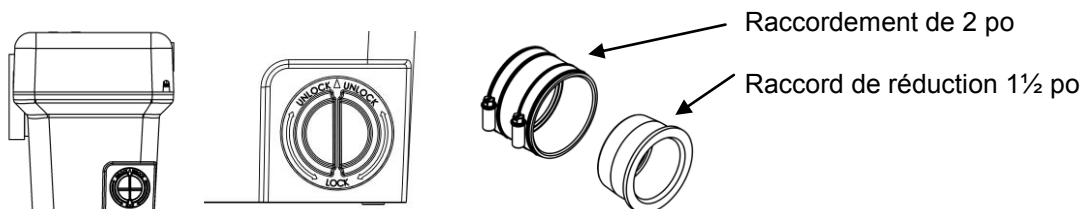
## 1-2 ENTREPOSAGE AVANT UTILISATION

Les produits Liberty sont expédiés de l'usine prêts à être installés et utilisés. S'il est nécessaire d'entreposer la pompe, celle-ci doit demeurer dans son contenant d'expédition. Elle doit être rangée dans un entrepôt ou une remise, dans un endroit propre et sec dont la température est stable. La pompe ainsi que l'emballage devraient être recouverts afin de les protéger de l'eau, de la poussière et de la saleté.

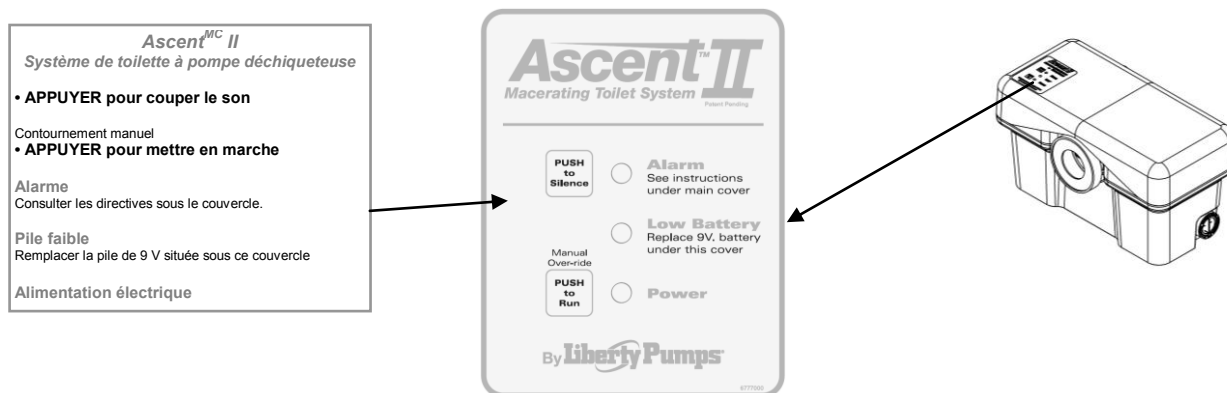
**IMPORTANT :** Après installation, ne pas laisser la pompe geler. Si la température ambiante du bâtiment risque de descendre sous le point de congélation durant l'hiver, s'assurer que l'eau est évacuée de l'appareil de déchetage et de la cuvette avant de fermer la maison. Le réservoir doit être adéquatement préparé pour l'hiver et rempli d'antigel à plomberie afin de le protéger contre le gel. La pile doit également être débranchée.

## 2. Introduction

- 2-1 SYSTÈME DE BROUAGE :** En plus d'une toilette à évacuation arrière, ce système à pompe déchiqueteuse est conçu pour recevoir les eaux usées de plusieurs appareils sanitaires, comme un évier, une douche, une baignoire ou un urinoir (appareils d'une même salle de bain). Cependant, on ne peut y raccorder qu'une seule toilette.
- 2-2 UTILISATION :** Le système de broyage est conçu pour disposer des excréments humains, du papier hygiénique et de l'eau. Il n'est pas destiné à recevoir des déchets de cuisine ni des eaux usées provenant d'appareils munis d'une pompe comme le lave-vaisselle ou le lave-linge. Ce produit n'est pas conçu pour vider des piscines ou cuves thermales.
- 2-3 TOILETTE :** La toilette fonctionne comme une toilette à chasse d'eau conventionnelle et ne requiert aucun entretien particulier si on l'utilise normalement. On peut utiliser tous les produits nettoyants standard comme avec une toilette conventionnelle.
- 2-4 AMÉNAGEMENT DE LA SALLE DE BAIN :** Les appareils sanitaires raccordés au système de déchetage doivent être situés au même étage.
- 2-5 ENTRÉES AUXILIAIRES :** La pompe déchiqueteuse est munie de deux prises, une de chaque côté. Ces entrées sont conçues pour accueillir des tuyaux de PVC standard. Deux raccords souples en PVC et deux adaptateurs de 1½ sont fournis avec le système. Ces entrées, qui sont dotées d'un clapet antiretour interne, servent à raccorder les conduits d'évacuation d'autres appareils sanitaires à la pompe déchiqueteuse. Généralement, le tuyau d'évacuation de 2 po est utilisé uniquement pour les douches. Les baignoires seules ou avec une douche, ainsi que les éviers sont raccordés à une canalisation d'évacuation de 1½ po. Les prises auxiliaires sont bouchées en usine. Il est donc nécessaire de retirer le bouchon avant de les utiliser. Le bouchon s'enlève en le tournant jusqu'à ce que la nervure se retrouve en position verticale, puis en le tirant vers l'extérieur. Il peut être nécessaire d'utiliser une pince si l'appareil a été entreposé pendant un certain temps.



- 2-6 BAINOIRES ET DOUCHES :** On peut utiliser n'importe quelle baignoire jusqu'à 379 litres ou une douche normale. Le cas échéant, il est recommandé de construire une plateforme de 20,32 cm (6 po) de hauteur sur laquelle placer l'accessoire. Cela fournit suffisamment d'espace pour installer un siphon et prévoir une pente vers les entrées auxiliaires de la pompe déchiqueteuse. Les fabricants de douches offrent parfois une base de douche préfabriquée. **REMARQUE :** C'est la distance entre le siphon de l'accessoire supplémentaire et la pompe déchiqueteuse qui détermine le dégagement nécessaire pour installer le siphon et l'élévation requise pour assurer une pente minimum de 21 mm au mètre (¼ po au pied).
- 2-7 FONCTIONNEMENT :** Le système de déchetage se met automatiquement en marche lorsqu'on actionne la chasse de la toilette ou qu'un accessoire évacue de l'eau. Il s'arrête automatiquement lorsque tout le contenu a été pompé. Cette période de fonctionnement varie selon le débit et la source. Consulter la section 2-9 pour une description des cycles normaux de fonctionnement.
- 2-8 INTERFACE UTILISATEUR :** La pompe déchiqueteuse est munie d'une interface utilisateur (panneau tactile avec DEL) située du côté supérieur gauche de l'appareil. Ce panneau comprend trois voyants DEL : VERT, qui indique que l'appareil est alimenté; JAUNE, qui indique qu'il est nécessaire de remplacer la pile de 9 volts et ROUGE, le signal d'alarme. Si l'appareil est incapable d'évacuer le réservoir de son contenu ou qu'il n'est pas en mesure de traiter le débit qui entre, le voyant rouge s'allume et un signal d'alarme se fait entendre. Le panneau possède deux touches : une touche à appuyer pour couper l'alarme sonore et une touche à appuyer pour contourner l'interrupteur interne et faire fonctionner manuellement la déchiqueteuse et la pompe.



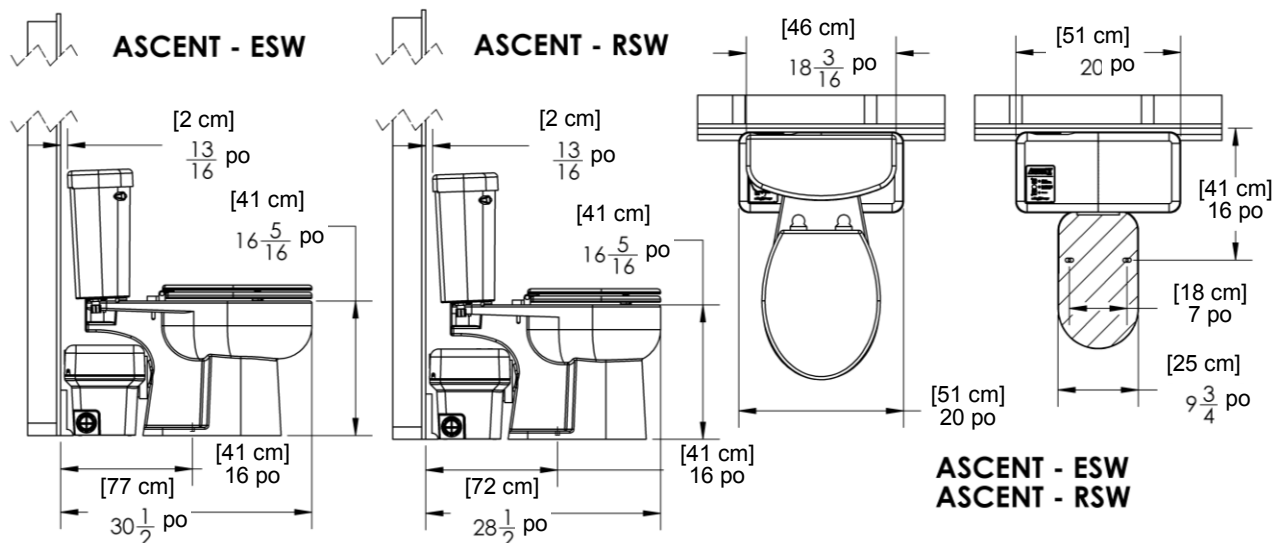
- 2-9 CYCLE DE FONCTIONNEMENT NORMAL :** Le commutateur IST de la pompe déchiqueteuse peut distinguer entre divers modes de fonctionnement et il optimise en conséquence la durée d'exécution. La détection avancée de l'exécution actionnera les couteaux dès que l'appareil détectera une activation de la chasse d'eau. Ce faisant, les couteaux tournent à la vitesse maximale (tours/min) avant que le liquide et les résidus atteignent le système de déchiquetage. Il est possible qu'il se produise de très fortes pulsations dans l'appareil pendant une douche ou une vidange de la baignoire parce que la pompe déchiqueteuse pompe à débit plus élevé que le flux qui entre.
- 2-10 ALARME :** La pompe déchiqueteuse possède une alarme intégrée qui se déclenche si l'appareil ne peut éliminer le liquide ou suivre le rythme de l'eau qui entre. Si l'alarme se déclenche, un certain nombre de conditions pourraient se présenter. Prière de consulter le guide de dépannage pour identifier la cause et la solution. Un interrupteur situé sur le panneau tactile de l'interface utilisateur mettra fin à l'alarme sonore. L'alarme lumineuse continuera de fonctionner. Mettre fin à l'utilisation du produit jusqu'à ce que le problème soit identifié et résolu. En cas d'interruption de l'alimentation électrique, une pile de 9 volts fera fonctionner l'alarme. (Remarque : en cas d'interruption de l'alimentation, la pompe déchiqueteuse acceptera au besoin deux chasses d'eau avant l'activation de l'alarme. Ensuite, il faudra s'abstenir d'utiliser l'appareil jusqu'à la reprise de l'alimentation.) L'alarme se réinitialise automatiquement à la reprise du cycle normal. Le témoin jaune sur le panneau tactile à DEL indique la nécessité de remplacer la batterie de 9 volts. L'espérance de vie de la pile fournie est de 5 à 7 ans.
- 2-11 COUVERCLE D'ACCÈS :** La déchiqueteuse possède un couvercle d'accès que l'on peut enlever pour atteindre la cartouche de pompage et de déchiquetage afin de retirer des résidus ou de faire un entretien. Une fois le couvercle décoratif et le couvercle d'accès de droite enlevés, on peut glisser la cartouche vers l'ouverture pour libérer l'accès au panier et au mécanisme de coupe. On peut remplacer au besoin les lames de tout le dispositif de coupe. Consulter la section 4-3 de ce manuel portant sur l'entretien pour obtenir des directives détaillées.

## 3. Installation

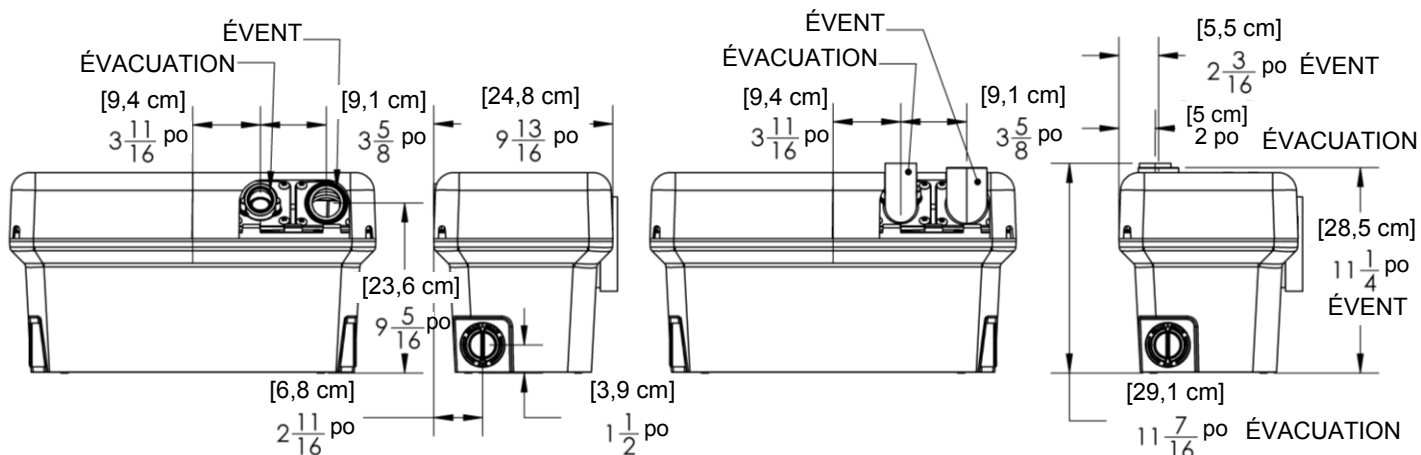
- **REMARQUE :** Toutes les installations doivent être conformes aux règlements fédéraux, provinciaux et municipaux. Il est recommandé que l'installation soit faite par un installateur agréé ou qualifié. Ne pas utiliser de soupape d'admission d'air ou de système d'évent mécanique à ressort.

### 3-1 La configuration de la salle de bain doit être déterminée avant l'installation.

- S'assurer que la source d'alimentation électrique (prise protégée par un disjoncteur de fuite de terre différentiel) se trouve à la portée du cordon d'alimentation de 2,43 m (8 pi). La sortie du cordon peut être configurée pour se trouver à gauche ou à droite de l'appareil. Ne pas utiliser de rallonge. Si la sortie du cordon est du côté gauche de la pompe déchiqueteuse, il est nécessaire de retirer la bride de ventilation pour qu'il puisse circuler entre les agrafes de fixation. Réinstaller la bride de ventilation après avoir établi le parcours du cordon.
- Si possible, le côté droit de la pompe déchiqueteuse doit demeurer libre. Un couvercle d'accès sous le couvercle décoratif permet d'atteindre le mécanisme de coupe. En cas de blocage, il faudra retirer le couvercle décoratif de même que celui de l'accès à la déchiqueteuse afin de bénéficier de plus d'espace.
- Les orifices d'entrées auxiliaires sont situés de chaque côté vers l'arrière du réservoir de la pompe déchiqueteuse. Ces orifices peuvent recevoir des eaux usées de l'évier ou de la baignoire/douche.
- Une rallonge d'évacuation facultative permet d'installer la pompe déchiqueteuse derrière un mur. Par exemple, on peut le placer sur le sol d'une lingerie ou d'une pièce de rangement. NE PAS encastrent complètement l'appareil dans un mur. On doit y avoir accès en tout temps.
- La pompe déchiqueteuse dispose d'une évacuation Quickflip<sup>MC</sup> et de brides de ventilation que l'on peut orienter en position verticale ou horizontale pour mieux s'adapter à l'installation.
- Un évier doit être raccordé à l'une des entrées auxiliaires et non à la ligne d'évacuation de la pompe déchiqueteuse même si les élévations le permettaient. La ligne d'évacuation est pressurisée et le système de plomberie doit s'y accommoder.
- La canalisation d'alimentation du réservoir de la toilette est située sur le côté gauche. Lors de la mise en place, prévoir suffisamment d'espace pour la pompe déchiqueteuse.
- Les longs parcours descendants de tuyaux d'évacuation ou la tuyauterie dont le point de décharge est plus bas que la pompe déchiqueteuse doivent être conçus de manière à empêcher que le contenu du réservoir de déchiquetage soit siphonné.
- Dimension de mise en place des canalisations : les attaches de la toilette doivent être situées à 41 cm (16 po) et être espacées de 17,78 cm (7 po). Cela implique une plinthe de 19 mm (¾ po) x 12 cm (5,5 po) avec un quart-de-rond de 19 mm (¾ po). On doit tenir compte des dimensions réelles de la plinthe durant l'installation; aussi, les dimensions de mise en place peuvent varier.

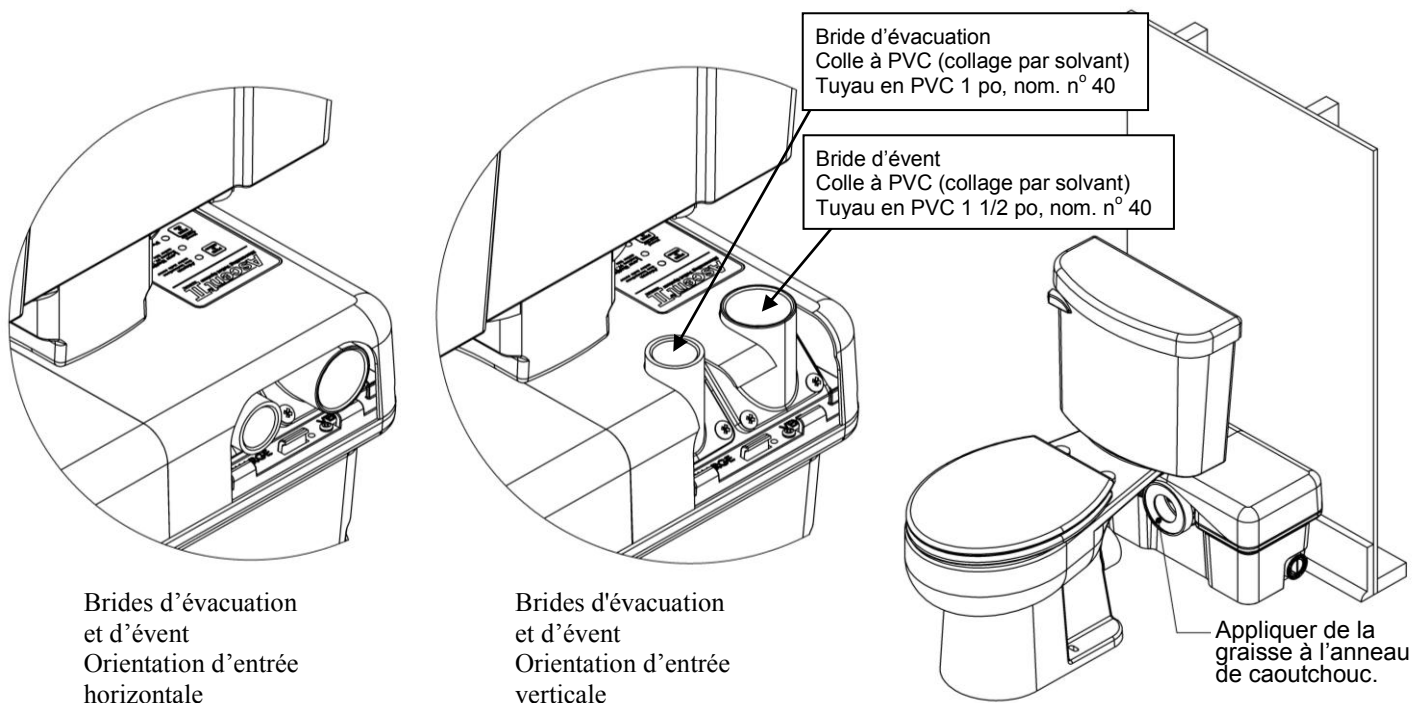






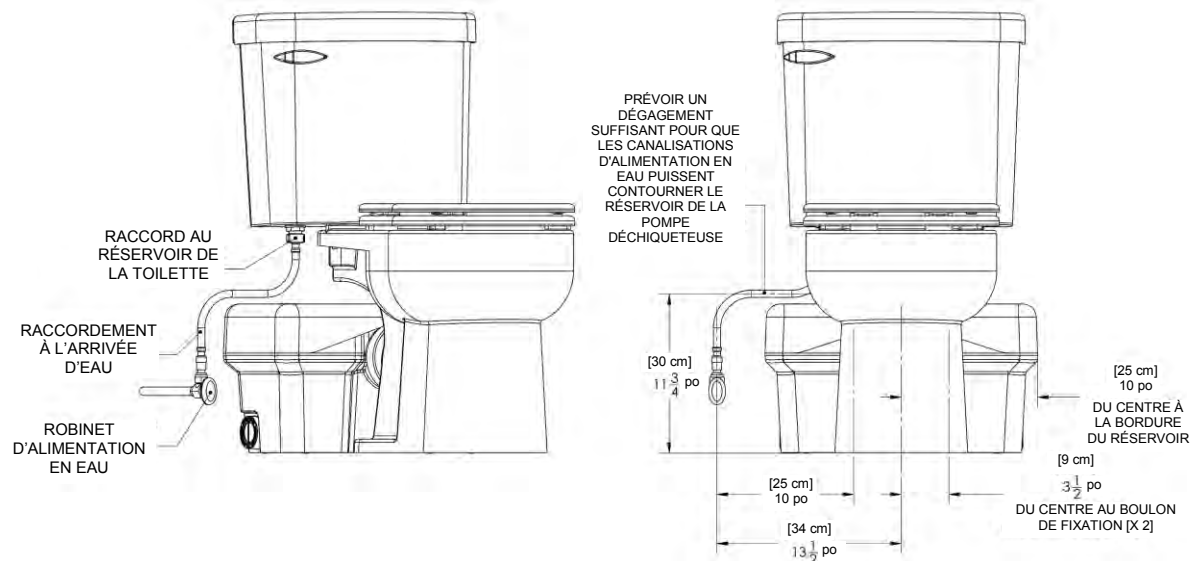
### 3-2 PRÉPARATION EN VUE DE L'INSTALLATION DE LA POMPE DÉCHIQUETEUSE

- 3-2-1** Les couvercles décoratifs sont installés en usine et livrés en place sur l'appareil. Cependant, il est nécessaire de retirer les deux couvercles de l'appareil durant l'installation. On peut trouver, dans le creux du couvercle d'accès, des adaptateurs d'entrées auxiliaires, une clé Allen, un sachet de graisse, de la quincaillerie et une pile de 9 volts.
- 3-2-2** Les entrées auxiliaires devraient être raccordées à l'aide des raccords fournis et/ou d'un raccord de réduction s'il s'agit d'un tuyau standard de 2 po ou 1½ po, nomenclature 40. Le bouchon doit être enlevé en le tournant jusqu'à ce que la nervure se retrouve en position verticale, puis en le tirant vers l'extérieur, il est possible que des pinces soient nécessaires si l'appareil a été entreposé.
- 3-2-3** Les brides d'évacuation et de ventilation sont expédiées de l'usine en position horizontale. Si l'installation permet une position verticale, les quatre vis doivent être enlevées de chaque bride afin de modifier l'orientation. Il faudra modifier le couvercle décoratif à l'aide d'une scie cylindrique et de cisailles pour enlever le matériel. Un gabarit est fourni au dos du couvercle décoratif.
- 3-2-4** Lors du raccordement de la toilette à la déchiqueteuse, appliquer d'abord un peu de graisse de silicone (sachet fourni) au pourtour du joint d'étanchéité de ce dernier. Cela favorisera une installation très simple et en douceur.



### 3-3 MONTAGE DU SYSTÈME

- 3-3-1** Schémas : installations types. Consulter ces schémas au besoin durant l'installation. Les normes d'installation peuvent varier, conformément aux codes de plomberie et d'électricité locaux. L'orientation des tuyaux d'évacuation et d'évent peut également varier selon l'installation.
- 3-3-2** Placer la pompe déchiqueteuse à l'endroit désiré et raccorder toutes les conduites d'eaux usées aux entrées et sorties de l'appareil. Le côté du réservoir qui n'est raccordé à aucune arrivée d'eau doit être appuyé contre le mur, afin de s'assurer de bien placer la toilette.



- 3-3-3 Assembler la toilette en suivant les directives des manuels d'installation qui l'accompagnent. Resserrer les attaches avec soin afin de ne pas faire craquer la porcelaine.
- 3-3-4 Pour fixer la toilette à un plancher de béton, percer deux trous d'environ 5,7 cm (2¼ po) de profondeur à l'aide d'une mèche à maçonnerie de 5/16 po. Insérer les bouchons de plastique dans les orifices. Si le plancher est en bois, faire des trous de guidage à l'aide d'une mèche de ¼ po. Attaches non inclus.
- 3-3-5 Placer la toilette devant le réservoir de la pompe déchiqueteuse et appliquer de la graisse de silicone sur le joint d'étanchéité du réservoir. Glisser ensuite l'emboîtement d'évacuation de la toilette sur l'anneau d'étanchéité en caoutchouc de la pompe déchiqueteuse.
- 3-3-6 Placer la toilette sur les trous du plancher. Glisser les protecteurs à porcelaine en plastique sur les vis tire-fond en assurant une orientation adéquate. Visser les vis tire-fond (sans trop serrer) et mettre les capuchons à pression en plastique.
- 3-3-7 Raccorder la conduite d'alimentation à la soupape de remplissage située directement sous le levier de la chasse, au fond du réservoir de la toilette.

### 3-4 RACCORDÉMENT AUX BRIDES DE CONDUITES D'ÉVACUATION ET D'ÉVENT

- 3-4-1 La pompe déchiqueteuse possède une bride d'évacuation en PVC avec un clapet de non-retour intégrée que l'on peut configurer selon une orientation verticale ou horizontale. On peut souder au solvant directement à la bride un tuyau standard en PVC de 1 po, nomenclature 40. On recommande d'éviter l'utilisation de quantités excessives de colle. Il est possible de retirer au besoin le clapet de non-retour de la bride. La commande des brides de rechange se fait sur le site Web <http://www.libertypumps.com/Service/ReplacementParts/>.
- 3-4-2 L'installation d'un robinet-vanne ou clapet à bille à passage intégral et un raccord union dans le tuyau d'évacuation est recommandée de manière à faciliter le retrait de la pompe déchiqueteuse ou à faire un entretien au besoin. De plus, nous recommandons aussi un point de dégorgeement pour permettre le drainage de la tuyauterie d'évacuation, au besoin.
- 3-4-3 La pompe déchiqueteuse dispose d'une bride de ventilation en PVC que l'on peut configurer selon une orientation verticale ou horizontale. On peut souder au solvant directement à la bride un tuyau standard en PVC de 1 1/2 po, nomenclature 40.
- 3-4-4 La pompe déchiqueteuse doit être ventilée pour favoriser un rendement adéquat de la chasse d'eau. Selon l'installation, le produit devrait être branché soit à la colonne de ventilation primaire de l'habitation, soit ventilé (raccordé) directement à l'extérieur.
- 3-4-5 **\*\*\*Ne pas utiliser de soupape d'admission d'air ou de système d'évent mécanique à ressort**, car il s'agit d'événements unidirectionnels. La pression atmosphérique doit être égale à l'intérieur et à l'extérieur du réservoir. Un « faux » évent empêche la circulation de l'air dans une direction et nuit au fonctionnement de la toilette.
- 3-4-6 La pompe déchiqueteuse n'est pas conçue pour supporter le poids des conduites d'évacuation et d'évent. Il est donc nécessaire de prévoir des supports à tuyaux adéquats.

### 3-5 RACCORD AU TUYAU DE CHUTE OU À L'ÉGOUT

- 3-5-1 La pompe déchiqueteuse possède une hauteur de chute maximum (hauteur géométrique d'aspiration maximum) de 11 m (36 pi). Il est important de tenir compte des pertes de friction attribuables aux parcours horizontaux et aux coudes. Le débit minimum d'un tuyau de 1 po en PVC, nomenclature 40 est de (19 l/min (5 gal/min) comparativement à 11 l/min (3 gal/min) pour un tuyau en PVC de ¾ po. Si un conduit vertical est nécessaire, il doit précéder tout parcours « horizontal » et partir le plus près possible de la pompe déchiqueteuse. L'orientation du parcours horizontal ne peut être modifiée à la verticale par la suite.

**REMARQUE : Les pertes de friction attribuables aux parcours horizontaux sans une pente descendante de ¼ po (6 mm) réduisent l'élévation verticale que le système peut supporter. Consulter les sections 3-5-2 et 3-5-3. Consulter le fabricant pour connaître les dimensions adéquates en cas de parcours long ou comprenant plusieurs coudes. Téléphone : 1 800 543-2550**

- 3-5-2 Le tuyau d'évacuation peut être fait de PVC de ¾ po ou de 1 po de diamètre. Utiliser des angles les plus larges possible plutôt que des coudes. Le raccord au tuyau de chute ou à l'égout doit être effectué avec un connecteur en Y approuvé.

**3-5-3** Lorsque la pompe aspire à la verticale et à l'horizontale, une charge ascensionnelle de 91 cm (3 pi) correspond à 9,1 m (30 pi) de parcours horizontal. Chaque angle ou changement de direction provoque une chute de pression, qui doit être déduite des données sur le rendement de l'évacuation. On estime une perte de charge ascensionnelle de 91 cm (3 pi) par angle de 90°.

Par exemple : 1 po, nom. 40 est utilisé pour l'évacuation. Il parcourt 30,48 cm (1 pi) à l'horizontale, tourne à 90° et s'élève de 1,52 m (5 pi) à la verticale. Son parcours est ensuite à l'horizontale avec un autre virage à 90° (3 virages en tout) avant d'être raccordé au tuyau de chute. Voir l'illustration ci-dessous.

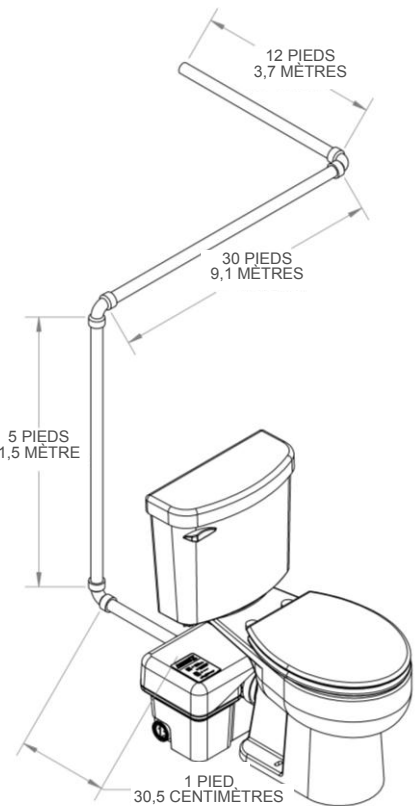
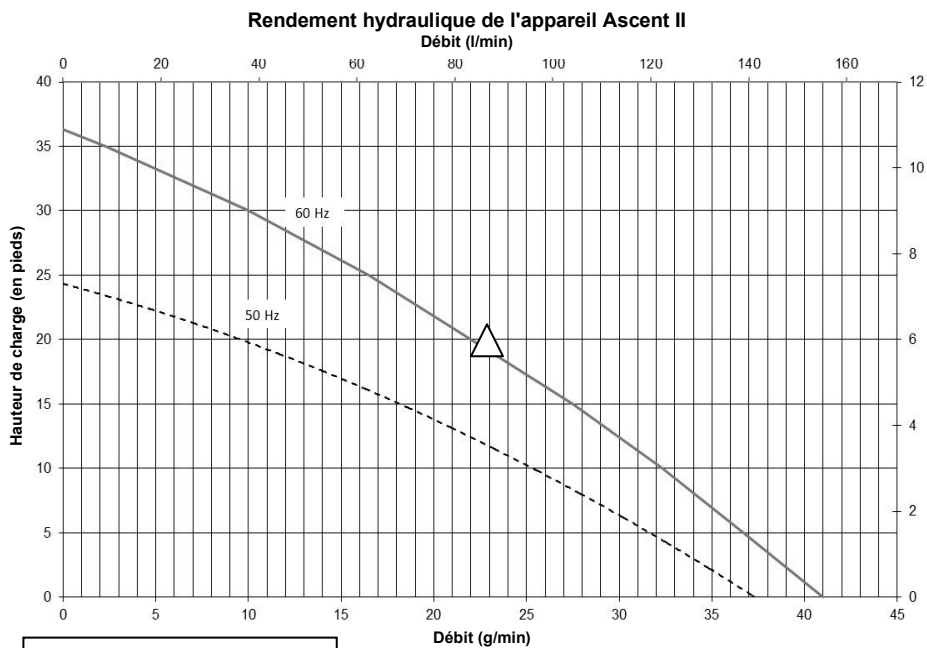
Calculs :

Charge ascensionnelle totale : 1,52 m (5 pi) → 1,52 m (5 pi) à la verticale

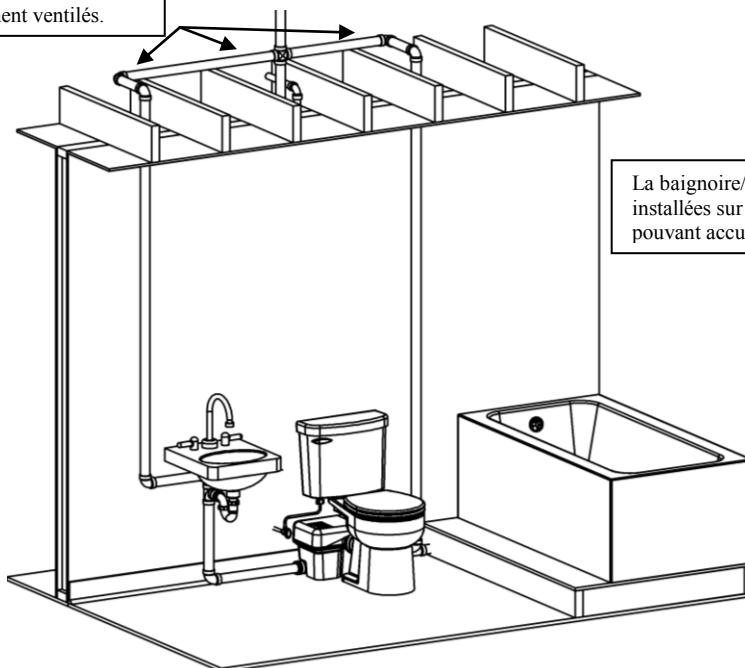
Parcours horizontal total : 13,11 m (43 pi) → 1,31 m (4,3 pi) à la verticale

Total de 3 coudes de 90° → 2,74 m (9 pi) à la verticale

En additionnant les trois, nous obtenons une charge ascensionnelle totale de 5,58 m (18,3 pi). Selon la courbe de rendement ci-dessous, l'appareil fournira un débit de 87,08 l/min (23 gal/min).



Tous les accessoires doivent être adéquatement ventilés.



La baignoire/la douche doivent être installées sur un tuyau d'évacuation pouvant accueillir le récupérateur

### 3-6 RACCORDEMENT À L'ALIMENTATION ÉLECTRIQUE

**3-6-1** Tout le câblage électrique doit être conforme aux codes de l'électricité en vigueur. Ce système de pompe déchiqueteuse nécessite une alimentation monophasée raccordée à une prise protégée par un disjoncteur de fuite de terre (différentiel). La prise doit être installée conformément aux codes de l'électricité locaux et provinciaux en vigueur. On recommande de placer la prise à une distance d'au moins 102 cm (40 po), en ligne droite, de la douche ou de la baignoire. Si l'installation est située dans un sous-sol, la prise doit être située à au moins 1,21 m (48 po) au-dessus du sol.

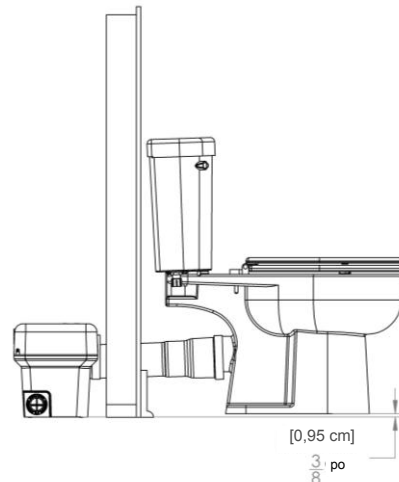
**3-6-2** Si le réceptacle de l'alimentation électrique (prise) se trouve à proximité de la pompe déchiqueteuse, le cordon supplémentaire d'alimentation peut être enroulé et logé dans un vaste creux prévu dans le couvercle d'accès qui est situé sous le couvercle décoratif de droite.

#### **⚠ MISE EN GARDE**

**Danger d'électrocution. Cette pompe est fournie avec une fiche de branchement de type mise à la terre. Afin de réduire les dangers d'électrocution, s'assurer que la pompe est raccordée à une prise correctement mise à la terre.**

### 3-7 TUYAU DE RALLONGE

**3-7-1** Pour installer la pompe déchiqueteuse derrière un mur, il est nécessaire d'utiliser une trousse de rallonge de tuyau n° K001184 de Liberty (vendue séparément). La trousse comprend une rallonge de tuyau de 47,6 cm (18,75 po), une bride de serrage décorative et un sachet de graisse. Des anneaux d'étanchéité de caoutchouc terminent les deux extrémités du tuyau de rallonge. **Afin de prévenir le déchirement, toujours appliquer de la graisse sur les deux anneaux d'étanchéité avant d'installer le tuyau.** Glisser la bride de serrage décorative par-dessus le tuyau. Aucune attache n'est requise pour installer le tuyau. Glisser la rallonge de tuyau sur le raccord d'évacuation de la toilette, puis insérer le tuyau dans la pompe déchiqueteuse. Pour terminer l'installation, fixer la toilette au sol et sécuriser la tuyauterie d'évacuation et de ventilation de la pompe déchiqueteuse. Pour un rendement adéquat de la chasse d'eau, s'assurer que la base de la toilette ne se situe pas sous la base de la pompe déchiqueteuse. À l'aide d'un niveau, s'assurer que la rallonge de tuyau ne présente pas d'inclinaison ou encore que celle-ci est dirigée vers la pompe déchiqueteuse et en direction opposée de la toilette.



**3-7-2** Liberty recommande de n'utiliser qu'une seule rallonge.

### 3-8 CONSEILS D'INSTALLATION

**3-8-1 SUPPORTS À TUYAU :** L'ensemble de la tuyauterie sanitaire doit être soutenu conformément aux recommandations d'installation du fabricant. Éviter les affaissements et les rétrécissements qui peuvent causer l'accumulation de résidus solides et une éventuelle obstruction.

**3-8-2 ANGLES :** Utiliser des angles longs lorsque c'est possible. Ne pas utiliser de coudes courts. S'il est impossible d'installer un coude de 90° à grand rayon, utiliser deux coudes de 45° pour effectuer un virage de 90°.

**3-8-3 CANALISATIONS VERTICALES D'ABORD :** Si une élévation verticale est nécessaire, elle doit précéder le parcours horizontal.

**3-8-4 BATTERIE :** La batterie doit être installée **APRÈS** que la pompe déchiqueteuse a été raccordée à l'alimentation électrique de CA. Le non-respect de cette procédure pourrait occasionner le mauvais fonctionnement de l'appareil.

**3-8-5 DIRECTEMENT VERTICAL :** Toutes les sections verticales doivent s'élever le plus près possible de l'appareil, laissant uniquement l'espace de dégagement nécessaire pour le réservoir de la toilette. La longueur de tout parcours horizontal initial ne doit pas dépasser 30,5 cm (12 po).

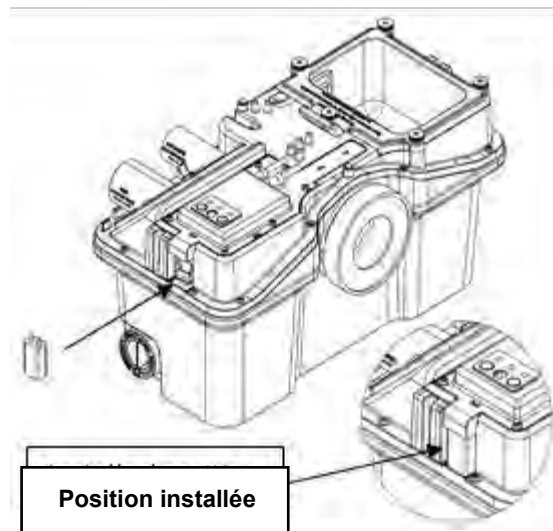
**3-8-6 AUCUN PARCOURS ASCENDANT DIAGONAL :** Toute la tuyauterie d'évacuation de l'appareil doit être installée à la verticale ou à l'horizontale (une pente minimum de 21 mm au mètre (¼ po au pied) au point d'évacuation. La tuyauterie ne doit jamais être installée de l'appareil au point d'évacuation avec une pente ascendante diagonale.

**3-8-7 ACCÈS FACILE :** L'appareil doit être accessible et on doit pouvoir le retirer au cas où il serait nécessaire de le réparer. Durant l'installation, il est nécessaire de mettre en place un clapet à bille à passage intégral à proximité de la bride du tout tuyau d'évacuation de manière à faciliter l'accès à l'appareil en cas de besoin.

**3-8-8 PENTE DESCENDANTE :** L'appareil reçoit les eaux usées par gravité; il n'aspire pas l'eau. Tous les conduits d'arrivée d'eau doivent avoir une pente descendante minimum de 21 mm au mètre (¼ de po au pied). Tous les conduits horizontaux sortant de la pompe déchiqueteuse doivent également avoir une pente descendante minimum de 21 mm au mètre (¼ de po au pied) afin de permettre l'écoulement de l'eau lorsque la pompe s'arrête.

**3-8-9 RACCORDEMENT AU TUYAU DE CHUTE :** Tous les conduits d'évacuation doivent être reliés au tuyau de chute à l'aide d'un raccordement approprié et approuvé, par exemple un T ou un Y.

**3-8-10 TUYAUTERIE :** Toute la tuyauterie doit être en cuivre, en PVC ou en CPVC. Ne pas utiliser de tuyaux souples. Des supports doivent être disposés à 1,3 m (4 pi) ou moins les uns des autres afin de prévenir la vibration des tuyaux.



- 3-8-11 CHASSE D'EAU :** La pompe déchiqueteuse est conçue pour fonctionner avec une toilette à faible débit (4,55 litres (1,28 gallon) par chasse d'eau).
- 3-8-12 SORTIE :** Ne jamais évacuer les résidus directement dans un avaloir ouvert, un appareil sanitaire, un trou d'homme ou un tuyau d'écoulement d'eau de pluie. C'est illégal et cela constitue une menace pour la santé. Seul un raccordement direct à un système d'évacuation sanitaire est acceptable.
- 3-8-13 GEL :** S'assurer que toute la tuyauterie exposée au gel est convenablement isolée ou chauffée. Dans les bâtiments non chauffés, la toilette, la tuyauterie et la pompe déchiqueteuse doivent être adéquatement hivérissées. Utiliser de l'antigel de plomberie ou vidanger entièrement.
- 3-8-14 ÉLECTRICITÉ :** Ce système de pompe déchiqueteuse doit être raccordé à un disjoncteur de fuite de terre (différentiel). Débrancher l'alimentation électrique de l'appareil avant d'entreprendre tous travaux d'entretien ou de réparation.
- 3-8-15 DOUCHE :** La hauteur de l'eau dans le réservoir de la pompe déchiqueteuse sera de 10,16 cm (4,25 po) avant que l'appareil commence à pomper. Le plancher de la douche doit se trouver bien au-dessus de ce niveau. Liberty recommande entre 15 et 20 cm (6 et 8 po) pour assurer une vidange adéquate de la douche et éviter tout refoulement d'eau.

## 4. Fonctionnement

### 4-1 ACTIVATION DE L'APPAREIL

- 4-1-1** S'assurer que la toilette et le réservoir ont été assemblés conformément aux directives qui l'accompagnent.
- 4-1-2** S'assurer que les robinets-vannes ou clapets à bille sont ouverts (plein débit) dans la conduite d'évacuation.
- 4-1-3** Ouvrir la soupape d'arrêt principale et laisser le réservoir de la toilette se remplir. Vérifier s'il y a des joints qui fuient et assurez-vous que les toilettes remplissage flotteur de soupape et la soupape de chasse fonctionnent librement.
- 4-1-4** S'assurer que la pompe déchiqueteuse est munie de ses deux couvercles décoratifs et qu'elle est raccordée et alimentée en électricité. Le témoin lumineux vert devrait s'allumer. Si le témoin vert clignote, vérifier si les couvercles décoratifs sont bien installés.
- 4-1-5** Déposer quelques feuilles de papier de toilette dans la cuvette et actionner la chasse. Il ne devrait pas rester de papier dans la cuvette après l'activation de la chasse d'eau. Répéter l'opération plusieurs fois.
- 4-1-6** La chasse d'eau de la toilette ou la hauteur de l'eau dans le réservoir actionnent le système de commutation adaptatif de la pompe déchiqueteuse. L'appareil démarrera peu de temps après que l'on aura actionné la chasse d'eau de la toilette ou que l'eau du réservoir aura atteint une profondeur de 10,16 cm (4,25 po). La durée de l'opération variera selon l'installation. Noter que la pompe déchiqueteuse peut ne pas fonctionner immédiatement lors de l'utilisation de l'évier.

### 4-2 MISES EN GARDE

- 4-2-1** Le système de déchiquetage est conçu pour disposer d'excréments humains et de papier hygiénique.
- 4-2-2** Ne pas jeter des acides, bases, solvants, huiles, peintures, décapants, déchets d'aliments ou cotons-tiges dans la cuvette. Les nettoyeurs pour cuvette offerts en vente libre ne causeront normalement pas de dommages à la pompe déchiqueteuse. On pourrait fermer la pompe déchiqueteuse pendant le nettoyage ou lors de l'utilisation d'une ventouse.
- 4-2-3** Ne pas suspendre de blocs de javellisant ou de nettoyeurs à base de chlorhydrate dans le réservoir de la toilette. Il a été démontré que ces solutions détériorent les composants de plastique et néoprène de la chasse et de la soupape de remplissage et peuvent causer des fuites.
- 4-2-4** En cas de panne électrique, on peut actionner la chasse deux fois. L'usage d'appareils sanitaires comme un évier devrait être limité. Ne pas utiliser la douche ou la baignoire pendant que l'appareil de déchiquetage est en panne de pompage tant que l'alimentation n'est pas rétablie.

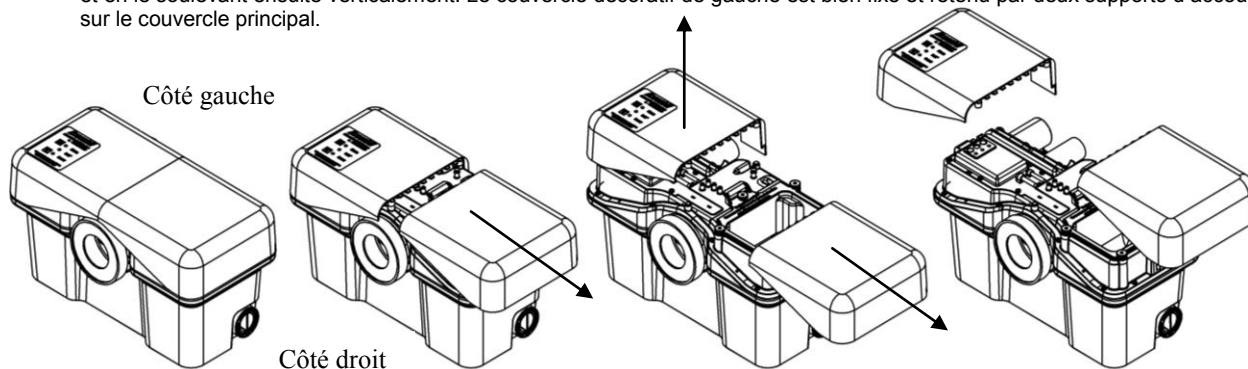
### 4-3 ENTRETIEN

La pompe déchiqueteuse est conçue de manière à ce que tous les composants puissent être réparés ou remplacés au besoin.

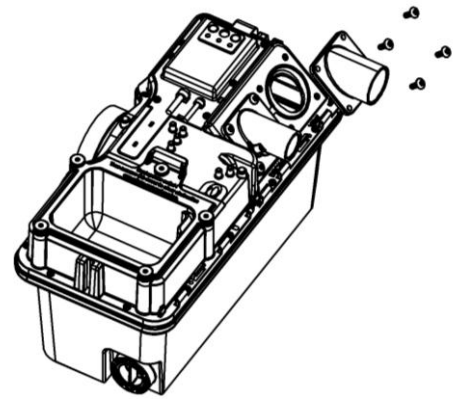
#### **⚠ MISE EN GARDE**

Danger d'électrocution; toujours couper l'alimentation électrique la pompe avant de la manipuler ou d'y effectuer des réglages. Danger de blessure : lames coupantes dans l'appareil; porter des gants de caoutchouc.

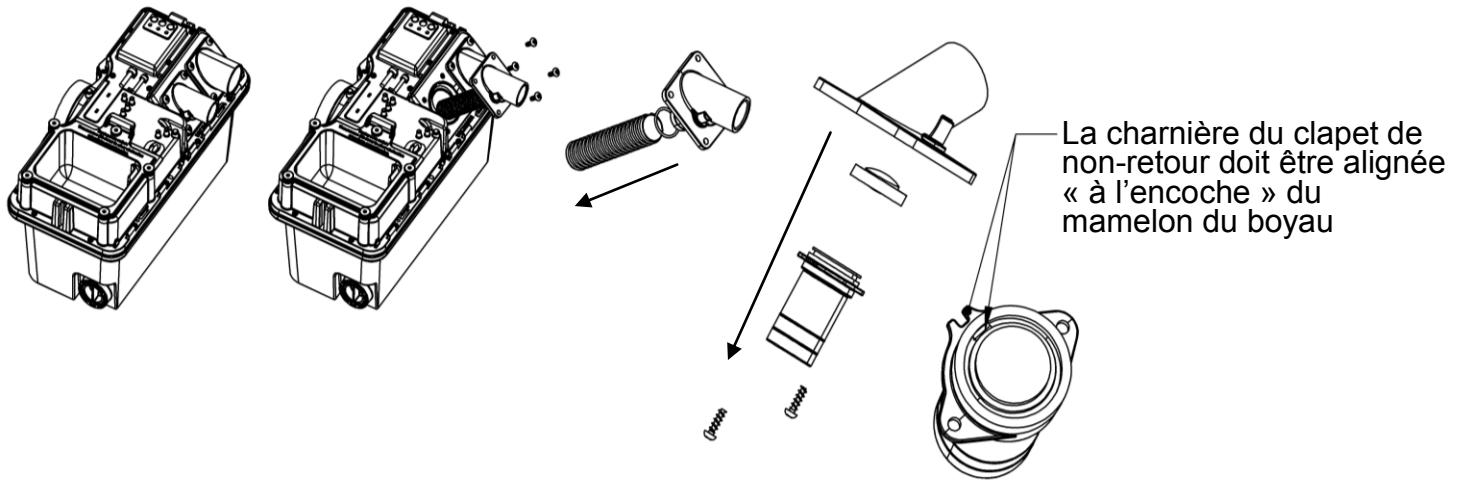
- 4-3-1 Couvercles décoratifs :** Les couvercles décoratifs de gauche et de droite sont tous les deux installés sur le produit et ils sont retenus par de simples agrafes et attaches. On peut enlever le côté droit en le retirant horizontalement de la pompe déchiqueteuse et en le soulevant ensuite verticalement. Le couvercle décoratif de gauche est bien fixé et retenu par deux supports d'accouplement sur le couvercle principal.



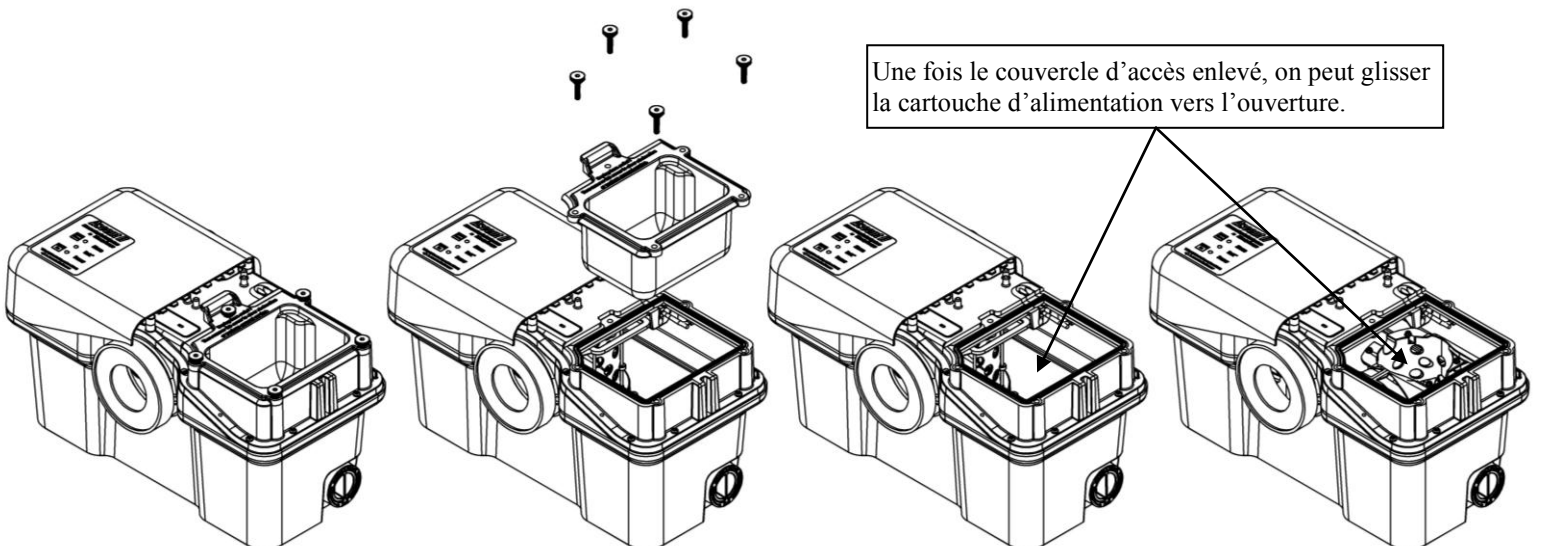
**4-3-2 Brides d'évacuation et de ventilation :** Les brides d'évacuation et de ventilation sont fixées toutes les deux au couvercle principal et peuvent être enlevées en dévissant les quatre fixations et en retirant la bride du couvercle principal.



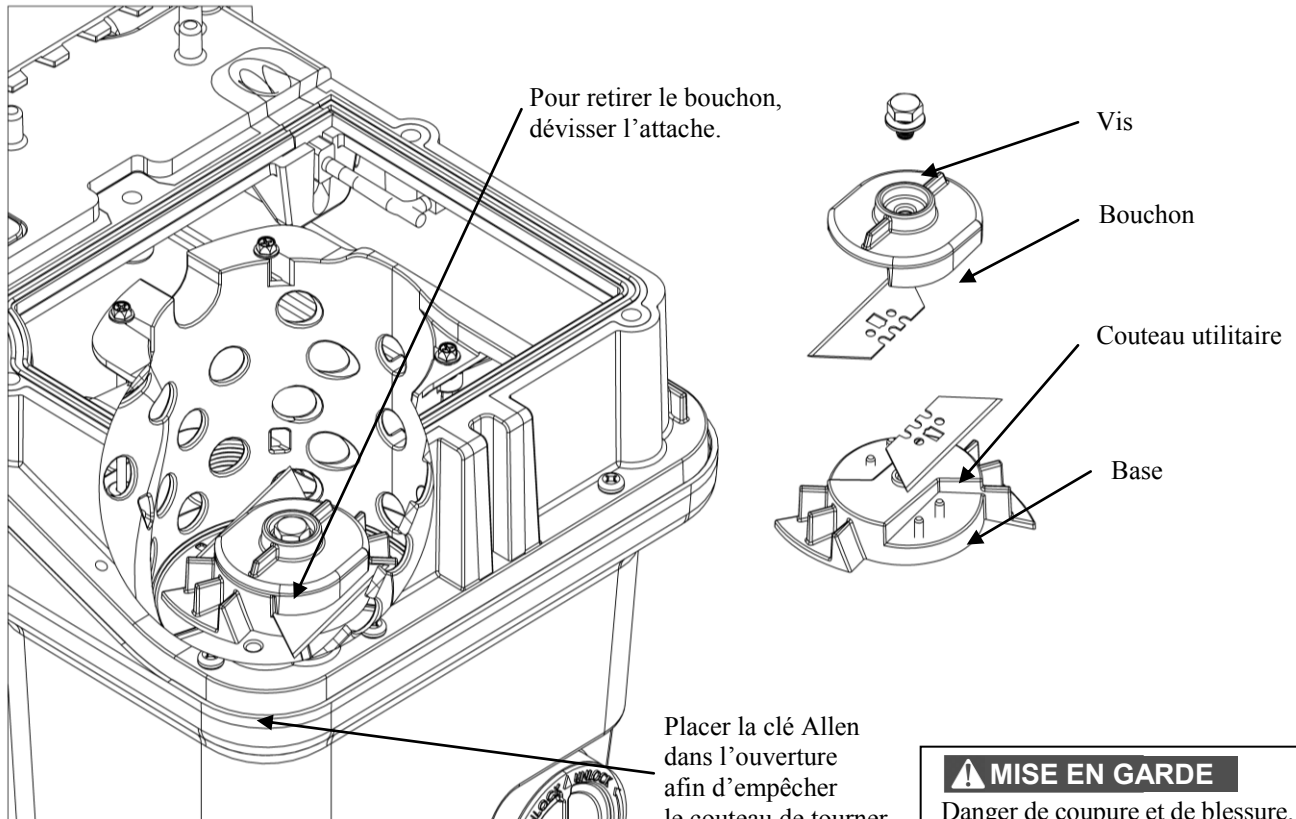
**4-3-3 Clapet antiretour :** La bride d'évacuation possède un clapet de non-retour intégré. Le clapet est retenu par une plaque de fixation qui est également raccordée au boyau d'évacuation. Pour accéder au clapet de non-retour, d'abord retirer la bride d'évacuation du couvercle principal en enlevant les 4 vis. Retirer ensuite le boyau retenu par les deux vis. Le mamelon du boyau peut ensuite être séparé de la bride en le tirant vers l'extérieur. Le clapet de non-retour s'enclenche sur le mamelon du boyau. Lors de la réinstallation, la charnière du clapet de non-retour doit être alignée à l'encoche du mamelon du boyau ou de la plaque de fixation. Après l'installation du mamelon du boyau, s'assurer que le clapet de non-retour s'ouvre complètement.



**4-3-4 Couvercle d'accès :** Le couvercle d'accès est solidement ancré au couvercle principal grâce à cinq pièces de fixation. Utiliser au besoin la clé Allen 3/16 fournie pour desserrer les pièces de fixation. Une fois les vis enlevées, le couvercle d'accès peut être soulevé. Une certaine manipulation peut s'avérer nécessaire si la pompe déchiqueteuse est située directement sous le réservoir de la toilette.



- a) Une fois le couvercle d'accès enlevé, on peut glisser la cartouche d'alimentation vers l'ouverture en tenant la poignée du panier et en tirant vers la droite en direction de l'ouverture. Dans certains cas, les résidus pourraient être bloqués entre le réservoir et le panier. Une certaine manipulation pourrait alors s'avérer nécessaire.
- b) Avec le glissement complet de la cartouche d'alimentation, les couteaux devraient être visibles au centre du panier. À ce moment, on peut enlever tout objet ou remédier à toute obstruction. Les couteaux sont très tranchants et on doit faire preuve de beaucoup de prudence.
- c) Pour remplacer les couteaux, insérer la clé Allen 3/16 (fournie) dans l'un des orifices situés sur le fond du panier. Cela créera une cale qui empêchera la lame de tourner. On peut dévisser la fixation de verrouillage à l'aide d'une douille 7/16 po (traction de ¼ po). Une fois dévissés, on peut enlever la vis et le bouchon en tirant vers le haut, ce qui met à jour les deux lames de rasoir. Liberty Pumps recommande des lames en acier inoxydable, même si n'importe quelle lame de rasoir d'un couteau d'utilité commune avec deux orifices peut être utilisée comme substitut. Lors du remplacement des lames de rasoir, il suffit d'insérer la lame sur les deux goujons. Le bouchon et la vis devraient ensuite être remplacés.
- d) On peut aussi remplacer la base de toute la cartouche de coupe. Après le retrait des lames de rasoir, on peut insérer un tournevis à filets interrompus dans le centre du trou et une fois engagé on peut faire pivoter la base dans le sens contraire des aiguilles d'une montre jusqu'à ce qu'elle soit délogée.



**⚠ MISE EN GARDE**  
 Danger de coupure et de blessure.  
 Faire preuve de prudence en manipulant les couteaux tranchants.

#### 4-3-5 Accessibilité à la cartouche motorisée :

On peut accéder à la cartouche motorisée par le biais de l'ouverture d'accès ou le retrait du couvercle principal.

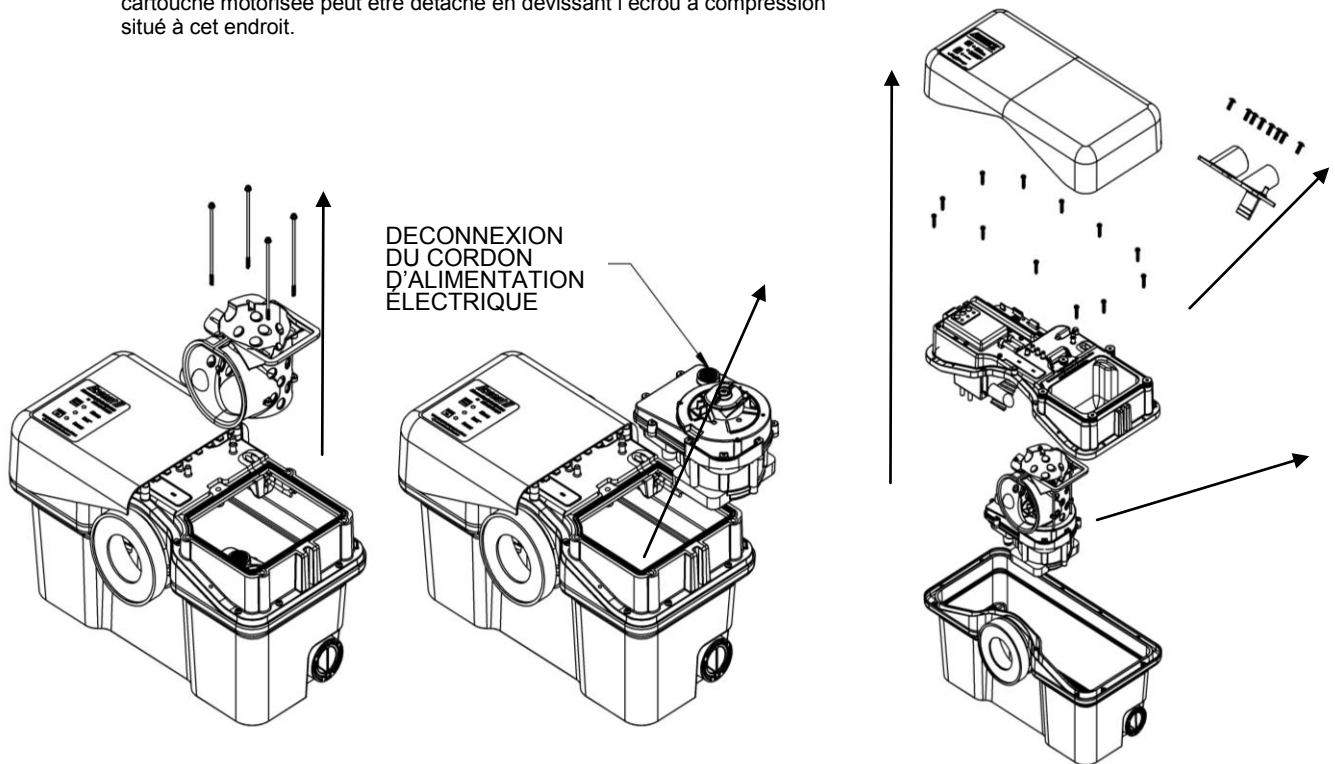
- 1) Retrait de la cartouche d'alimentation par l'ouverture d'accès :

une fois le couvercle d'accès enlevé et le panier glissé vers l'ouverture, les quatre fixations du panier peuvent être dévissées. On peut d'abord enlever le panier par l'ouverture et ensuite la cartouche d'alimentation.

- 2) Retrait de la cartouche d'alimentation par démontage de la pompe déchiqueteuse :

si un clapet à bille était installé dans la ligne d'évacuation, on devrait le fermer pour éliminer la possibilité d'évacuation de déchets du tuyau d'évacuation. Ensuite, on devrait séparer les brides d'évacuation et de ventilation du couvercle principal en enlevant les quatre vis de chacune. On peut ensuite détacher le couvercle principal du réservoir en enlevant les fixations à la périphérie de celui-ci. On peut ensuite soulever le couvercle principal et mettre à jour la cartouche.

Le cordon d'alimentation interne qui va de la boîte d'interruption jusqu'à la cartouche motorisée peut être détaché en dévissant l'écrou à compression situé à cet endroit.



**4-3-6 Élimination du blocage du rotor/ remplacement du rotor :**

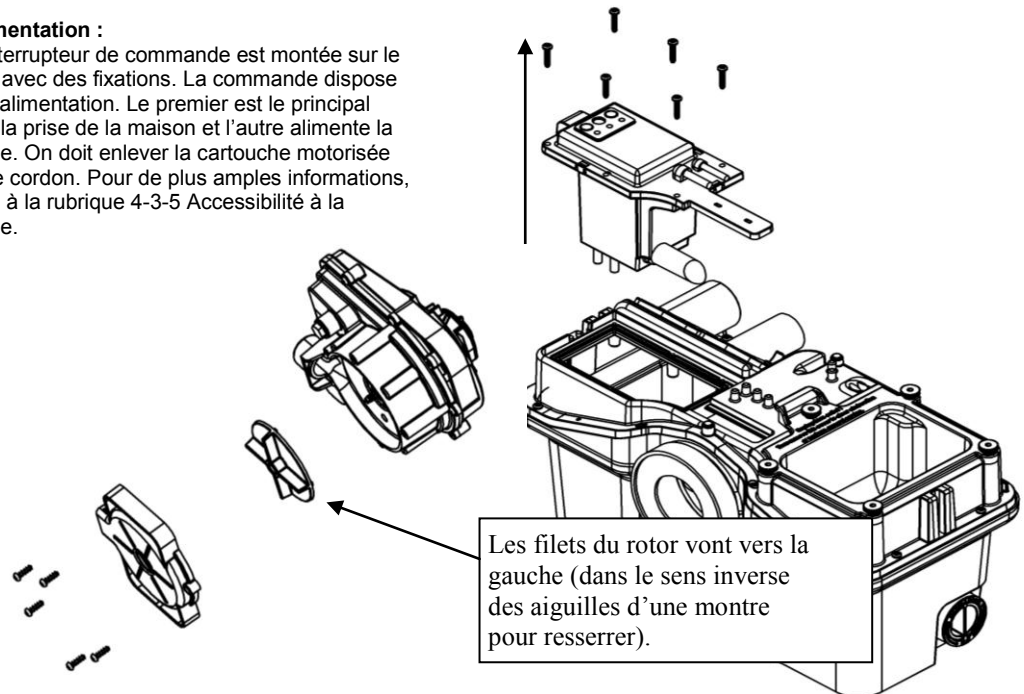
Une fois la partie inférieure de la cartouche motorisée accessible, on peut retirer les fixations qui retiennent la volute et séparer celle-ci en l'écartant. On peut maintenant nettoyer au besoin la chambre du rotor ou on peut remplacer celui-ci. REMARQUE : Les filets du rotor vont vers la gauche. Pour le retrait, utiliser un tournevis à filets interrompus pour retenir le manche et tourner le rotor dans le sens des aiguilles d'une montre.

**4-3-7 Tuyaux d'interconnexion :**

un boyau raccorde l'évacuation de la cartouche du moteur (pompe) à la bride d'évacuation. Pour enlever ce boyau, suivre la procédure de retrait de la bride d'évacuation et de la cartouche motorisée. Les deux extrémités du boyau sont fixées avec des pinces.

**4-3-8 Interrupteur d'alimentation :**

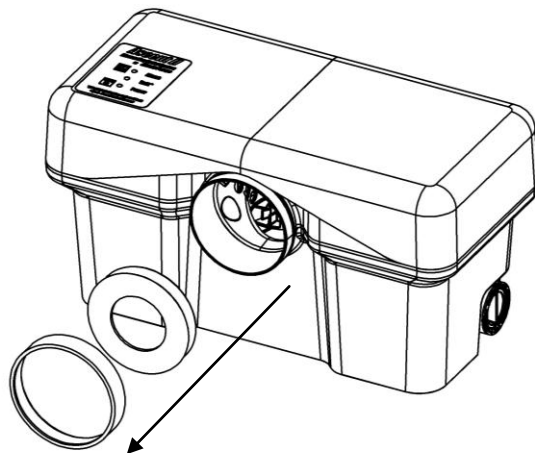
la cartouche de l'interrupteur de commande est montée sur le couvercle principal avec des fixations. La commande dispose de deux cordons d'alimentation. Le premier est le principal qui se branche sur la prise de la maison et l'autre alimente la cartouche motorisée. On doit enlever la cartouche motorisée pour débrancher ce cordon. Pour de plus amples informations, voir les instructions à la rubrique 4-3-5 Accessibilité à la cartouche motorisée.





#### 4-3-9 Anneau d'étanchéité de la toilette :

Le joint entre la toilette et la pompe déchiqueteuse consiste en un anneau de caoutchouc raccordé à cette dernière dans lequel glisse la toilette. L'anneau de caoutchouc s'étire et forme un joint autour de l'emboîtement d'évacuation de la toilette. Cet anneau de caoutchouc est remplaçable en dégrafant la bride de retenue en plastique et en tirant l'anneau vers l'extérieur. L'installation est inversée. Glisser d'abord l'anneau de caoutchouc sur la pompe déchiqueteuse, puis l'anneau de retenue.



## 5. Guide de dépannage

### 5-1 AVANT DE CONSULTER LA GRILLE DE DÉPANNAGE

- 5-1-1 Vérifier le système de plomberie. Actionner la chasse et s'assurer que le réservoir est alimenté en eau.
- 5-1-2 Vérifier le système électrique. S'assurer que le disjoncteur de fuite de terre (différentiel) et la prise protégée sont sous tension. Vérifier l'état du disjoncteur ou du fusible. S'assurer que la fiche est solidement en place. Si le dispositif de protection thermique contre les surcharges de la pompe s'est déclenché, cela prend environ 20 minutes avant que la pompe ne redémarre.
- 5-1-3 S'assurer que les couvercles décoratifs sont installés et tout à fait fixés de manière à activer l'interrupteur. La lumière verte ne doit pas clignoter lorsque l'interrupteur de sécurité est adéquatement activé.
- 5-1-4 Vérifier le système hydraulique. Vérifier si le tuyau d'évacuation et l'évent ne sont pas bloqués.
- 5-1-5 Si la pompe déchiqueteuse tourne de façon intermittente sans actionner la chasse d'eau de la toilette ou sans recueillir la vidange d'eau de l'évier, de la douche ou de la baignoire, vérifier la présence de fuites de la soupape de chasse du réservoir de la toilette.

## 5-2 GRILLE DE DÉPANNAGE

**⚠ MISE EN GARDE** DANGER D'ÉLECTROCUTION. TOUJOURS COUPER L'ALIMENTATION ÉLECTRIQUE DE LA POMPE DÉCHIQUETEUSE AVANT D'Y EFFECTUER DES RÉPARATIONS.

PROBLÈME	CAUSE	SOLUTION
<p>La chasse d'eau fonctionne normalement, mais le contenu s'écoule lentement de la cuvette.</p> <ul style="list-style-type: none"> <li>■ La pompe déchiqueteuse semble normale et elle fonctionne pendant 4 secondes, puis après un certain temps, fonctionne pendant 4 secondes.</li> <li>■ AUCUNE alarme</li> </ul>	L'eau pénètre lentement dans le bac à eaux usées de la pompe déchiqueteuse.	
	La toilette ou la rallonge d'évacuation peuvent être bloquées.	Il faut nettoyer les conduits.
	Évent inefficace	Le dispositif de ventilation de l'appareil doit déboucher à l'air libre afin de permettre à l'eau de pénétrer dans le réservoir de déchiquetage. Il faut confirmer que l'évent est libre. <b>NE PAS UTILISER DE TUYAU D'ÉVENT RAPIDE.</b>
	Accumulation dans le panier filtrant.	Actionner la chasse avec de l'eau propre et permettre à la déchiqueteuse d'évacuer les résidus. Si l'appareil n'arrive pas à régler par lui-même le problème de blocage, le couvercle d'accès devrait être enlevé pour un nettoyage manuel. <b>Voir la section 4.</b>
<p>La chasse d'eau fonctionne normalement, mais le contenu ne s'écoule pas de la cuvette.</p> <ul style="list-style-type: none"> <li>■ La pompe déchiqueteuse semble normale et fonctionne pendant 4 secondes, puis s'arrête.</li> <li>■ AUCUNE alarme</li> </ul>	L'eau n'arrive pas à entrer dans le bac à eaux usées de la pompe déchiqueteuse.	
	La conduite d'évacuation de la toilette ou la rallonge d'évacuation peuvent être bloquées.	Il faut nettoyer les conduits.
	L'appareil n'est pas ventilé adéquatement.	Le dispositif de ventilation de l'appareil doit déboucher à l'air libre afin de permettre à l'eau de pénétrer dans le réservoir de déchiquetage. Il faut confirmer que l'évent est libre. <b>NE PAS UTILISER DE TUYAU D'ÉVENT RAPIDE.</b>

<p><b>La chasse d'eau fonctionne normalement, mais le contenu ne s'écoule pas de la cuvette.</b></p> <ul style="list-style-type: none"> <li>■ La pompe déchiqueteuse démarre et semble normale (fonctionne), puis s'arrête après 5 à 10 minutes. Elle redémarre après 30 à 60 minutes.</li> <li>■ L'alarme est activée.</li> </ul>	<p><b>La pompe déchiqueteuse est incapable d'évacuer son bac à eaux usées et elle fonctionne avec protecteur thermique contre les surcharges.</b></p>	
	Rotor endommagé	Remplacer le rotor.
	Clapet de non-retour bloqué en position fermée.	S'assurer que le clapet antiretour fonctionne bien. Sinon, il faut le réparer ou le remplacer.
	Le boyau interne est endommagé ou débranché.	S'assurer que le boyau interne fonctionne bien. Sinon, il faut le remplacer.
	Si la pompe déchiqueteuse a été installée avec un clapet à bille dans la ligne d'évacuation, ce clapet est-il ouvert ?	Ouvrir le clapet à bille
	Poches d'air	La volute dispose d'une voie de passage permettant la circulation de l'air. Cette voie de passage doit être nettoyée pour éviter toute obstruction.
	La prise de la volute est bouchée.	La prise de la volute située au bas de la cartouche de la pompe nécessite un nettoyage pour la déboucher.
<p><b>La chasse d'eau de la toilette fonctionne normalement, mais la pompe déchiqueteuse ne se met pas en marche ou ne fait que ronronner.</b></p> <ul style="list-style-type: none"> <li>■ Le voyant lumineux vert reste allumé (solide).</li> </ul>	<p><b>La pompe déchiqueteuse est bloquée.</b></p>	
	Le couteau ou le rotor est bloqué et empêche le moteur de tourner.	Débloquer le couteau ou le rotor.
	Problème de moteur interne	On doit remplacer la cartouche de la pompe.
<p><b>Accumulation de déchets dans la cuvette.</b></p>	<p><b>La chasse d'eau de la toilette fournit un volume d'eau inadéquat, il y a peut-être un blocage du panier filtrant ou une mauvaise ventilation.</b></p>	
	Niveau inadéquat de l'eau dans le réservoir.	Vérifier et/ou ajuster le mécanisme de remplissage pour que le niveau d'eau atteigne la ligne de référence dans le réservoir.
	Le panier filtrant nécessite un nettoyage.	Enlever les débris du panier filtrant.
	L'appareil n'est pas ventilé adéquatement.	Le dispositif de ventilation de l'appareil doit déboucher à l'air libre afin de permettre à l'eau de pénétrer dans le réservoir de déchiquetage. Il faut confirmer que l'évent est libre. <b>NE PAS UTILISER DE TUYAU D'ÉVENT RAPIDE.</b>

<p><b>La pompe déchiqueteuse ne démarre pas.</b>  <b>■ Le témoin lumineux vert est éteint.</b></p>	<p><b>Aucune alimentation électrique</b></p>	
	<p>Ou bien la pompe déchiqueteuse n'est pas branchée, le disjoncteur est éteint, ou encore la prise protégée par un disjoncteur de fuite de terre différentiel a sauté.</p>	<p>Vérifier la source d'alimentation électrique.</p>
<p><b>Les voyants lumineux de la pompe déchiqueteuse sont éteints lorsque l'on raccorde l'alimentation électrique.</b>  <b>■ Tous les voyants lumineux du panneau d'interface ne sont pas allumés.</b></p>	<p><b>Absence d'alimentation électrique ou mode de protection de la pile.</b></p>	
	<p>Ou bien la pompe déchiqueteuse n'est pas branchée, le disjoncteur est éteint, ou encore la prise protégée par un disjoncteur de fuite de terre différentiel a sauté.</p>	<p>Vérifier la source d'alimentation électrique.</p>
	<p>Le système de commande est en mode de protection de la pile.</p>	<ol style="list-style-type: none"> <li>1. Débrancher la pompe déchiqueteuse de la prise.</li> <li>2. Retirer la pile 9 V qui alimente l'alarme.</li> <li>3. Rebrancher la pompe déchiqueteuse dans la prise.</li> <li>4. Remettre la pile 9 V en place.</li> </ol>
<p><b>La pompe déchiqueteuse ne démarre pas.</b>  <b>■ Le témoin lumineux vert clignote.</b></p>	<p><b>La pompe déchiqueteuse a de l'alimentation électrique, l'interrupteur de sécurité est fermé.</b></p>	
	<p>Le couvercle décoratif n'est pas installé.</p>	<p>Les deux moitiés du couvercle décoratif doivent être installées et bien s'ajuster sur l'appareil.</p>
	<p>Le couvercle décoratif de droite, celui qui se trouve au-dessus du couvercle d'accès, devrait avoir un aimant situé sur un poteau. Cet aimant actionne un interrupteur de sécurité.</p>	<p>Remplacer l'aimant ou le couvercle décoratif de droite au complet.</p>
<p><b>Il se produit des pulsations dans la pompe déchiqueteuse sans raison apparente.</b></p>	<p><b>Plomberie générale</b></p>	
	<p>L'eau fuit du réservoir de la toilette.</p>	<p>Vérifier la soupape de chasse et les composants reliés dans le réservoir.</p>
	<p>Vérifier s'il y a défaillance du clapet de non-retour de la pompe déchiqueteuse.</p>	<p>La bride d'évacuation contient le clapet de non-retour qui a besoin d'être nettoyé ou remplacé.</p>
<p><b>Pendant un cycle de pompage, on entend un cliquetis en provenance de la pompe déchiqueteuse.</b></p>	<p><b>Résidus solides dans le panier.</b></p>	
	<p>Un objet solide d'une dimension supérieure à 1,27 cm (½ po) est coincé dans le panier de coupe de la pompe déchiqueteuse.</p>	<p>Le couvercle d'accès devrait être enlevé pour permettre un nettoyage manuel. Consulter la section 4.</p>

<b>L'alarme se déclenche souvent.</b>	<b>La pompe est incapable de vider le réservoir.</b>	
	Rotor endommagé	Remplacer le rotor.
	La prise de la volute est bouchée.	Nettoyer la prise de la volute.
	Le boyau interne est endommagé.	S'assurer que le boyau interne fonctionne bien. Sinon, il faut le remplacer.
	Poches d'air	La volute a une voie de passage permettant à l'air de circuler. Cette voie de passage doit être débouchée.
	Inscription	Le débit de l'eau qui entre excède la capacité de pompage. Ou bien réduire le débit de l'eau qui entre dans la pompe déchiqueteuse ou encore bien la capacité de refoulement.
<b>L'eau remonte dans le renvoi de la douche.</b> ■ L'alarme n'est pas activée.	<b>Plomberie générale</b>	
	Blocage ou mauvaise inclinaison du tuyau.	Débloquer la tuyauterie ou augmenter la pente du tuyau d'évacuation. Une pente descendante minimum de 21 mm au mètre (1/4 de po au pied) est habituellement adéquate pour une vidange par gravité.
	Les clapets d'entrée de la pompe déchiqueteuse ne fonctionnent pas.	Dégager toute accumulation dans le bac à eaux usées de la pompe déchiqueteuse qui empêche l'ouverture des clapets.
<b>L'eau remonte dans le renvoi de la douche.</b> ■ L'alarme est activée.	<b>Plomberie générale ou remplacement du système.</b>	
	Rotor endommagé	Remplacer le rotor.
	La prise de la volute est bouchée.	Nettoyer la prise de la volute.
	Le boyau interne est endommagé.	S'assurer que le boyau interne fonctionne bien. Sinon, il faut le remplacer.
	Poches d'air	La volute dispose d'une voie de passage permettant la circulation de l'air. Cette voie de passage doit être nettoyée pour éviter toute obstruction.
	Le débit de l'eau qui entre est supérieur à la capacité de la pompe.	L'appareil est en mesure de traiter jusqu'à deux pommes de douche. On devrait éviter les pommes multiples (3 et plus).
	Vérifier s'il y a défaillance du clapet de non-retour de la pompe déchiqueteuse.	La bride d'évacuation contient le clapet de non-retour qui a besoin d'être nettoyé ou remplacé.

<b>Pendant la vidange de la baignoire, l'alarme se déclenche et/ou l'eau refoule dans la toilette.</b>	<b>Plomberie générale</b>	
	Le débit entrant est supérieur à celui que la pompe déchiqueteuse peut traiter.	On devrait installer une soupape à bille entre la baignoire et la pompe déchiqueteuse, diminuer le régime ou fermer partiellement cette soupape jusqu'à ce que la pompe puisse traiter le débit de drainage en provenance de la baignoire.
<b>La pompe déchiqueteuse fonctionne bruyamment.</b>	<b>Plomberie générale</b>	
	Cliquetis de la tuyauterie	On devrait fixer solidement la plomberie d'évacuation et de ventilation à l'aide de fixations adéquates.
	Corps étrangers dans les cavités du couteau.	Le couvercle d'accès devrait être enlevé pour permettre un nettoyage manuel; consulter la section 4.

## 7. Garantie limitée de 3 ans

**\*REMARQUE :** Liberty Pumps, Inc. n'est pas responsable des dommages ou blessures résultant d'un démontage sur le terrain. Le démontage effectué ailleurs que chez Liberty Pumps ou à l'un de ses centres de services autorisés annule automatiquement la garantie.

Liberty Pumps, Inc. garantit que les pompes sortant de son usine sont exemptes de tout défaut de matériau et de fabrication pour une période de 3 ans à partir de la date d'achat. La date d'achat sera établie par une facture d'achat datée indiquant les numéros de modèle et de série de la pompe. La pompe retournée doit être accompagnée de la facture d'achat datée si la date de retour se situe à plus de 3 ans du numéro de « CODE » (date de fabrication) indiqué sur la plaque signalétique de la pompe.

L'obligation de garantie du fabricant se limite à la réparation ou au remplacement de toute pièce jugée défectueuse par le fabricant, à condition que la pièce ou l'appareil soit retourné franco de port au fabricant ou à son centre de service autorisé et à condition qu'il n'y ait aucune preuve que les critères suivants annulant la garantie sont en cause.

Le fabricant ne peut en aucun cas être tenu responsable, selon les dispositions de cette garantie, si le produit n'a pas été correctement installé; s'il a été démonté, modifié, soumis à un usage abusif ou endommagé; si le cordon électrique a été coupé, endommagé ou ligaturé; si la taille du tuyau d'évacuation de la pompe a été réduite; si la pompe a été utilisée pour pomper de l'eau d'une température supérieure aux recommandations ci-dessus ou de l'eau contenant du sable, de la chaux, du ciment, du gravier ou autres matières abrasives; si le produit a été utilisé pour pomper des produits chimiques ou des hydrocarbures; si un moteur non submersible a été exposé à de l'humidité excessive; ou si l'étiquette portant le numéro de série, de modèle et de code a été retirée. Liberty Pumps, Inc. ne pourra être tenue responsable des pertes, dommages, frais attribuables à l'installation ou l'utilisation de ses produits ni pour les dommages accessoires ou consécutifs, y compris les coûts de retrait, de réinstallation ou de transport.

Il n'y a aucune autre garantie expresse. Toute garantie implicite, y compris celles de qualité marchande et d'aptitude à une fin particulière est limitée à trois ans à partir de la date d'achat.

Cette garantie contient le recours exclusif de l'acheteur et exclut, lorsque permis par la loi, toute responsabilité pour dommages consécutifs ou accessoires en vertu de toutes autres garanties.



7000 Apple Tree Avenue  
Bergen (NY) 14416  
Téléphone : 1 800 543-2550  
Télécopieur : 585 494-1839  
[www.libertypumps.com](http://www.libertypumps.com)