

Revitalize & Energize Air Conditioning Systems with



Part Number: 4057-55

Nu-Calgon's A/C Re~New is a specially formulated treatment with years of proven field history in enhancing the performance of air conditioning and heat pump systems.

- Quiets noisy compressors
- Reduces energy consumption - lowers starting and running amps
- Improves heat transfer in evaporators
- Aids with sticking valves
- Great for new and old R-22 and R-410A systems

A/C Re~New is an established treatment for residential air conditioning systems, particularly older systems where performance may have diminished over the years.

Extensive testing of the technology in actual installations has shown its ability to lower energy consumption on average by 11%. The same testing revealed noise reduction and improved cooling performance.

Visit www.nucalgon.com for more information.

4 fluid oz. unpressurized can	4057-55
1 qt. unpressurized can	4057-54
A/C Re~New Injector Tool - 4 oz. capacity	4057-99

A/C Re~New Injector Tool

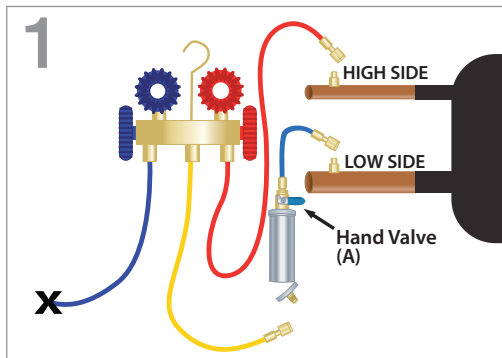


See reverse side for directions on how to install A/C Re~New into a system.



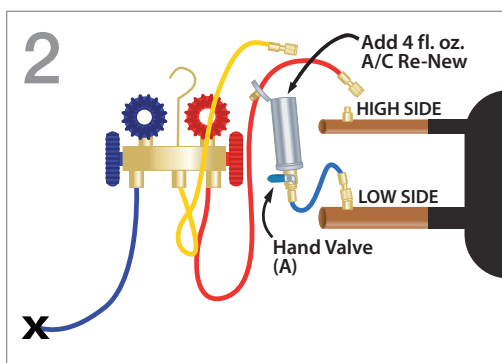
A/C Re~New Injector Tool - Directions for Use

The A/C Re~New Injector was designed to inject A/C Re~New into air conditioning and refrigeration systems. It has a capacity of 4 fl. oz. and can be used for other injectable products as well. It is constructed of rugged aluminum and has a maximum working pressure of 600 psi. It has a Schrader fitting at one end and hand valve with a short length of hose at the other end.



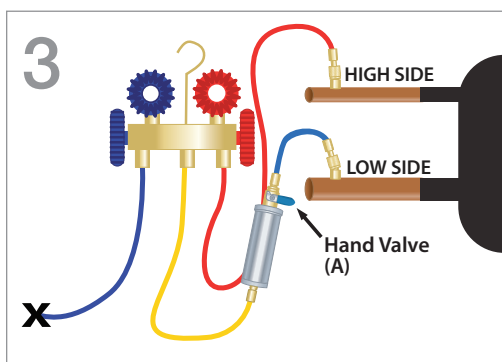
STEP 1:

- Make sure system is running and low side and high side service ports are properly identified. If unit is a heat pump, be sure it is in cooling mode. Hand-valve (A) must be closed.
- Unscrew the aluminum injector cap with 1/4" male inlet fitting.
- Connect the 1/4" SAE fitting of blue hose to suction service port of system.
- Crack open hand valve (A) on injector to chase the remaining air out of the blue hose, then close hand valve (A).



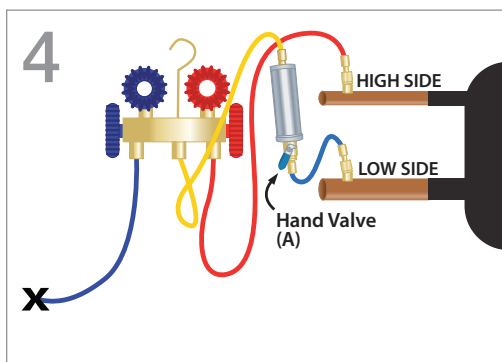
STEP 2:

- Pour in 4 fl. oz. of Nu-Calgon A/C Re~New.
- Recap the A/C Injector with the aluminum cap with 1/4" male inlet fitting. Make sure the cap is hand tight to ensure a good seal is made at the cap.



STEP 3:

- Make sure both valves on gauge set are closed. Connect high side (red) line of manifold gauge set to the high side service port.
- Barely thread the middle manifold hose (yellow) to the 1/4" male inlet fitting of the A/C Re~New Injector Tool (side opposite of the valve/blue hose). Do not thread to the point of depressing the Schrader core.
- Briefly crack open high side manifold valve to purge air out of the yellow hose, then quickly tighten yellow hose fitting at the injector, and close high side manifold valve.



STEP 4:

- Open injector hand valve (A) so A/C Re~New will be allowed to flow from injector into the low side of the system.
- Briefly open high side valve of the manifold gauge set to allow a little high side liquid to flow through the yellow hose/injector. Close high side manifold valve. Repeat process as necessary for a one minute duration for A/C Re~New to be fully injected into the low side of the system.
- Close high side valve of the manifold gauge set and wait an additional one minute for the injector assembly to equalize to suction pressure.
- Fully close hand valve (A) on A/C Re~New Injector and remove blue hose from suction service port.
- Once disconnected from system, slowly open hand valve (A) on injector so it equalizes the assembly to atmospheric pressure - ensure outlet fitting is pointed toward the ground. Close hand valve (A).
- Ensure injector remains capped to prevent contamination on its next use.

