

## Boiler Stand, Order No. 7133 072, 7133 073, 7133 074, 7133 075, 7133 076

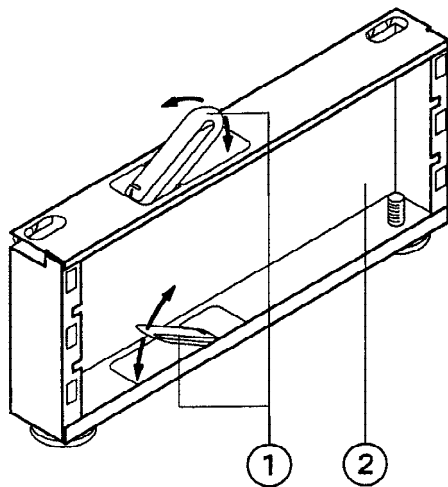
for Vitorond 100, 200

Please file in Service Binder

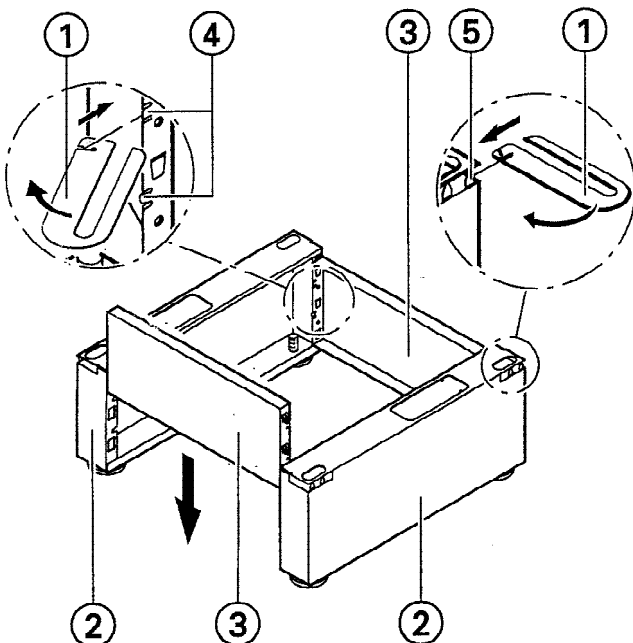
### Working on the equipment

The installation, adjustment, service, and maintenance of this product must be done by a **licensed professional heating contractor** who is qualified and experienced in the installation, service, and maintenance of hot water boilers.

## Assembly

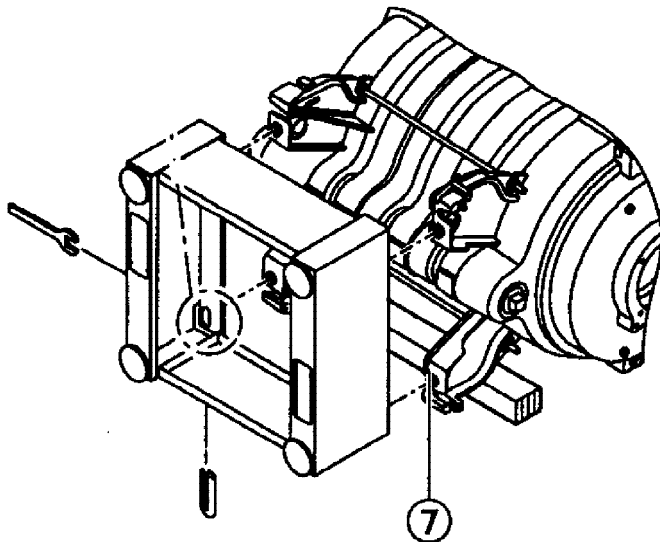
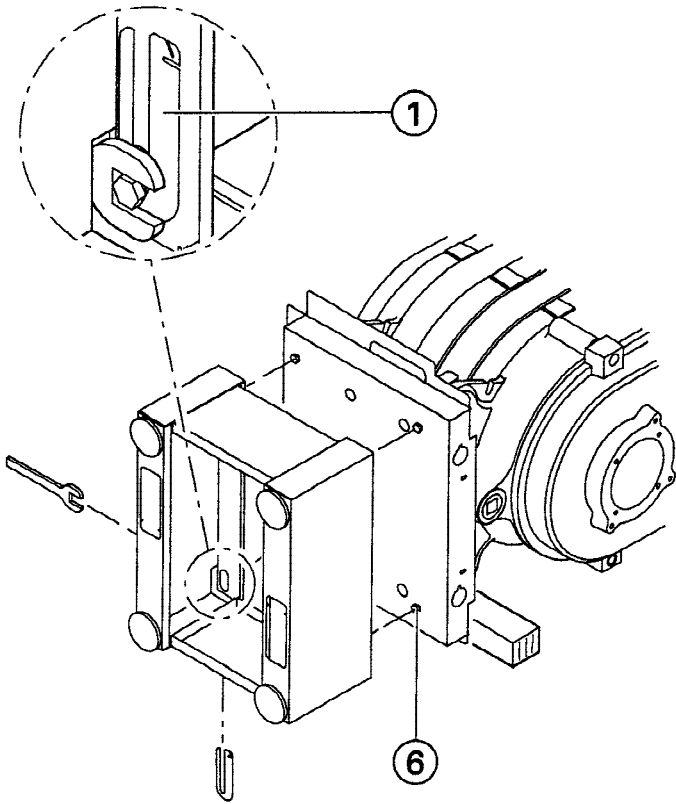


1. Remove installation keys ① (4 pieces, for later use as washers) from frame panels ②.



2. Slide side panels ③ fully and completely into frame panels ②.
3. Bend locking tabs ④ using an installation key ①.
4. Using an installation key ①, break tabs ⑤ off of frame panels ②.

## Installation



1. Lay boiler on its side, elevated by a block of wood.
2. Mount Boiler Stand on boiler using four hex bolts (6) which can thread up to .4" / 10 mm into the boiler base rail.
3. Position Boiler Stand in such a way that the hex bolts slide through the elongated base holes.
4. Slide installation keys (1) (4 pieces) as washers under hex bolts.
5. Reposition Boiler Stand and tighten hex bolts.
6. Place boiler in upright position.

Printed on environmentally friendly  
(recycled and recyclable) paper.



Technical information subject to change without notice.

5167 440 v1.4