

THIS SPACE FOR DESIGNER/ENGINEER APPROVAL

Job/Customer _____	Date _____	Contractor _____
Model Specified _____	Qty _____	Approved By _____
Designer/Engineer _____	Date _____	Contractor's PO# _____
Submitted by _____	Date _____	Other _____

5444 Series

Tankless Water Heater Service Valve Kits
Hot & Cold Set of Full Port Forged Brass Ball Valves
w/ Hi-Flow Hose Drains, Pressure Relief Valve Outlet
& Adjustable Packing Gland
IPS Union x SWT
500 WOG



LEAD FREE CLEAN BRASS
 THE CLEAR CHOICE FOR THE PROFESSIONAL

Standard brass products conform to NSF/ANSI 61-8
 Lead free products are certified to NSF/ANSI 61 & NSF/ANSI 372

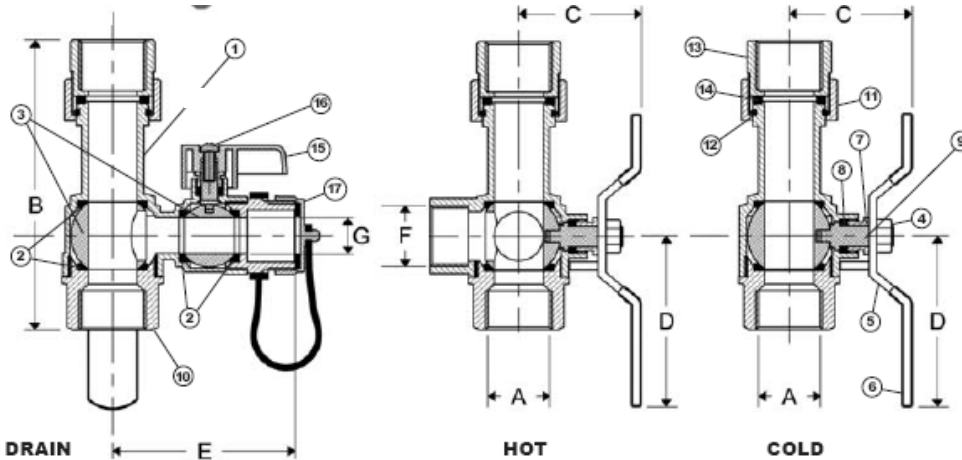
STANDARD BRASS ITEM #	LEAD FREE ITEM#	SIZE	CTN	CASE	A	B	C	D	E	F	G
RESIDENTIAL PRESSURE RELIEF VALVE (150 PSI/200,000 BTU)											
54443PR	54443WPR	3/4	1	10	3/4	4 3/4	1 5/8	2 5/8	2 3/4	3/4	1/2
54444PR	54444WPR	1	1	10	1	5 1/8	2 3/8	2 3/8	2 3/4	3/4	3/4
RESIDENTIAL PRESSURE RELIEF VALVE (30 PSI/200,000 BTU)											
54443PR3	54443WPR3	3/4	1	10	3/4	4 3/4	1 5/8	2 5/8	2 3/4	3/4	1/2
54444PR3	54444WPR3	1	1	10	1	5 1/8	2 3/8	2 3/8	2 3/4	3/4	3/4
COMMERCIAL PRESSURE RELIEF VALVE (150 PSI/2,703,000 BTU) & 3/4" CLOSE NIPPLE											
54443PR2	54443WPR2	3/4	1	6	3/4	4 3/4	1 5/8	2 5/8	2 3/4	3/4	1/2
54444PR2	54444WPR2	1	1	6	1	5 1/8	2 3/8	2 3/8	2 3/4	3/4	3/4



PATENTED TECHNOLOGY

TEMP °F	PSI
100	500
150	408
180	398

NO.	DESCRIPTION	MATERIAL
1	BODY	BRASS
2	SEATS	PTFE
3	BALL	BRASS HCP
4	HANDLE NUT	STAINLESS STEEL
5	WING STYLE "T" HANDLE	STEEL CP
6	HANDLE JACKET	VINYL
7	PACKING GLAND	BRASS
8	STEM SEAL	PTFE
9	STEM	BRASS
10	END CAP	BRASS
11	UNION NUT	BRASS
12	RETAINING RING	STAINLESS STEEL
13	UNION FITTING	BRASS
14	WASHER	EPDM
15	DRAIN VALVE HANDLE	ENAMEL COATED ALUMINUM
16	DRAIN VALVE HANDLE SCREW	BRASS
17	CAP & STRAP	BRASS W/ EPDM HOSE WASHER & STRAP



Included w/ 5444PR & PR3	Included w/ 5444PR2
<p>Residential Pressure Relief Valve Available in 30 PSI or 150 PSI 200,000 btu</p>	<p>Commercial Pressure Relief Valve 150 PSI / 2,703,000 btu & 3/4" Close Nipple</p>

Specifications: Designed for residential or commercial use with potable water. This approved Webstone valve is actuated by a blowout proof stem and features an adjustable packing gland. Solder joint temperature ratings are per ASME B16.18 Annex A for 95-5 solder. Other solder materials have lower pressure/temperature limits. Do not silver braze or overheat valves when soldering.

Quality and Commitment Since 1954



www.webstonevalves.com · P: (800) 225-9529 · F: (800) 336-5133

Webstone product specifications in U.S. customary units are approximate and are provided for reference only. Webstone reserves the right to change or modify product design, construction, specifications or materials without prior notice and without incurring any obligation to make such changes and modifications on Webstone products previously or subsequently sold.

5444-5444Wspec_112812