

THIS SPACE FOR DESIGNER/ENGINEER APPROVAL

Job/Customer _____	Date _____	Contractor _____
Model Specified _____	Qty _____	Approved By _____
Designer/Engineer _____	Date _____	Contractor's PO# _____
Submitted by _____	Date _____	Other _____

7420-7520 Series

Thermostatic Mixing Valve w/ Integral Check Valves

Suitable for Point of Use, Hydronic & Water Distribution Systems

Outlet Temperature Range 95-131°F

Lead Free

150 PSI



ASSE 1070, ASSE 1017,
CSA B125.3, NSF/ANSI-61,
NSF/ANSI-372

ITEM #	SIZE	CTN	CASE	A	B	C	D	E	F	Cv
MIP										
74202W	½"	1	10	1 3/4	2 15/16	5 1/2	3 1/16	1 9/16	1 3/4	1.4
CxC										
75202W	½"	1	10	1 3/4	2 15/16	5 1/2	3 1/16	1 9/16	1 3/4	1.4



Outlet Temperature Range	95-131°F (35-55°C)
Maximum hot supply	185°F max (85°C)
Maximum cold supply	43-80°F (6°C)
Temperature stability ¹ (nominal)	± 3°F (± 1°C)
Temperature differential ² (between hot supply and outlet temperature)	20°F (11°C)
Working pressure	30-150 psi (2-10 bar)
Permitted inlet supply pressure variation ³	2:1
Flow rate, minimum	1.0 gpm (4 L/min)

- As tested in accordance with ASSE1017.
- This is the minimum difference required between the valve outlet temperature and the hot supply temperature to enable the valve to function correctly and ensure shut-off of outlet flow in the event of cold supply failure.
- Maximum permitted variation in either supply pressure in order to control the outlet temperature to within ±3°F. Excessive changes in supply pressures may cause changes in outlet temperature.



Quality and Commitment Since 1954

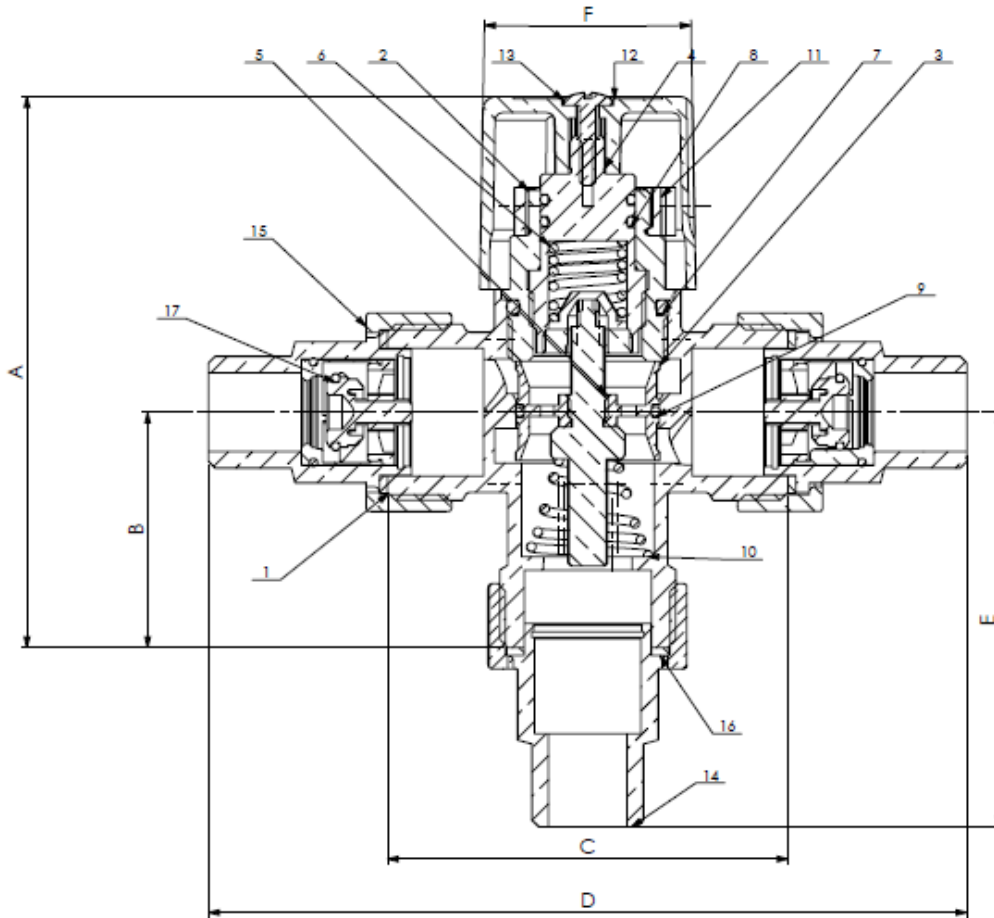
www.webstonevalves.com · Tel: (800) 225-9529 · Fax (800) 336-5133

Webstone product specifications in U.S. customary units are approximate and are provided for reference only. Webstone reserves the right to change or modify product design, construction, specifications or materials without prior notice and without incurring any obligation to make such changes and modifications on Webstone products previously or subsequently sold.

74-7520WSpec_090913

THIS SPACE FOR DESIGNER/ENGINEER APPROVAL

Job/Customer _____	Date _____	Contractor _____
Model Specified _____	Qty _____	Approved By _____
Designer/Engineer _____	Date _____	Contractor's PO# _____
Submitted by _____	Date _____	Other _____



NO.	DESCRIPTION	MATERIAL
1	BODY	BRASS
2	END CAP	BRASS
3	PISTON	BRASS HCP
4	SPINDLE	BRASS
5	ELEMENT	WAX FILLED COPPER
6	SPINDLE SPRING	STAINLESS STEEL
7	O-RING	EPDM
8	O-RING	EPDM
9	O-RING	EPDM
10	SPRING	STAINLESS STEEL
11	LOCKING RING	PLASTIC
12	ADJUSTMENT CAP	PLASTIC
13	LOCKING SCREW	STAINLESS STEEL
14	UNION FITTING	BRASS
15	UNION NUT	BRASS
16	GASKET	FIBRE H
17	CHECK VALVE	PLASTIC

Specifications: Designed for residential, commercial or industrial use with water. Threaded ends comply with ANSI B1.20.1. Solder joint temperature ratings are per ASME B16.18 Annex A for 95-5 solder. Other solder materials have lower pressure/temperature limits. Do not silver braze or overheat valves when soldering.



Quality and Commitment Since 1954

www.webstonevalves.com · Tel: (800) 225-9529 · Fax (800) 336-5133

Webstone product specifications in U.S. customary units are approximate and are provided for reference only. Webstone reserves the right to change or modify product design, construction, specifications or materials without prior notice and without incurring any obligation to make such changes and modifications on Webstone products previously or subsequently sold.

74-7520WSpec_090913