



PRO Series® Food Waste Disposers



PRO 1100XL® Evolution Series®

For those who enjoy the very best kitchen appliances.

Specifications

Submittal Sheet

The ultimate in disposer performance. Nothing grinds more with less noise.

- **SoundSeal®** technology delivers ultra-quiet performance. Hold a conversation with normal voices in the same room.
- **MultiGrind®** technology delivers 3 stages of grind vs. 1 stage in standard disposer.
- **Exclusive Jam-Sensor®** Circuit feature. Increases motor torque 500% to automatically break through the toughest jams.
- Includes sound-reducing **Quiet Collar®** Sink Baffle containing antimicrobial material.
- Made in USA exclusively for professional plumbing contractors.

Type of Feed	Continuous
On/Off Control	Wall Switch
Motor	Single Phase
HP	1.1
Reversing	Auto-Reverse Grind System® feature
Volts	120
HZ	60
RPM	1725
Amp. (Avg. Load)	12.3
Time Rating	Intermittent
Lubrication	Permanently Lubricated Upper & Lower Bearings
Shipping Weight (Approx.)	24.3 lbs.
Unit Finish	Stainless Steel Black
Overall Height	13"
SoundSeal Plus Technology	Anti-Vibration Mount® Anti-Vibration Tailpipe Mount™ Antimicrobial Quiet Collar® Sink Baffle Multi-Layer SoundLimiter™ Insulation
MultiGrind Plus Technology	GrindShear Ring® Tri-Action Lug System™ feature Undercutter Disk® Jam-Sensor® Circuit
Grind Chamber Capacity	40 oz.
Motor Protection	Manual Reset Overload
Average Water Usage	Approx. 1 Gallon Per Person Per Day
Average Electrical Usage	3-4 KWh Per Year
Drain Connection	1-1/2" Anti-Vibration (Hose Clamp)
Dishwasher Drain Connection	Yes

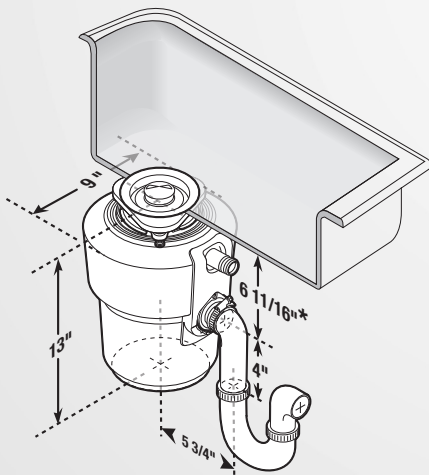
Sample Specification

Food Waste Disposer(s) shall be InSinkErator Model PRO 1100XL® with MultiGrind® and SoundSeal® technologies, 1.1 HP motor, Auto-Reverse Grind System® feature, Stainless Steel Grind Chamber and components.

Warranty:
We Come To You® 12-Year In-Home Limited Warranty.

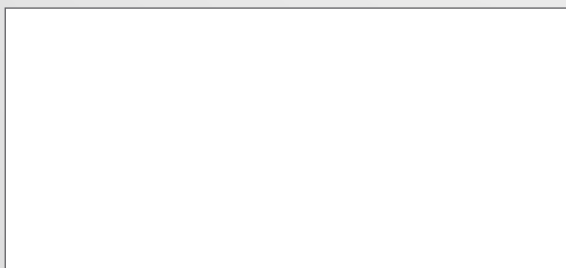
* The complete InSinkErator warranty is included in the Care & Use Booklet packed with each unit.

Dimensions



* Add 1/2" when stainless steel sinks are used.

Job Specifications



MADE IN USA™ Disposers are designed and manufactured in the USA with over 80% domestic content



The mark of responsible forestry
BV-COC-080715
© 1996 Forest Stewardship Council A.C.



The Emerson logo is a trademark and service mark of Emerson Electric Co. The mounting collar configuration is a trademark of Emerson Electric Co. Quick Lock® is a registered trademark of Emerson Electric Co.

InSinkErator may make improvements and/or changes in the specifications at any time, in its sole discretion, without notice or obligation and further reserves the right to change or discontinue models.

1-800-558-5700
www.insinkerator.com